



IMM

Flange sae / sae Flange

IMM **Hypress**
IMM Group

● ● ● ● ● ● ● ● **Flange SAE**

Pagina / Page	4	5	6	7	8	9
BSP Flanges						
	FG0 (3/6) BSP Threaded Flanges	CG0 (3/6) BSP Threaded Counter Flanges	PG0 (3/6) Bsp Threaded Flat Flanges	DG0 (3/6) BSP Threaded Double Flanges	NG0 (3/6) BSP Threaded 90° Flanges	BG0 (3/6) BSP Threaded 90° Flanges
	Pagina / Page	10	11	12	13	
	BSP Flanges			METRIC Flanges		
		FDG (3/6) 60° Tapered Seat BSP Threaded Flanges	NOG (3/6) 90° Flanges With 60° Tapered Seat And BSP		FDD (3/6) DIN 2353 Metric Threaded Flanges	NOD (3/6) DIN 2353 Metric Threaded 90° Flanges
	Pagina / Page	14	15	16	17	
	NPT Flanges					
FN0 (3/6) NPT Threaded Flanges		CN0 (3/6) NPT Threaded Counter Flanges	DN0 (3/6) NPT Threaded Double Flanges	NN0 (3/6) NPT Threaded 90° Flanges		
Pagina / Page		18	19	20	21	22
JIC Flanges				UN Flanges		
	FDJ (3/6) JIC Threaded Flanges	NOJ (3/6) JIC Threaded 90° Flanges	FU0 (3/6) UN Threaded Flanges		CU0 (3/6) UN Threaded Counter Flanges	NU0 (3/6) UN Threaded 90° Flanges
Pagina / Page	23	24	25	26		
Weld in Flanges						
	FS0 (3/6) Weld In Flanges	CS0 (3/6) Weld In Counter Flanges	FSM (3/6) Metric Pipe Weld In Flanges	CSM (3/6) Metric Pipe Weld In Counter Flanges		
	Pagina / Page	27	28	29	30	
	Weld in Flanges					
NS0 (3/6) Weld In 90° Flanges		NSM (3/6) Metric Pipe Weld In 90° Flanges	VSM (3/6) Weld In 90° Counter Flanges	BS0 (3/6) Weld In 90° Flanges		

Dimensions and general characteristics may be changed at any time without prior notice.

Data contained herein are for information purpose only, and it does not enlarge, amend or imply any warranty other than provided by us with the product
Any use of the product not in conformance with our instructions may be dangerous.

● ● ● ● ● ● ● ● **Flange SAE**

Pagina / Page 31 32 33 33

Weld in flat Flanges



PS0 (3)

Weld In Flat Flanges



LS0 (3)

Weld In Flat Counter Flanges

Flat Flanges



FFTR

Pocket Flat Flanges



FFOR

Flat Flanges With Through Hole

Pagina / Page 34 35

Oval Flanges



FFOR (2F)

Oval Flanges With Through Hole

Check Pressure



FFC (3/6)

Check Pressure SAE Flange

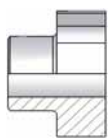
Pagina / Page 36 37 38 39 40

Weld on Flanges



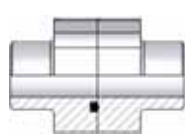
FB0 (3/6)

Weld on Flanges



CB0 (3/6)

Weld on Counter Flanges



DB0 (3/6)

Weld on Double Flanges



FBM (3/6)

Metric Pipe Cylindric Hole Weld On Flanges



CBM (3/6)

Metr. Pipe Cyl. Hole weld on counter flanges

Pagina / Page 41 42 43 44

Weld on Flanges



BB0 (3/6)

Weld On 90° Flanges



NB0 (3/6)

Weld On 90° Flanges

Blind Flanges



FC0 (3/6)

Blind Flanges



CC0 (3/6)

Blind Counter Flanges

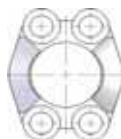
Pagina / Page 45 46 47

Split Flanges



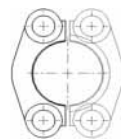
S00 (3/6)

Cut Split Flanges



S10 (3/6)

Uncut Split Flanges

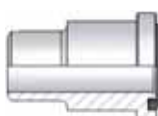


S0P (3/6)

Cut Flat Split Flanges

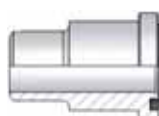
Pagina / Page 48 49

Weld on Adapters



EBM (3/6)

Weld On Adapters for Metric Tube





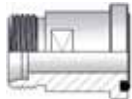

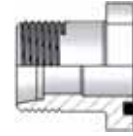



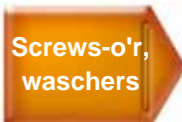


EBO (3/6)

Weld On Adapters

Dimensions and general characteristics may be changed at any time without prior notice.

Data contained herein are for information purpose only, and it does not enlarge, amend or imply any warranty other than provided by us with the product. Any use of the product not in conformance with our instructions may be dangerous.

● ● ● ● ● ● ● **Flange SAE**

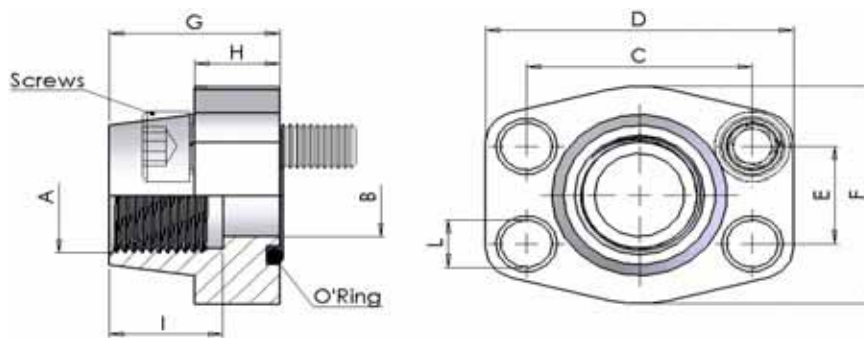
Pagina / Page		50	51		
					
	<p>EOK (3/6) BSP Tapered Threaded Adapters</p>	<p>EOD (3/6) DIN 2353 Metric Threaded Adapters</p>			
Pagina / Page		52	53	54	55
					
	<p>MDD0 DIN 2353 Metr. Threaded Straight Connect.</p>	<p>G4D0 DIN 2353 Metr. Threaded 90° Connect.</p>	<p>G4G0 BSP Threaded 90° Connectors</p>	<p>G3G0 Pump elbows with three fixing holes</p>	
Pagina / Page		56	57		
					
	<p>SCM (3/6) Kit per flange SAE (Metrico)</p>	<p>SCU (3/6) Kit per flange SAE (UNC)</p>			

Dimensions and general characteristics may be changed at any time without prior notice.

Data contained herein are for information purpose only, and it does not enlarge, amend or imply any warranty other than provided by us with the product
Any use of the product not in conformance with our instructions may be dangerous.

FG03 Flange Filettate BSP

FG06 BSP Threaded Flanges



max pressure bar	part number	SAE size	Dimensions										Viti Screws		O' R type
			A	B	C	D	E	F	G	H	I	L	Metric	Unc	

3000 psi

345	FG03-08	1/2"	1/2" GAS	13	38,10	57	17,48	46	36	16	19	9	M8x30	5/16x1"1/4	4075
	FG03-0806	1/2"	3/8" GAS	13	38,10	57	17,48	46	36	16	19	9	M8x30	5/16x1"1/4	4075
	FG03-12	3/4"	3/4" GAS	19	47,63	65	22,23	50	36	18	19	11	M10x35	3/8x1"1/2	4100
	FG03-1208	3/4"	1/2" GAS	13	47,63	65	22,23	50	36	18	19	11	M10x35	3/8x1"1/2	4100
	FG03-16	1"	1" GAS	25	52,37	70	26,19	55	38	18	22	11	M10x35	3/8x1"1/2	4131
	FG03-1612	1"	3/4" GAS	19	52,37	70	26,19	55	35	21	19	11	M10x40	3/8x1"1/2	4131
276	FG03-20	1"1/4	1"1/4 GAS	32	58,72	79	30,18	68	40	21	22	11,5	M10x40	7/16x1"3/4	4150
	FG03-2016	1"1/4	1" GAS	25	58,72	81	30,18	65	42	25	24	11,5	M10x40	7/16x1"3/4	4150
207	FG03-24	1"1/2	1"1/2 GAS	38	69,85	93	35,71	78	45	25	24	13,5	M12x45	1/2x1"3/4	4187
	FG03-2420	1"1/2	1"1/4 GAS	32	69,85	95	35,71	78	45	27	24	13,5	M12x45	1/2x1"3/4	4187
	FG03-32	2"	2" GAS	51	77,77	102	42,88	90	45	25	30	13,5	M12x45	1/2x1"3/4	4225
	FG03-3224	2"	1"1/2 GAS	38	77,77	102	42,88	90	45	25	26	13,5	M12x45	1/2x1"3/4	4225
172	FG03-40	2"1/2	2"1/2 GAS	63	88,90	114	50,80	105	50	25	30	13,5	M12x45	1/2x1"3/4	4275
173	FG03-4032	2"1/2	2" GAS	51	88,90	114	50,80	105	50	25	30	13,5	M12x45	1/2x1"3/4	4275
138	FG03-48	3"	3" GAS	73	106,38	134	61,93	124	50	27	34	17,5	M16x50	5/8x2"	4337
	FG03-4840	3"	2"1/2 GAS	63	106,38	134	61,93	124	50	27	30	17,5	M16x50	5/8x2"	4337
34	FG03-56	3"1/2	3"1/2 GAS	89	120,65	152	69,85	136	48	27	34	17,5	M16x50	5/8x2"	4387
	FG03-5648	3"1/2	3" GAS	73	120,65	152	69,85	136	48	27	34	17,5	M16x50	5/8x2"	4387
	FG03-64	4"	4" GAS	99	130,18	162	77,77	146	48	27	34	17,5	M16x50	5/8x2"	4437

6000 psi

414	FG06-08	1/2"	1/2" GAS	13	40,49	57	18,24	46	36	16	19	9	M8x30	5/16x1"1/4	4075
	FG06-0806	1/2"	3/8" GAS	13	40,49	57	18,24	46	36	16	19	9	M8x30	5/16x1"1/4	4075
	FG06-12	3/4"	3/4" GAS	19	50,80	71	23,80	55	35	21	22	11	M10x40	3/8x1"1/2	4100
	FG06-1208	3/4"	1/2" GAS	13	50,80	71	23,80	55	35	21	22	11	M10x40	3/8x1"1/2	4100
	FG06-16	1"	1" GAS	25	57,15	81	27,76	65	42	25	24	13	M12x45	7/16x1"3/4	4131
	FG06-1612	1"	3/4" GAS	19	57,15	81	27,76	65	42	25	24	13	M12x45	7/16x1"3/4	4131
	FG06-20	1"1/4	1"1/4 GAS	32	66,68	95	31,75	78	45	27	25	15	M14x45	1/2x1"3/4	4150
	FG06-2016	1"1/4	1" GAS	25	66,68	95	31,75	78	45	27	25	15	M14x45	1/2x1"3/4	4150
	FG06-24	1"1/2	1"1/2 GAS	38	79,38	112	36,50	94	50	30	28	17	M16x50	5/8x2"	4187
	FG06-2420	1"1/2	1"1/4 GAS	32	79,38	112	36,50	94	50	30	28	17	M16x50	5/8x2"	4187
	FG06-32	2"	2" GAS	51	96,82	134	44,45	114	65	37	30	21	M20x70	3/4x2"1/2	4225
	FG06-3224	2"	1"1/2 GAS	38	96,82	134	44,45	114	65	37	30	21	M20x70	3/4x2"1/2	4225
	FG06-40	2"1/2	2"1/2 GAS	63	123,80	180	58,70	152	80	45	32	26	M24x80	-	4275
	FG06-48	3"	3" GAS	73	152,40	208	71,40	178	90	55	40	33	M30x100	-	4337

Come Ordinare / How to Order:

Solo Flangia / Only Flange

FG0...08

Flangia completa di viti UNC, rondelle e o-ring

Complete flange with UNC screws, washers and o'ring

FG0...08U

Flangia completa di viti metriche, rondelle e o-ring

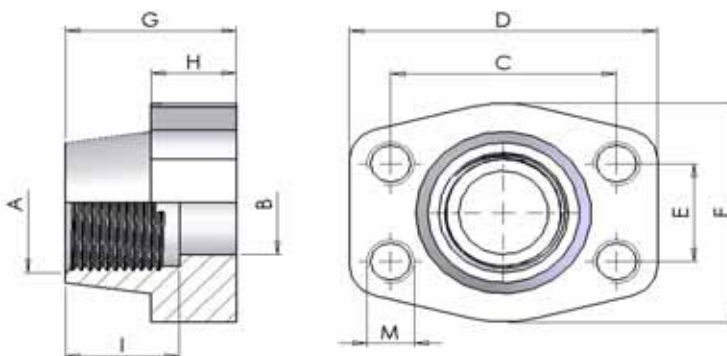
Complete flange with metric screws, washers and o'ring

FG0...08M

CG03 CG06

Controflange Filettate BSP

BSP Threaded Counter-Flanges



max pressure bar	part number	SAE size	Dimensions									Metric M	Unc
			A	B	C	D	E	F	G	H	I		

3000 psi

345	CG03-08	1/2"	1/2" GAS	13	38,10	57	17,48	46	36	16	19	M8	5/16
	CG03-0806	1/2"	3/8" GAS	13	38,10	57	17,48	46	36	16	19	M8	5/16
	CG03-12	3/4"	3/4" GAS	19	47,63	65	22,23	50	36	18	19	M10	3/8
	CG03-1208	3/4"	1/2" GAS	13	47,63	65	22,23	50	36	18	19	M10	3/8
	CG03-16	1"	1" GAS	25	52,37	70	26,19	55	38	18	22	M10	3/8
	CG03-1612	1"	3/4" GAS	19	52,37	70	26,19	55	35	21	19	M10	3/8
276	CG03-20	1 1/4"	1 1/4" GAS	32	58,72	79	30,18	68	40	21	22	M10	7/16
	CG03-2016	1 1/4"	1" GAS	25	58,72	81	30,18	65	42	25	24	M10	7/16
207	CG03-24	1 1/2"	1 1/2" GAS	38	69,85	93	35,71	78	45	25	24	M12	1/2
	CG03-2420	1 1/2"	1 1/4" GAS	32	69,85	95	35,71	78	45	27	24	M12	1/2
	CG03-32	2"	2" GAS	51	77,77	102	42,88	90	45	25	30	M12	1/2
	CG03-3224	2"	1 1/2" GAS	38	77,77	102	42,88	90	45	25	26	M12	1/2
172	CG03-40	2 1/2"	2 1/2" GAS	63	88,90	114	50,80	105	50	25	30	M12	1/2
173	CG03-4032	2 1/2"	2" GAS	51	88,90	114	50,80	105	50	25	30	M12	1/2
138	CG03-48	3"	3" GAS	73	106,38	134	61,93	124	50	27	34	M16	5/8
	CG03-4840	3"	2 1/2" GAS	63	106,38	134	61,93	124	50	27	30	M16	5/8
34	CG03-56	3 1/2"	3 1/2" GAS	89	120,65	152	69,85	136	48	27	34	M16	5/8
	CG03-5648	3 1/2"	3" GAS	73	120,65	152	69,85	136	48	27	34	M16	5/8
	CG03-64	4"	4" GAS	99	130,18	162	77,77	146	48	27	34	M16	5/8

6000 psi

414	CG06-08	1/2"	1/2" GAS	13	40,49	57	18,24	46	36	16	19,0	M8	5/16
	CG06-0806	1/2"	3/8" GAS	13	40,49	57	18,24	46	36	16	19,0	M8	5/16
	CG06-12	3/4"	3/4" GAS	19	50,80	71	23,80	55	35	21	22,0	M10	3/8
	CG06-1208	3/4"	1/2" GAS	13	50,80	71	23,80	55	35	21	22,0	M10	3/8
	CG06-16	1"	1" GAS	25	57,15	81	27,76	65	42	25	24,0	M12	7/16
	CG06-1612	1"	3/4" GAS	19	57,15	81	27,76	65	42	25	24,0	M12	7/16
	CG06-20	1 1/4"	1 1/4" GAS	32	66,68	95	31,75	78	45	27	25,0	M14	1/2
	CG06-2016	1 1/4"	1" GAS	25	66,68	95	31,75	78	45	27	25,0	M14	1/2
	CG06-24	1 1/2"	1 1/2" GAS	38	79,38	112	36,50	94	50	30	28,0	M16	5/8
	CG06-2420	1 1/2"	1 1/4" GAS	32	79,38	112	36,50	94	50	30	28,0	M16	5/8
	CG06-23	2"	2" GAS	51	96,82	134	44,45	114	65	37	30,0	M20	3/4
	CG06-3224	2"	1 1/2" GAS	38	96,82	134	44,45	114	65	37	30,0	M20	3/4
	CG06-40	2 1/2"	2 1/2" GAS	63	123,80	180	58,70	152	80	45	32,0	M24	-
	CG06-48	3"	3" GAS	73	152,40	208	71,40	178	90	55	40,0	M30	-

Come Ordinare / How to Order:

Controflangia con fori di fissaggio metrici
Counter flange with metric tapholes

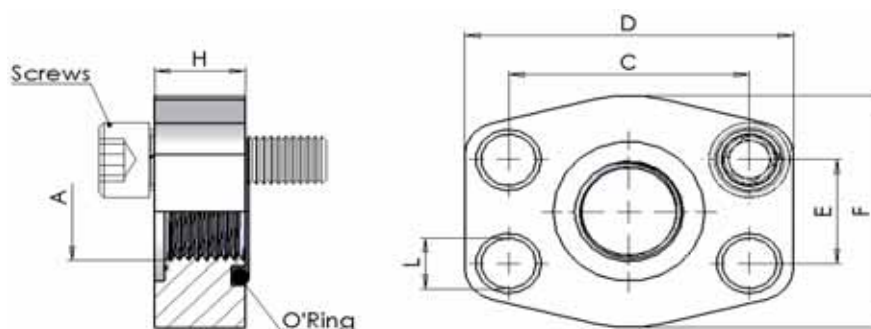
CG0...08

Controflangia con fori di fissaggio UNC
Counter flange with UNC tapholes

CG0...08U

PG03 Flange Piatte Filettate
PG06 BSP

BSP Threaded Flat Flanges



max pressure bar	part number	SAE size	Dimensions							Viti Screws		O' R type
			A	C	D	E	F	H	L	Metric	Unc	

3000 psi

345	PG03-12	3/4"	3/4" GAS	47,63	65	22,23	50	15	11	M10x35	3/8x1"1/2	4100
	PG03-1208	3/4"	1/2" GAS	47,63	65	22,23	50	15	11	M10x35	3/8x1"1/2	4100
300	PG03-16	1"	1" GAS	52,37	70	26,19	60	19	11	M10x35	3/8x1"1/2	4131
	PG03-1612	1"	3/4" GAS	52,37	70	26,19	60	19	11	M10x35	3/8x1"1/2	4131
276	PG03-20	1"1/4	1"1/4 GAS	58,72	79	30,18	68	19	11,5	M10x40	7/16x1"3/4	4150
	PG03-2016	1"1/4	1" GAS	58,72	79	30,18	68	19	11,5	M10x40	7/16x1"3/4	4150
207	PG03-24	1"1/2	1"1/2 GAS	69,85	93	35,71	78	19	13,5	M12x45	1/2x1"3/4	4187
	PG03-2420	1"1/2	1"1/4 GAS	69,85	93	35,71	78	19	13,5	M12x45	1/2x1"3/4	4187
	PG03-32	2"	2" GAS	77,77	102	42,88	90	19	13,5	M12x45	1/2x1"3/4	4225
	PG03-3224	2"	1"1/2 GAS	77,77	102	42,88	90	19	13,5	M12x45	1/2x1"3/4	4225
172	PG03-40	2"1/2	2"1/2 GAS	88,90	114	50,80	105	19	13,5	M12x45	1/2x1"3/4	4275
	PG03-4032	2"1/2	2" GAS	88,90	114	50,80	105	19	13,5	M12x45	1/2x1"3/4	4275
138	PG03-48	3"	3" GAS	106,38	134	61,83	124	23	17,5	M16x50	5/8x2"	4337
	PG03-4840	3"	2"1/2 GAS	106,38	134	61,83	124	23	17,5	M16x50	5/8x2"	4337
34	PG03-56	3"1/2	3"1/2 GAS	120,65	152	69,85	136	21	17,5	M16x50	5/8x2"	4387
	PG03-5648	3"1/2	3" GAS	120,65	152	69,85	136	21	17,5	M16x50	5/8x2"	4387
	PG03-64	4"	4" GAS	130,18	162	77,77	146	24	17,5	M16x50	5/8x2"	4437
	PG03-6456	4"	3"1/2 GAS	130,18	162	77,77	146	24	17,5	M16x50	5/8x2"	4437

6000 psi

414	PG06-12	3/4"	3/4" GAS	50,80	71	23,80	60	19	11	M10x35	3/8x1"1/2	4100
	PG06-1208	3/4"	1/2" GAS	50,80	71	23,80	60	19	11	M10x35	3/8x1"1/2	4100
	PG06-16	1"	1" GAS	57,15	81	27,76	70	23	13	M12x45	7/16x1"3/4	4131
	PG06-1612	1"	3/4" GAS	57,15	81	27,76	70	23	13	M12x45	7/16x1"3/4	4131
	PG06-20	1"1/4	1"1/4 GAS	66,68	95	31,75	78	26	15	M14x45	1/2x1"3/4	4150
	PG06-2016	1"1/4	1" GAS	66,68	95	31,75	78	26	15	M14x45	1/2x1"3/4	4150
	PG06-24	1"1/2	1"1/2 GAS	79,38	112	36,50	94	29	17	M16x50	5/8x2"	4187
	PG06-2420	1"1/2	1"1/4 GAS	79,38	112	36,50	94	29	17	M16x50	5/8x2"	4187
	PG06-32	2"	2" GAS	96,82	134	44,45	114	28	21	M20x60	3/4x2"1/2	4225
	PG06-4024	1"1/2	1"1/2 GAS	96,82	134	44,45	114	28	21	M20x60	3/4x2"1/2	4225

Come Ordinare / How to Order:

Solo Flangia / Only Flange

PG0...12

Flangia completa di viti UNC, rondelle e o-ring

Complete flange with UNC screws, washers and o'ring

PG0....12U

Flangia completa di viti metriche, rondelle e o-ring

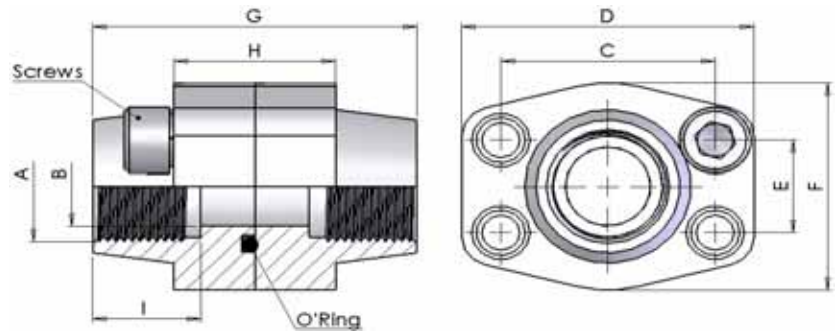
Complete flange with metric screws, washers and o'ring

PG0....12M

DG03 Doppie Flange Filettate BSP

DG06

BSP Threaded Double Flanges



max pressure bar	part number	SAE size	Dimensions									Viti Screws		O' R type
			A	B	C	D	E	F	G	H	I	Metric	Unc	

3000 psi

345	DG03-08	1/2"	1/2" GAS	13	38,10	57	17,48	46	72	32	19	M8x30	5/16x1"1/4	4075
	DG03-0806	1/2"	3/8" GAS	13	38,10	57	17,48	46	72	32	19	M8x30	5/16x1"1/4	4075
	DG03-12	3/4"	3/4" GAS	19	47,63	65	22,23	50	72	36	19	M10x35	3/8x1"1/2	4100
	DG03-1208	3/4"	1/2" GAS	13	47,63	65	22,23	50	72	36	19	M10x35	3/8x1"1/2	4100
	DG03-16	1"	1" GAS	25	52,37	70	26,19	55	46	36	22	M10x40	3/8x1"1/2	4131
	DG03-1612	1"	3/4" GAS	19	52,37	70	26,19	55	70	42	19	M10x40	3/8x1"1/2	4131
276	DG03-20	1"1/4	1"1/4 GAS	32	58,72	79	30,18	68	82	42	22	M10x40	7/16x1"3/4	4150
	DG03-2016	1"1/4	1" GAS	25	58,72	81	30,18	65	84	50	24	M12x45	7/16x1"3/4	4150
207	DG03-24	1"1/2	1"1/2 GAS	38	69,85	93	35,71	78	90	50	24	M12x45	1/2x1"3/4	4187
	DG03-2420	1"1/2	1"1/4 GAS	32	69,85	95	35,71	78	90	54	24	M12x45	1/2x1"3/4	4187
	DG03-32	2"	2" GAS	51	77,77	102	42,88	90	90	50	30	M12x45	1/2x1"3/4	4225
	DG03-3224	2"	1"1/2 GAS	38	77,77	102	42,88	90	90	50	26	M12x45	1/2x1"3/4	4225
172	DG03-40	2"1/2	2"1/2 GAS	63	88,90	114	50,80	105	100	50	30	M12x45	1/2x1"3/4	4275
	DG03-4032	2"1/2	2" GAS	51	88,90	114	50,80	105	100	50	30	M16x50	1/2x1"3/4	4275
138	DG03-48	3"	3" GAS	73	106,38	134	61,93	124	100	54	34	M16x50	5/8"x2	4337
	DG03-4840	3"	2"1/2 GAS	63	106,38	134	61,93	124	100	54	30	M16x50	5/8"x2	4337
34	DG03-56	3"1/2	3"1/2 GAS	89	120,65	152	69,85	136	96	54	34	M16x50	5/8"x2	4387
	DG03-5648	3"1/2	3" GAS	73	120,65	152	69,85	136	96	54	34	M16x50	5/8"x2	4387
	DG03-64	4"	4" GAS	99	130,18	162	77,77	146	96	54	34	M16x50	5/8"x2	4437
	DG03-6456	4"	3"1/2 GAS	89	130,18	162	77,77	146	96	54	34	M16x50	5/8"x2	4437

6000 psi

414	DG06-08	1/2"	1/2" GAS	13	40,49	57	18,24	46	72	32	19	M8x30	5/16x1"1/4	4075
	DG06-0806	1/2"	3/8" GAS	13	40,49	57	18,24	46	72	32	19	M8x30	5/16x1"1/4	4075
	DG06-12	3/4"	3/4" GAS	19	50,80	71	23,80	55	70	42	19	M10x40	3/8x1"1/2	4100
	DG06-1208	3/4"	1/2" GAS	13	50,80	71	23,80	55	70	42	19	M10x40	3/8x1"1/2	4100
	DG06-16	1"	1" GAS	25	57,15	81	27,76	65	84	50	22	M12x45	7/16x1"3/4	4131
	DG06-1612	1"	3/4" GAS	19	57,15	81	27,76	65	84	50	22	M12x45	7/16x1"3/4	4131
	DG06-20	1"1/4	1"1/4 GAS	32	66,68	95	31,75	78	90	54	23	M14x45	1/2x1"3/4	4150
	DG06-2016	1"1/4	1" GAS	25	66,68	95	31,75	78	90	54	23	M14x45	1/2x1"3/4	4150
	DG06-24	1"1/2	1"1/2 GAS	38	79,38	112	36,50	94	100	60	26	M16x50	5/8"x2	4187
	DG06-2420	1"1/2	1"1/4 GAS	32	79,38	112	36,50	94	100	60	26	M16x50	5/8"x2	4187
	DG06-32	2"	2" GAS	51	96,82	134	44,45	114	130	74	30	M20x70	3/4x2"1/2	4225
	DG06-3224	2"	1"1/2 GAS	38	96,82	134	44,45	114	130	74	30	M20x70	3/4x2"1/2	4225

Come Ordinare / How to Order:

 Doppia flangia completa di viti metriche, rondelle e o-ring
 Complete double flange with metric screws, washers and o-ring

DG0...08

 Doppia flangia completa di viti UNC, rondelle e o-ring
 Complete double flange with UNC screws, washers and o-ring

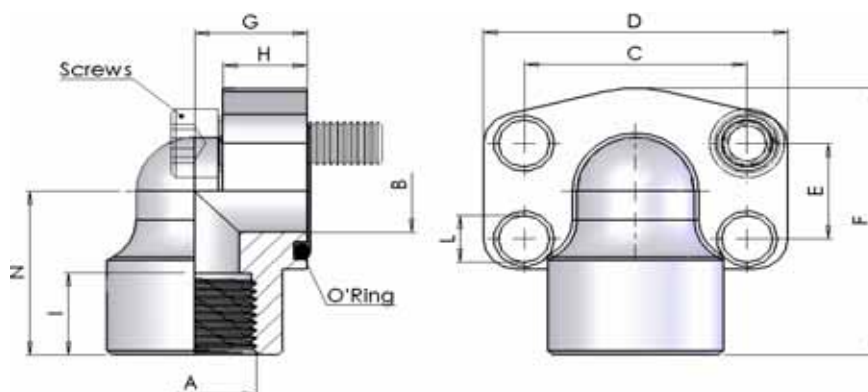
DG0...08U

NG03

Flange 90° Filettate BSP

NG06

BSP Threaded 90° Flanges



max pressure bar	part number	SAE size	Dimensions											Viti Screws		O' R type
			A	B	C	D	E	F	G	H	I	L	N	Metric	Unc	

3000 psi

345	NG03-08	1/2"	1/2" GAS	13	38,10	54	17,48	60	20	16	19	9	37	M8x30	5/16x1"1/4	4075
	NG03-0806	1/2"	3/8" GAS	13	38,10	54	17,48	60	20	16	19	9	37	M8x30	5/16x1"1/4	4075
	NG03-12	3/4"	3/4" GAS	19	47,63	65	22,23	63	24	18	19	11	38	M10x35	3/8x1"1/2	4100
	NG03-1208	3/4"	1/2" GAS	19	47,63	65	22,23	63	24	18	19	11	38	M10x35	3/8x1"1/2	4100
	NG03-16	1"	1" GAS	25	52,37	70	26,19	70	28	19	20	11	43	M10x35	3/8x1"1/2	4131
	NG03-1612	1"	3/4" GAS	25	52,37	70	26,19	70	28	19	20	11	43	M10x40	3/8x1"1/2	4131
276	NG03-20	1"1/4	1"1/4 GAS	32	58,72	79	30,18	85	34	21	22	11,5	51	M10x40	7/16x1"3/4	4150
	NG03-2016	1"1/4	1" GAS	32	58,72	79	30,18	85	34	21	22	11,5	51	M10x40	7/16x1"3/4	4150
207	NG03-24	1"1/2	1"1/2 GAS	38	69,85	93	35,71	95	38	25	25	13,5	56	M12x45	1/2x1"3/4	4187
	NG03-2420	1"1/2	1"1/4 GAS	38	69,85	93	35,71	95	38	25	25	13,5	56	M12x45	1/2x1"3/4	4187
	NG03-32	2"	2" GAS	51	77,77	110	42,88	110	42	25	28	13,5	65	M12x45	1/2x1"3/4	4225
	NG03-3224	2"	1"1/2 GAS	51	77,77	110	42,88	110	42	25	28	13,5	65	M12x45	1/2x1"3/4	4225

6000 psi

414	NG06-08	1/2"	1/2" GAS	13	40,49	54	18,24	60	20	16	19	9	37	M8x30	5/16x1"1/4	4075
	NG06-0806	1/2"	3/8" GAS	13	40,49	54	18,24	60	20	16	19	9	37	M8x30	5/16x1"1/4	4075
	NG06-12	3/4"	3/4" GAS	19	50,80	70	23,80	70	28	19	20	11	43	M10x35	3/8x1"1/2	4100
	NG06-1208	3/4"	1/2" GAS	19	50,80	70	23,80	70	28	19	20	11	43	M10x35	3/8x1"1/2	4100
	NG06-16	1"	1" GAS	25	57,15	79	27,76	85	34	21	22	13	51	M12x45	7/16x1"3/4	4131
	NG06-1612	1"	3/4" GAS	25	57,15	79	27,76	85	34	21	22	13	51	M12x45	7/16x1"3/4	4131
	NG06-20	1"1/4	1"1/4 GAS	32	66,68	93	31,75	95	38	25	25	15	56	M14x45	1/2x1"3/4	4150
	NG06-2016	1"1/4	1" GAS	32	66,68	93	31,75	95	38	25	25	15	56	M14x45	1/2x1"3/4	4150
	NG06-24	1"1/2	1"1/2 GAS	38	79,38	110	36,50	110	42	25	28	17	65	M16x50	5/8x2"	4187
	NG06-2420	1"1/2	1"1/4 GAS	38	79,38	110	36,50	110	42	25	28	17	65	M16x50	5/8x2"	4187
	NG06-32	2"	2" GAS	51	96,82	134	44,45	132	45	35	33	21	75	M20x70	3/4x2"1/2	4225
	NG06-3224	2"	1"1/2 GAS	51	96,82	134	44,45	132	45	35	33	21	75	M20x70	3/4x2"1/2	4225

Come Ordinare / How to Order:

Solo Flangia / Only Flange

NG0...08

Flangia completa di viti UNC, rondelle e o-ring

Complete flange with UNC screws, washers and o'ring

NG0....08U

Flangia completa di viti metriche, rondelle e o-ring

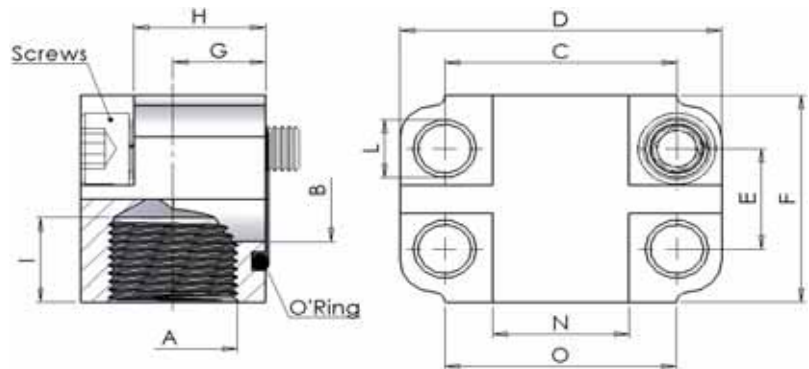
Complete flange with metric screws, washers and o'ring

NG0....08M

BG03 Flange 90° Filettate BSP

BG06

BSP Threaded 90° Flanges



max pressure bar	part number	SAE size	Dimensions												Viti		O' R type
			A	B	C	D	E	F	G	H	I	L	N	O	Screws Metric		

3000 psi

345	BG03-12	3/4"	3/4" GAS	19	47,63	66	22,23	46	19	27	19	11	28	48	M10x45	4100
	BG03-16	1"	1" GAS	25	52,37	71	26,19	55	22	34	19	11	32	50	M10x50	4131
276	BG03-20	1"1/4	1"1/4 GAS	32	58,72	81	30,18	65	27	42	22	12	35	60	M10x60	4150
207	BG03-24	1"1/2	1"1/2 GAS	38	69,85	95	35,71	75	32	50	24	14	42	70	M12x70	4187
	BG03-32	2"	2" GAS	51	77,77	112	42,88	90	40	63	26	14	50	80	M12x80	4225
172	BG03-40	2"1/2	2"1/2 GAS	63	88,90	120	50,80	120	53	99	30	14	-	-	-	4275

6000 psi

414	BG06-12	3/4"	3/4" GAS	19	50,80	71	23,80	55	22	34	22	11	32	50	M10x50	4100
	BG06-16	1"	1" GAS	25	57,15	81	27,76	65	27	42	24	13	35	60	M12x60	4131
	BG06-20	1"1/4	1"1/4 GAS	32	66,68	95	31,75	75	32	50	25	15	42	70	M14x70	4150
	BG06-24	1"1/2	1"1/2 GAS	38	79,38	112	36,50	90	40	63	28	17	50	80	M16x90	4187

Come Ordinare / How to Order:

Solo Flangia / Only Flange

Flangia completa di viti metriche, rondelle e o-ring

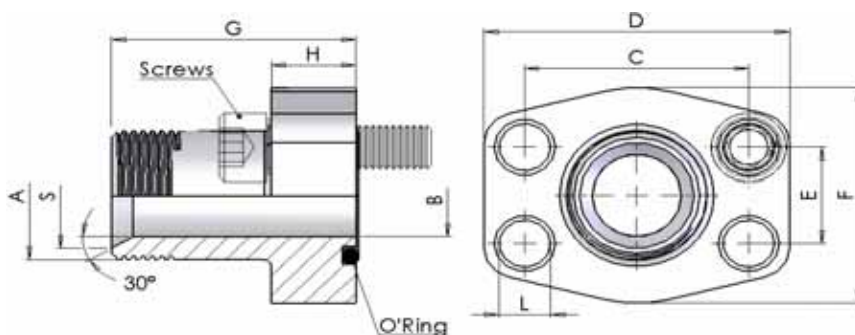
Complete flange with metric screws, washers and o'ring

BG0...08

BG0....08M

FDG3 Flange a tenuta conica a 60°
FDG6 filettate BSP

60° Tapered seat BSP threaded flanges



max pressure bar	part number	SAE size	Dimensions										Viti Screws		O' R type
			A	B	C	D	E	F	G	H	L	S	Metric	Unc	

3000 psi

345	FDG3-08	1/2"	1/2" GAS	12	38,10	54	17,48	46	52	13	9,0	17,5	M8x30	5/16x1"1/4	4075
	FDG3-0806	1/2"	3/8" GAS	9	38,10	54	17,48	46	52	13	9,0	14,0	M8x30	5/16x1"1/4	4075
	FDG3-12	3/4"	3/4" GAS	17	47,63	65	22,23	50	60	14	11,5	22,9	M10x35	3/8x1"1/2	4100
	FDG3-1208	3/4"	1/2" GAS	12	47,63	65	22,23	50	60	14	11,5	17,5	M10x35	3/8x1"1/2	4100
	FDG3-16	1"	1" GAS	22	52,37	70	26,19	55	63	16	11,5	28,7	M10x35	3/8x1"1/2	4131
	FDG3-1612	1"	3/4" GAS	17	52,37	70	26,19	55	63	16	11,5	22,9	M10x40	3/8x1"1/2	4131
276	FDG3-20	1"1/4	1"1/4 GAS	29	58,72	79	30,18	68	65	14	11,5	36,8	M10x35	7/16x1"3/4	4150
	FDG3-2016	1"1/4	1" GAS	22	58,72	79	30,18	68	65	14	11,5	28,7	M10x35	7/16x1"3/4	4150
207	FDG3-24	1"1/2	1"1/2 GAS	34	69,85	94	35,71	78	70	16	13,5	42,7	M12x35	1/2x1"3/4	4187
	FDG3-2420	1"1/2	1"1/4 GAS	29	69,85	94	35,71	78	70	16	13,5	36,8	M12x35	1/2x1"3/4	4187

6000 psi

414	FDG6-08	1/2"	1/2" GAS	12	40,49	56	18,24	48	60	16	9	17,5	M8x30	5/16x1"1/4	4075
	FDG6-0806	1/2"	3/8" GAS	9	40,49	56	18,24	48	60	16	9	14,0	M8x30	5/16x1"1/5	4075
	FDG6-12	3/4"	3/4" GAS	17	50,80	71	23,80	60	73	19	12	22,9	M10x40	3/8x1"1/2	4100
	FDG6-1208	3/4"	1/2" GAS	12	50,80	71	23,80	60	73	19	12	17,5	M10x40	3/8x1"1/3	4100
	FDG6-16	1"	1" GAS	22	57,15	81	27,76	70	82	24	13	28,7	M12x45	7/16x1"3/4	4131
	FDG6-1612	1"	3/4" GAS	17	57,15	81	27,76	70	82	24	13	22,9	M12x45	7/16x1"3/5	4131
	FDG6-20	1"1/4	1"1/4 GAS	29	66,68	95	31,75	78	92	27	15	36,8	M14x45	1/2x1"3/4	4150
	FDG6-2016	1"1/4	1" GAS	22	66,68	95	31,75	78	92	27	15	28,7	M14x45	1/2x1"3/5	4150
	FDG6-24	1"1/2	1"1/2 GAS	34	79,38	113	36,50	95	96	30	17	42,7	M16x50	5/8x2"	4187
	FDG6-2420	1"1/2	1"1/4 GAS	29	79,38	113	36,50	95	96	30	17	36,8	M16x50	5/8x2"	4187

Come Ordinare / How to Order:

Solo Flangia / Only Flange

Flangia completa di viti UNC, rondelle e o-ring

Complete flange with UNC screws, washers and o'ring

Flangia completa di viti metriche, rondelle e o-ring

Complete flange with metric screws, washers and o'ring

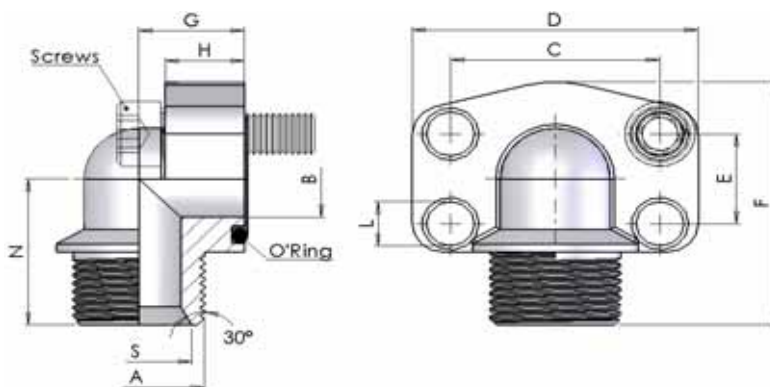
FDG...08

FDG....08U

FDG....08M

NOG3 Flange a 90° a tenuta conica
NOG6 60° filettate BSP

90° Flanges with 60° tapered seat and BSP thread



max pressure bar	part number	SAE size	Dimensions											Viti Screws		O' R type
			A	B	C	D	E	F	G	H	L	N	S	Metric	Unc	

3000 psi

345	NOG3-08	1/2"	1/2" GAS	11,5 / 13	38,10	54	17,48	61	20	16	9	38	17,5	M8x30	5/16x1"1/4	4075
	NOG3-0806	1/2"	3/8" GAS	8,5 / 13	38,10	54	17,48	61	20	16	9	38	14,0	M8x30	5/16x1"1/4	4075
	NOG3-12	3/4"	3/4" GAS	17 / 19	47,63	65	22,23	64	24	18	11	39	22,9	M10x35	3/8x1"1/2	4100
	NOG3-16	1"	1" GAS	22 / 25	52,37	70	26,19	70	28	19	11	43	28,7	M10x35	3/8x1"1/2	4131
276	NOG3-20	1"1/4	1"1/4 GAS	28,5 / 32	58,72	79	30,18	85	34	21	12	51	36,8	M10x35	7/16x1"3/4	4150
207	NOG3-24	1"1/2	1"1/2 GAS	34 / 38	69,85	93	35,71	96	38	25	14	56	42,7	M12x35	1/2x1"3/4	4187

6000 psi

414	NOG6-0808	1/2"	1/2" GAS	11,5 / 13	40,49	54	18,24	61	20	16	9	38	18	M8x30	5/16x1"1/4	4075
	NOG6-0806	1/2"	3/8" GAS	8,5 / 13	40,49	54	18,24	61	20	16	9	38	14	M8x30	5/16x1"1/4	4075
	NOG6-12	3/4"	3/4" GAS	17 / 19	50,80	70	23,80	70	28	19	11	43	23	M10x40	3/8x1"1/2	4100
	NOG6-16	1"	1" GAS	22 / 25	57,15	79	27,76	85	34	21	13	51	29	M12x45	7/16x1"3/4	4131
	NOG6-20	1"1/4	1"1/4 GAS	28,5 / 32	66,68	93	31,75	96	38	25	15	56	37	M14x45	1/2x1"3/4	4150
	NOG6-24	1"1/2	1"1/2 GAS	34 / 38	79,38	110	36,50	110	42	25	17	65	43	M16x50	5/8x2"	4187

Come Ordinare / How to Order:

Solo Flangia / Only Flange

NOG...08

Flangia completa di viti UNC, rondelle e o-ring

Complete flange with UNC screws, washers and o'ring

NOG....08U

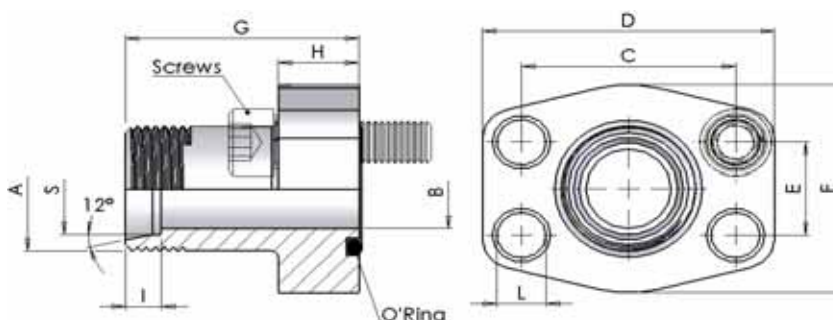
Flangia completa di viti metriche, rondelle e o-ring

Complete flange with metric screws, washers and o'ring

NOG....08M

FDD3 Flange filettate Metriche con
FDD6 attacco DIN 2353

DIN 2353 Metric threaded flanges



max pressure bar	part number	SAE size	Dimensions											Viti Screws		O' R type
			A	B	C	D	E	F	G	H	I	L	S	Metric	Unc	

3000 psi

345	FDD3-08	1/2"	M22x1,5	12	38,10	54	17,48	46	52	13	7	9,0	15	M8x30	5/16x1"1/4	4075
	FDD3-12	3/4"	M30x2	19	47,63	65	22,23	50	60	14	8	11,5	22	M10x30	3/8x1"1/2	4100
	FDD3-16	1"	M36x2	24	52,37	70	26,19	55	63	16	8	11,5	28	M10x35	3/8x1"1/2	4131
276	FDD3-20	1"1/4	M45x2	29	58,72	79	30,18	68	65	14	11	11,5	35	M10x35	7/16x1"3/4	4150
207	FDD3-24	1"1/2	M52x2	36	69,85	94	35,71	78	70	16	11	13,5	42	M12x35	1/2x1"3/4	4187

6000 psi

414	FDD6-0808	1/2"	M24x1,5	12	40,49	56	18,24	48	60	16	9	9,0	16	M8x30	5/16x1"1/4	4075
	FDD6-12	3/4"	M36x2	19	50,80	71	23,80	60	73	19	12	11,5	25	M10x40	3/8x1"1/2	4100
	FDD6-16	1"	M42x2	25	57,15	81	27,76	70	82	24	14	13,0	30	M12x45	7/16x1"3/4	4131
	FDD6-20	1"1/4	M52x2	29	66,68	95	31,75	78	92	27	16	15,0	38	M14x45	1/2x1"3/4	4150
	FDD6-24	1"1/2	M52x2	32	79,38	113	36,50	95	96	30	16	17,0	38	M16x50	5/8x2"	4187

Come Ordinare / How to Order:

Solo Flangia / Only Flange

FDD...08

Flangia completa di viti UNC, rondelle e o-ring

Complete flange with UNC screws, washers and o'ring

FDD....08U

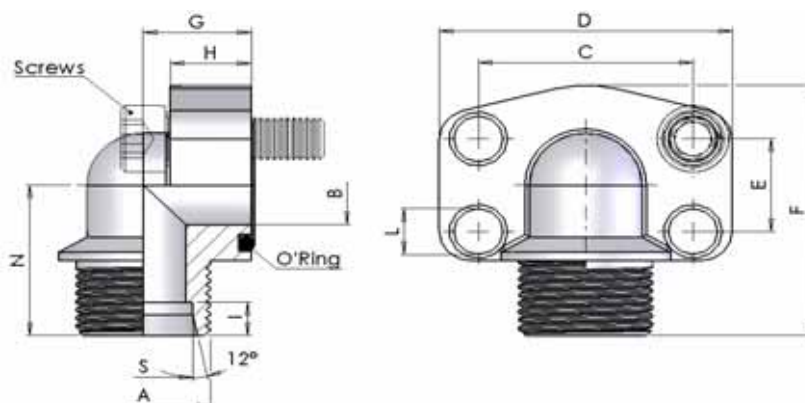
Flangia completa di viti metriche, rondelle e o-ring

Complete flange with metric screws, washers and o'ring

FDD....08M

N0D3 Flange 90° filettate Metriche
N0D6 con attacco DIN 2353

DIN 2353 Metric threaded 90° flanges



max pressure bar	part number	SAE size	Dimensions													Viti Screws		O' R type
			A	B	C	D	E	F	G	H	I	L	N	S	Metric	Unc		

3000 psi

345	N0D3-08	1/2"	M22x1,5	12	38,10	54	17,48	60	20	16	7,0	9,0	37	15	M8x30	5/16x1"1/4	4075
	N0D3-12	3/4"	M30x2	19	47,63	65	22,23	65	24	18	7,5	11,0	40	22	M10x35	3/8x1"1/2	4100
	N0D3-16	1"	M36x2	25	52,37	70	26,19	70	28	19	12,0	11,0	43	28	M10x35	3/8x1"1/2	4131
276	N0D3-20	1"1/4	M45x2	32	58,72	79	30,18	86	34	21	10,5	11,5	52	35	M10x40	7/16x1"3/4	4150
207	N0D3-24	1"1/2	M52x2	38	69,85	93	35,71	95	38	25	11,0	13,5	56	42	M12x45	1/2x1"3/4	4187

6000 psi

414	N0D6-08	1/2"	M24x1,5	12	40,49	54	18,24	60	20	16	8,5	9	37	16	M8x30	5/16x1"1/4	4075
	N0D6-12	3/4"	M36x2	19	50,80	70	23,80	70	28	19	12,0	11	43	25	M10x35	3/8x1"1/2	4100
	N0D6-16	1"	M42x2	25	57,15	79	27,76	85	34	21	13,5	13	52	30	M12x45	7/16x1"3/4	4131
	N0D6-20	1"1/4	M52x2	32	66,68	93	31,75	95	38	25	16,0	15	56	38	M14x45	1/2x1"3/4	4150
	N0D6-24	1"1/2	M52x2	38	79,38	110	36,50	110	42	25	16,0	17	65	38	M16x50	5/8x2"	4187

Come Ordinare / How to Order:

Solo Flangia / Only Flange

NOD...08

Flangia completa di viti UNC, rondelle e o-ring

Complete flange with UNC screws, washers and o'ring

NOD....08U

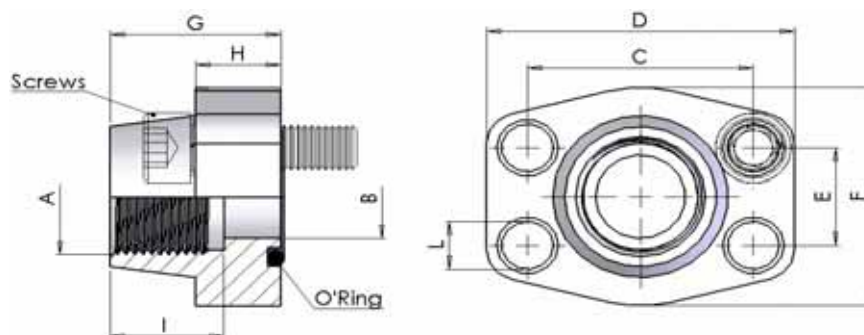
Flangia completa di viti metriche, rondelle e o-ring

Complete flange with metric screws, washers and o'ring

NOD....08M

FN03 Flange Filettate NPT

FN06 Flange Filettate NPT



max pressure bar	part number	SAE size	Dimensions										Viti Screws		O' R type
			A	B	C	D	E	F	G	H	I	L	Metric	Unc	

3000 psi

345	FN03-08	1/2"	1/2" NPT	13	38,10	57	17,48	46	36	16	19	9	M8x30	5/16x1"1/4	4075
	FN03-0806	1/2"	3/8" NPT	13	38,10	57	17,48	46	36	16	19	9	M8x30	5/16x1"1/4	4075
	FN03-12	3/4"	3/4" NPT	19	47,63	65	22,23	50	36	18	19	11	M10x35	3/8x1"1/2	4100
	FN03-1208	3/4"	1/2" NPT	13	47,63	65	22,23	50	36	18	19	11	M10x35	3/8x1"1/2	4100
	FN03-16	1"	1" NPT	25	52,37	70	26,19	55	38	18	22	11	M10x35	3/8x1"1/2	4131
	FN03-1612	1"	3/4" NPT	19	52,37	70	26,19	55	35	21	19	11	M10x40	3/8x1"1/2	4131
276	FN03-20	1"1/4	1"1/4 NPT	32	58,72	79	30,18	68	41	21	22	11,5	M10x40	7/16x1"3/4	4150
	FN03-2016	1"1/4	1" NPT	25	58,72	81	30,18	65	42	25	24	11,5	M10x40	7/16x1"3/4	4150
207	FN03-24	1"1/2	1"1/2 NPT	38	69,85	93	35,71	78	45	25	24	13,5	M12x45	1/2x1"3/4	4187
	FN03-2420	1"1/2	1"1/4 NPT	32	69,85	95	35,71	78	45	27	24	13,5	M12x45	1/2x1"3/4	4187
	FN03-23	2"	2" NPT	51	77,77	102	42,88	90	45	25	30	13,5	M12x45	1/2x1"3/4	4225
	FN03-3224	2"	1"1/2 NPT	38	77,77	102	42,88	90	45	25	26	13,5	M12x45	1/2x1"3/4	4225
172	FN03-40	2"1/2	2"1/2 NPT	63	88,90	114	50,80	105	50	25	30	13,5	M12x45	1/2x1"3/4	4275
138	FN03-48	3"	3" NPT	73	106,38	134	61,93	124	50	27	34	17,5	M16x50	5/8x2"	4337
34	FN03-56	3"1/2	3"1/2 NPT	89	120,65	152	69,85	136	48	27	34	17,5	M16x50	5/8x2"	4387
	FN03-64	4"	4" NPT	99	130,18	162	77,77	146	48	27	34	17,5	M16x50	5/8x2"	4437

6000 psi

414	FN06-08	1/2"	1/2" NPT	13	40,49	57	18,24	46	36	16	19	9	M8x30	5/16x1"1/4	4075
	FN06-0806	1/2"	3/8" NPT	13	40,49	57	18,24	46	36	16	19	9	M8x30	5/16x1"1/4	4075
	FN06-12	3/4"	3/4" NPT	19	50,80	71	23,80	55	35	21	22	11	M10x40	3/8x1"1/2	4100
	FN06-1208	3/4"	1/2" NPT	13	50,80	71	23,80	55	35	21	22	11	M10x40	3/8x1"1/2	4100
	FN06-16	1"	1" NPT	25	57,15	81	27,76	65	42	25	24	13	M12x45	7/16x1"3/4	4131
	FN06-1612	1"	3/4" NPT	19	57,15	81	27,76	65	42	25	24	13	M12x45	7/16x1"3/4	4131
	FN06-20	1"1/4	1"1/4 NPT	32	66,68	95	31,75	78	45	27	25	15	M14x45	1/2x1"3/4	4150
	FN06-2016	1"1/4	1" NPT	25	66,68	95	31,75	78	45	27	25	15	M14x45	1/2x1"3/4	4150
	FN06-24	1"1/2	1"1/2 NPT	38	79,38	112	36,50	94	50	30	28	17	M16x50	5/8x2"	4187
	FN06-2420	1"1/2	1"1/4 NPT	32	79,38	112	36,50	94	50	30	28	17	M16x50	5/8x2"	4187
	FN06-32	2"	2" NPT	51	96,82	134	44,45	114	65	37	30	21	M20x70	3/4x2"1/2	4225
	FN06-3224	2"	1"1/2 NPT	38	96,82	134	44,45	114	65	37	30	21	M20x70	3/4x2"1/2	4225
	FN06-40	2"1/2	2"1/2 NPT	63	123,80	180	58,70	152	80	45	32	26	M24x80	-	4275
	FN06-48	3"	3" NPT	73	152,40	208	71,40	178	90	55	40	33	M30x100	-	4337

Come Ordinare / How to Order:

Solo Flangia / Only Flange

FN0...08

Flangia completa di viti UNC, rondelle e o-ring

Complete flange with UNC screws, washers and o'ring

FN0...08U

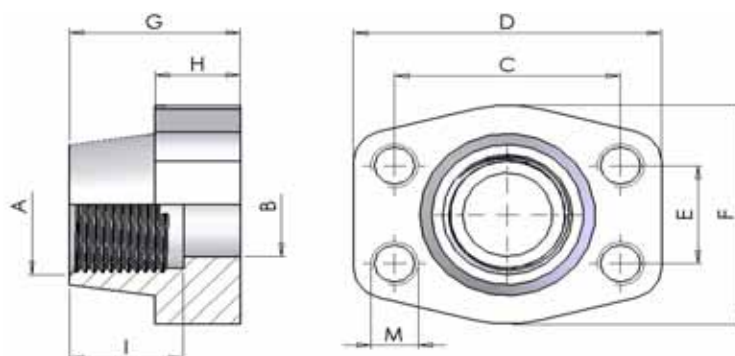
Flangia completa di viti metriche, rondelle e o-ring

Complete flange with metric screws, washers and o'ring

FN0...08M

CN03 **Controflange Filettate NPT**
CN06

NPT Threaded Counter-Flanges



max pressure bar	part number	SAE size	Dimensions									Metric M	Unc
			A	B	C	D	E	F	G	H	I		

3000 psi

345	CN03-08	1/2"	1/2" NPT	13	38,10	57	17,48	46	36	16	19	M8	5/16
	CN03-0806	1/2"	3/8" NPT	13	38,10	57	17,48	46	36	16	19	M8	5/16
	CN03-12	3/4"	3/4" NPT	19	47,63	65	22,23	50	36	18	19	M10	3/8
	CN03-1208	3/4"	1/2" NPT	13	47,63	65	22,23	50	36	18	19	M10	3/8
	CN03-16	1"	1" NPT	25	52,37	70	26,19	55	38	18	22	M10	3/8
	CN03-1612	1"	3/4" NPT	19	52,37	70	26,19	55	35	21	19	M10	3/8
276	CN03-20	1 1/4"	1 1/4" NPT	32	58,72	79	30,18	68	41	21	22	M10	7/16
	CN03-2016	1 1/4"	1" NPT	25	58,72	81	30,18	65	42	25	24	M10	7/16
207	CN03-24	1 1/2"	1 1/2" NPT	38	69,85	93	35,71	78	45	25	24	M12	1/2
	CN03-2420	1 1/2"	1 1/4" NPT	32	69,85	95	35,71	78	45	27	24	M12	1/2
	CN03-32	2"	2" NPT	51	77,77	102	42,88	90	45	25	30	M12	1/2
	CN03-3224	2"	1 1/2" NPT	38	77,77	102	42,88	90	45	25	26	M12	1/2
172	CN03-40	2 1/2"	2 1/2" NPT	63	88,90	114	50,80	105	50	25	30	M12	1/2
138	CN03-48	3"	3" NPT	73	106,38	134	61,93	124	50	27	34	M16	5/8
34	CN03-56	3 1/2"	3 1/2" NPT	89	120,65	152	69,85	136	48	27	34	M16	5/8
	CN03-64	4"	4" NPT	99	130,18	162	77,77	146	48	27	34	M16	5/8

6000 psi

414	CN06-08	1/2"	1/2" NPT	13	40,49	57	18,24	46	36	16	19	M8	5/16
	CN06-0806	1/2"	3/8" NPT	13	40,49	57	18,24	46	36	16	19	M8	5/16
	CN06-12	3/4"	3/4" NPT	19	50,80	71	23,80	55	35	21	22	M10	3/8
	CN06-1208	3/4"	1/2" NPT	13	50,80	71	23,80	55	35	21	22	M10	3/8
	CN06-16	1"	1" NPT	25	57,15	81	27,76	65	42	25	24	M12	7/16
	CN06-1612	1"	3/4" NPT	19	57,15	81	27,76	65	42	25	24	M12	7/16
	CN06-20	1 1/4"	1 1/4" NPT	32	66,68	95	31,75	78	45	27	25	M14	1/2
	CN06-2016	1 1/4"	1" NPT	25	66,68	95	31,75	78	45	27	25	M14	1/2
	CN06-24	1 1/2"	1 1/2" NPT	38	79,38	112	36,50	94	50	30	28	M16	5/8
	CN06-2420	1 1/2"	1 1/4" NPT	32	79,38	112	36,50	94	50	30	28	M16	5/8
	CN06-32	2"	2" NPT	51	96,82	134	44,45	114	65	37	30	M20	3/4
	CN06-3224	2"	1 1/2" NPT	38	96,82	134	44,45	114	65	37	30	M20	3/4
	CN06-40	2 1/2"	2 1/2" NPT	63	123,80	180	58,70	152	80	45	32	M24	-
	CN06-48	3"	3" NPT	73	152,40	208	71,40	178	90	55	40	M30	-

Come Ordinare / How to Order:

Controflangia con fori di fissaggio metrici
 Counter flange with metric tapholes

CN0...08

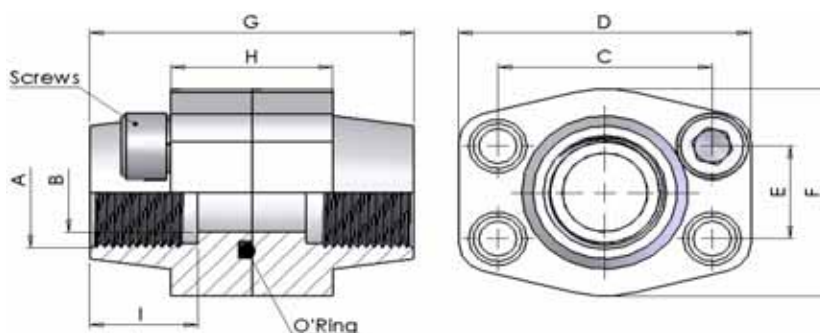
Controflangia con fori di fissaggio UNC
 Counter flange with UNC tapholes

CN0...08U

DN03 DN06

Doppie Flange Filettate NPT

NPT Threaded Double Flanges



max pressure bar	part number	SAE size	Dimensions									Viti Screws		O' R type
			A	B	C	D	E	F	G	H	I	Metric	Unc	

3000 psi

345	DN03-08	1/2"	1/2" NPT	13	38,10	57	17,48	46	72	32	19	M8x30	5/16x1"1/4	4075
	DN03-0806	1/2"	3/8" NPT	13	38,10	57	17,48	46	72	32	19	M8x30	5/16x1"1/4	4075
	DN03-12	3/4"	3/4" NPT	19	47,63	65	22,23	50	72	36	19	M10x35	3/8x1"1/2	4100
	DN03-1208	3/4"	1/2" NPT	13	47,63	65	22,23	50	72	36	19	M10x35	3/8x1"1/2	4100
	DN03-16	1"	1" NPT	25	52,37	70	26,19	55	76	36	22	M10x35	3/8x1"1/2	4131
	DN03-1612	1"	3/4" NPT	19	52,37	70	26,19	55	70	42	19	M10x40	3/8x1"1/2	4131
276	DN03-20	1"1/4	1"1/4 NPT	32	58,72	79	30,18	68	82	42	22	M10x40	7/16x1"3/4	4150
	DN03-2016	1"1/4	1" NPT	25	58,72	81	30,18	65	84	50	24	M10x40	7/16x1"3/4	4150
207	DN03-24	1"1/2	1"1/2 NPT	38	69,85	93	35,71	78	90	50	24	M12x45	1/2x1"3/4	4187
	DN03-2420	1"1/2	1"1/4 NPT	32	69,85	95	35,71	78	90	54	24	M12x45	1/2x1"3/4	4187
	DN03-32	2"	2" NPT	51	77,77	102	42,88	90	90	50	30	M12x45	1/2x1"3/4	4225
	DN03-3224	2"	1"1/2 NPT	38	77,77	102	42,88	90	90	50	26	M12x45	1/2x1"3/4	4225
172	DN03-40	2"1/2	2"1/2 NPT	63	88,90	114	50,80	105	100	50	30	M12x45	1/2x1"3/4	4275
138	DN03-48	3"	3" NPT	73	106,38	134	61,93	124	100	54	34	M16x50	5/8x2"	4337
34	DN03-56	3"1/2	3"1/2 NPT	89	120,65	152	69,85	136	96	54	34	M16x50	5/8x2"	4387
	DN03-64	4"	4" NPT	99	130,18	162	77,77	146	96	54	34	M16x50	5/8x2"	4437

6000 psi

414	DN06-08	1/2"	1/2" NPT	13	40,49	57	18,24	46	72	32	19	M8x30	5/16x1"1/4	4075
	DN06-0806	1/2"	3/8" NPT	13	40,49	57	18,24	46	72	32	19	M8x30	5/16x1"1/4	4075
	DN06-12	3/4"	3/4" NPT	19	50,80	71	23,80	55	70	42	22	M10x40	3/8x1"1/2	4100
	DN06-1208	3/4"	1/2" NPT	13	50,80	71	23,80	55	70	42	22	M10x40	3/8x1"1/2	4100
	DN06-16	1"	1" NPT	25	57,15	81	27,76	65	84	50	24	M12x45	7/16x1"3/4	4131
	DN06-1612	1"	3/4" NPT	19	57,15	81	27,76	65	84	50	24	M12x45	7/16x1"3/4	4131
	DN06-20	1"1/4	1"1/4 NPT	32	66,68	95	31,75	78	90	54	25	M14x45	1/2x1"3/4	4150
	DN06-2016	1"1/4	1" NPT	25	66,68	95	31,75	78	90	54	25	M14x45	1/2x1"3/4	4150
	DN06-24	1"1/2	1"1/2 NPT	38	79,38	112	36,50	94	100	60	28	M16x50	5/8x2"	4187
	DN06-2420	1"1/2	1"1/4 NPT	32	79,38	112	36,50	94	100	60	28	M16x50	5/8x2"	4187
	DN06-32	2"	2" NPT	51	96,82	134	44,45	114	130	74	30	M20x70	3/4x2"1/2	4225
	DN06-3224	2"	1"1/2 NPT	38	96,82	134	44,45	114	130	74	30	M20x70	3/4x2"1/2	4225
	DN06-40	2"1/2	2"1/2 NPT	63	123,80	180	58,70	152	160	90	32	M24x80	-	4275
	DN06-48	3"	3" NPT	73	152,40	208	71,40	178	180	110	40	M30x100	-	4337

Come Ordinare / How to Order:

Doppia flangia completa di viti metriche, rondelle e o-ring

Complete double flange with metrical screws, washers and o-ring

DN0...08

Doppia flangia completa di viti UNC, rondelle e o-ring

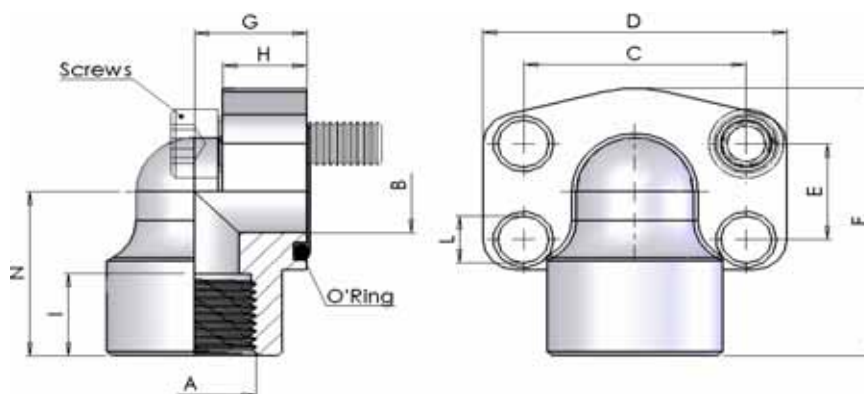
Complete double flange with UNC screws, washers and o-ring

DN0...08U

NN03
NN06

Flange 90° Filettate NPT

NPT Threaded 90° Flanges



max pressure bar	part number	SAE size	Dimensions											Viti Screws		O' R type
			A	B	C	D	E	F	G	H	I	L	N	Metric	Unc	

3000 psi

345	NN03-08	1/2"	1/2" NPT	13	38,10	54	17,48	60	20	16	19	9	37	M8x30	5/16x1"1/4	4075
	NN03-0806	1/2"	3/8" NPT	13	38,10	54	17,48	60	20	16	19	9	37	M8x30	5/16x1"1/4	4075
	NN03-12	3/4"	3/4" NPT	19	47,63	65	22,23	63	24	18	19	11	38	M10x35	3/8x1"1/2	4100
	NN03-1208	3/4"	1/2" NPT	19	47,63	65	22,23	63	24	18	19	11	38	M10x35	3/8x1"1/2	4100
	NN03-16	1"	1" NPT	25	52,37	70	26,19	70	28	19	20	11	43	M10x35	3/8x1"1/2	4131
	NN03-1612	1"	3/4" NPT	25	52,37	70	26,19	70	28	19	20	11	43	M10x40	3/8x1"1/2	4131
276	NN03-20	1"1/4	1"1/4 NPT	32	58,72	79	30,18	85	34	21	22	11,5	51	M10x40	7/16x1"3/4	4150
	NN03-2016	1"1/4	1" NPT	32	58,72	79	30,18	85	34	21	22	11,5	51	M10x40	7/16x1"3/4	4150
207	NN03-24	1"1/2	1"1/2 NPT	38	69,85	93	35,71	95	38	25	25	13,5	56	M12x45	1/2x1"3/4	4187
	NN03-2420	1"1/2	1"1/4 NPT	38	69,85	93	35,71	95	38	25	25	13,5	56	M12x45	1/2x1"3/4	4187
	NN03-32	2"	2" NPT	51	77,77	110	42,88	110	42	25	28	13,5	65	M12x45	1/2x1"3/4	4225
	NN03-3224	2"	1"1/2 NPT	51	77,77	110	42,88	110	42	25	28	13,5	65	M12x45	1/2x1"3/4	4225

6000 psi

414	NN06-0808	1/2"	1/2" NPT	13	40,49	54	18,24	60	20	16	19	9	37	M8x30	5/16x1"1/4	4075
	NN06-0806	1/2"	3/8" NPT	13	40,49	54	18,24	60	20	16	19	9	37	M8x30	5/16x1"1/4	4075
	NN06-12	3/4"	3/4" NPT	19	50,80	70	23,80	70	28	19	20	11	43	M10x40	3/8x1"1/2	4100
	NN06-1208	3/4"	1/2" NPT	19	50,80	70	23,80	70	28	19	20	11	43	M10x40	3/8x1"1/2	4100
	NN06-16	1"	1" NPT	25	57,15	79	27,76	85	34	21	22	13	51	M12x45	7/16x1"3/4	4131
	NN06-1612	1"	3/4" NPT	25	57,15	79	27,76	85	34	21	22	13	51	M12x45	7/16x1"3/4	4131
	NN06-20	1"1/4	1"1/4 NPT	32	66,68	93	31,75	95	38	25	25	15	56	M14x45	1/2x1"3/4	4150
	NN06-2016	1"1/4	1" NPT	32	66,68	93	31,75	95	38	25	25	15	56	M14x45	1/2x1"3/4	4150
	NN06-24	1"1/2	1"1/2 NPT	38	79,38	110	36,50	110	42	25	28	17	65	M16x50	5/8x2"	4187
	NN06-2420	1"1/2	1"1/4 NPT	38	79,38	110	36,50	110	42	25	28	17	65	M16x50	5/8x2"	4187
	NN06-32	2"	2" NPT	51	96,82	134	44,45	132	45	35	33	21	75	M20x70	3/4x2"1/2	4225
	NN06-3224	2"	1"1/2 NPT	51	96,82	134	44,45	132	45	35	33	21	75	M20x70	3/4x2"1/2	4225

Come Ordinare / How to Order:

Solo Flangia / Only Flange

NN0...08

Flangia completa di viti UNC, rondelle e o-ring

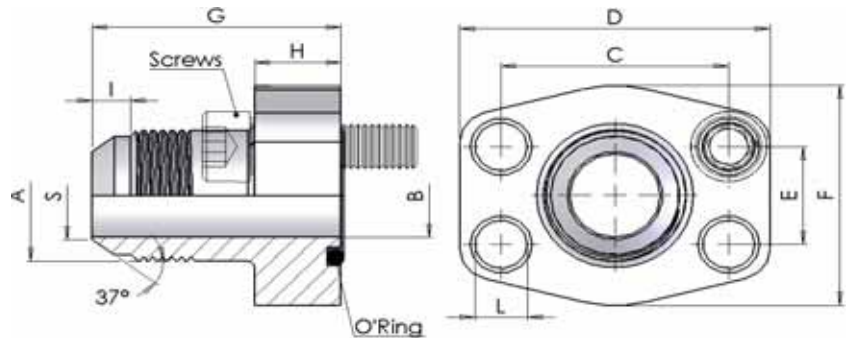
Complete flange with UNC screws, washers and o'ring

NN0...08U

Flangia completa di viti metriche, rondelle e o-ring

Complete flange with metric screws, washers and o'ring

NN0...08M

FDJ3 **Flange Filettate JIC**
FDJ6 JIC Threaded Flanges


max pressure bar	part number	SAE size	Dimensions											Viti Screws		O' R type
			A	B	C	D	E	F	G	H	I	L	S	Metric	Unc	

3000 psi

345	FDJ3-0808	1/2"	3/4" - 16UNF	9,9	38,10	54	17,48	46	52	13	6,4	9,0	10,82	M8x30	5/16x1"1/4	4075
	FDJ3-0810	1/2"	7/8" - 14UN	12,3	38,10	54	17,48	46	52	13	6,8	9,0	13,69	M8x30	5/16x1"1/4	4075
	FDJ3-12	3/4"	1"1/16 - 12UN	15,5	47,63	65	22,23	50	60	14	8,0	11,5	16,87	M10x35	3/8x1"1/2	4100
	FDJ3-16	1"	1"5/16 - 12UN	21,5	52,37	70	26,19	55	63	16	8,0	11,5	23,19	M10x35	3/8x1"1/2	4131
276	FDJ3-20	1"1/4	1"5/8 - 12UN	27,5	58,72	79	30,18	68	65	14	9,3	11,5	29,13	M10x35	7/16x1"3/4	4150
207	FDJ3-24	1"1/2	1"7/8 - 12UN	33,0	69,85	94	35,71	78	70	16	9,6	13,5	35,08	M12x35	1/2x1"3/4	4187

6000 psi

414	FDJ6-0808	1/2"	3/4" - 16UNF	9,9	40,49	56	18,24	48	60	16	6	9,0	10,82	M8x30	5/16x1"1/4	4075
	FDJ6-0810	1/2"	7/8" - 14UN	12,3	40,49	56	18,24	48	60	16	7	9,0	13,69	M8x30	5/16x1"1/4	4075
	FDJ6-12	3/4"	1"1/16 - 12UN	15,5	50,80	71	23,80	60	73	19	8	11,5	16,87	M10x40	3/8x1"1/2	4100
	FDJ6-16	1"	1"5/16 - 12UN	21,5	57,15	81	27,76	70	82	24	8	13,0	23,19	M12x45	7/16x1"3/4	4131
	FDJ6-20	1"1/4	1"5/8 - 12UN	27,5	66,68	95	31,75	78	92	27	9	15,0	29,13	M14x45	1/2x1"3/4	4150
	FDJ6-24	1"1/2	1"7/8 - 12UN	33,0	79,38	113	36,50	95	96	30	10	17,0	35,08	M16x50	5/8x2"	4187

Come Ordinare / How to Order:

Solo Flangia / Only Flange

Flangia completa di viti UNC, rondelle e o-ring

Complete flange with UNC screws, washers and o'ring

Flangia completa di viti metriche, rondelle e o-ring

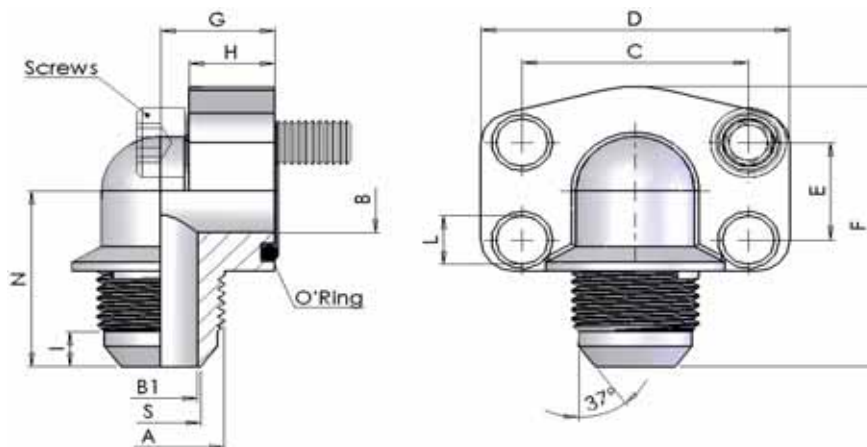
Complete flange with metric screws, washers and o'ring

FDJ...08
FDJ...08U
FDJ...08M

N0J3 N0J6

Flange a 90° Filettate JIC

JIC Threaded 90° Flanges



max pressure bar	part number	SAE size	Dimensions													Viti Screws		O' R type
			A	B	B1	C	D	E	F	G	H	I	L	N	S	Metric	Unc	

3000 psi

345	N0J3-0808	1/2"	3/4" - 16UNF	13	9,9	38,10	54	17,48	60	20	16	6,4	9	37	10,82	M8x30	5/16x1"1/4	4075
	N0J3-0810	1/2"	7/8" - 14UN	13	12,3	38,10	54	17,48	60	20	16	6,8	9	37	13,69	M8x30	5/16x1"1/4	4075
	N0J3-12	3/4"	1"1/16 - 12UN	19	15,5	47,63	65	22,23	64	24	18	8	11	39	16,87	M10x35	3/8x1"1/2	4100
	N0J3-16	1"	1"5/16 - 12UN	25	21,5	52,37	70	26,19	71	28	19	8	11	44	23,19	M10x35	3/8x1"1/2	4131
276	N0J3-20	1"1/4	1"5/8 - 12UN	32	27,5	58,72	79	30,18	86	34	21	9,3	11,5	52	29,13	M10x40	7/16x1"3/4	4150
207	N0J3-24	1"1/2	1"7/8 - 12UN	38	33,0	69,85	93	35,71	96	38	25	9,6	13,5	57	35,08	M12x45	1/2x1"3/4	4187

6000 psi

414	N0J6-0808	1/2"	3/4" - 16UNF	13	9,9	40,49	54	18,24	60	20	16	6,4	9	37	10,82	M8x30	5/16x1"1/4	4075
	N0J6-0810	1/2"	7/8" - 14UN	13	12,3	40,49	54	18,24	60	20	16	6,8	9	37	13,69	M8x30	5/16x1"1/4	4075
	N0J6-12	3/4"	1"1/16 - 12UN	19	15,0	50,80	70	23,80	71	28	19	8	11	44	16,87	M10x35	3/8x1"1/2	4100
	N0J6-16	1"	1"5/16 - 12UN	25	21,5	57,15	79	27,76	85	34	21	8	13	51	23,19	M12x45	7/16x1"3/4	4131
	N0J6-20	1"1/4	1"5/8 - 12UN	32	27,5	66,68	93	31,75	96	38	25	9,3	15	57	29,13	M14x45	1/2x1"3/4	4150
	N0J6-24	1"1/2	1"7/8 - 12UN	38	33,0	79,38	110	35,50	111	42	25	9,6	17	66	35,08	M16x50	5/8x2"	4187

Come Ordinare / How to Order:

Solo Flangia / Only Flange

N0J...08

Flangia completa di viti UNC, rondelle e o-ring

Complete flange with UNC screws, washers and o'ring

N0J...08U

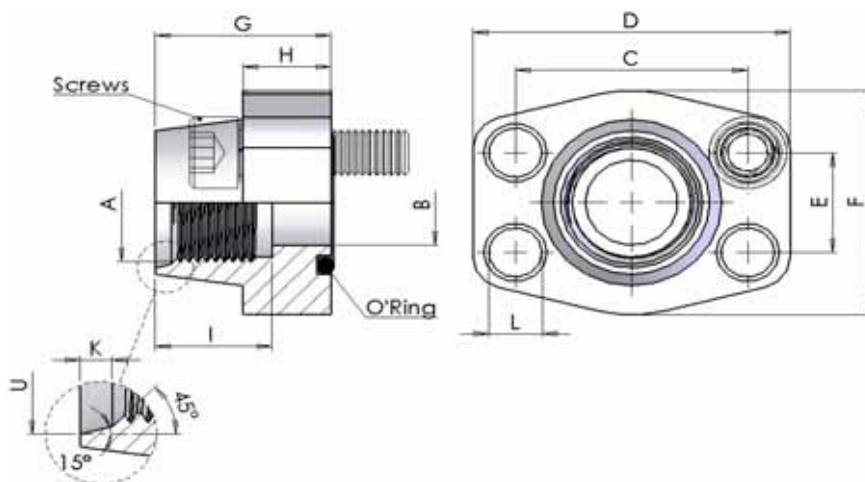
Flangia completa di viti metriche, rondelle e o-ring

Complete flange with metric screws, washers and o'ring

N0J...08M

FU03
FU06 **Flange filettate (UN) con filetto cilindrico con sede O-RING**

(UN) Threaded flanges with O-Ring groove parallel thread



max pressure bar	part number	SAE size	Dimensions													Viti Screws		O' R type
			A	B	C	D	E	F	G	H	I	L	U	K	Metric	Unc		

3000 psi

345	FU03-08	1/2"	3/4" - 16UNF	13	38,10	57	17,48	46	36	16	17	9,0	20,6	2,5	M8x30	5/16x1"1/4	4075
	FU03-12	3/4"	1"1/16 - 12UN	19	47,63	65	22,23	50	36	18	23	11,0	29,2	3,3	M10x35	3/8x1"1/2	4100
	FU03-16	1"	1"5/16 - 12UN	25	52,37	70	26,19	55	38	18	23	11,0	35,5	3,3	M10x35	3/8x1"1/2	4131
276	FU03-20	1"1/4	1"5/8 - 12UN	32	58,72	79	30,18	68	41	21	23	11,5	43,5	3,3	M10x40	7/16x1"3/4	4150
207	FU03-24	1"1/2	1"7/8 - 12UN	38	69,85	93	35,71	78	45	25	23	13,5	49,8	3,3	M12x45	1/2x1"3/4	4187

6000 psi

414	FU06-08	1/2"	3/4" - 16UNF	13	40,49	57	18,24	46	36	16	17	9	20,6	2,5	M8x30	5/16x1"1/4	4075
	FU06-12	3/4"	1"1/16 - 12UN	19	50,80	71	23,80	55	35	21	23	11	29,2	3,3	M10x40	3/8x1"1/2	4100
	FU06-16	1"	1"5/16 - 12UN	25	57,15	81	27,76	65	42	25	23	13	35,5	3,3	M12x45	7/16x1"3/4	4131
	FU06-20	1"1/4	1"5/8 - 12UN	32	66,68	95	31,75	78	45	27	23	15	43,5	3,3	M14x45	1/2x1"3/4	4150
	FU06-24	1"1/2	1"7/8 - 12UN	38	79,38	112	36,50	94	50	30	23	17	49,8	3,3	M16x50	5/8x2"	4187

Come Ordinare / How to Order:

Solo Flangia / Only Flange

FU0...08

Flangia completa di viti UNC, rondelle e o-ring

Complete flange with UNC screws, washers and o'ring

FU0...08U

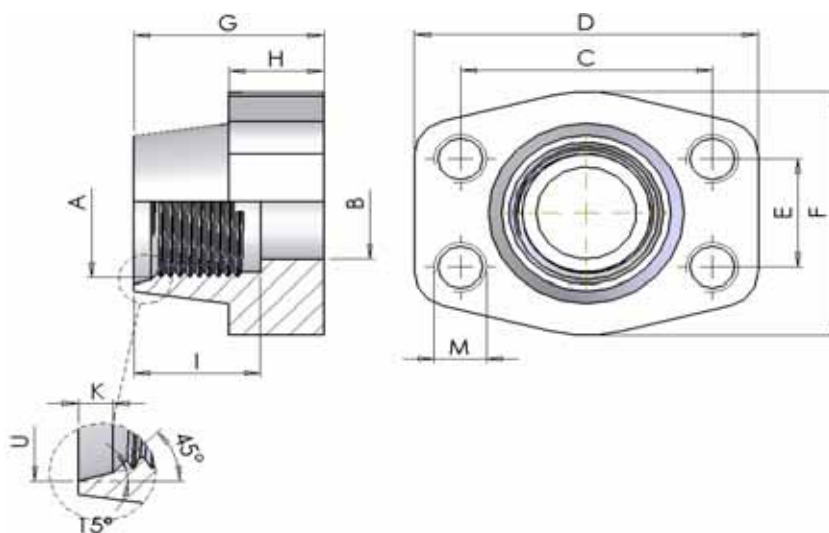
Flangia completa di viti metriche, rondelle e o-ring

Complete flange with metric screws, washers and o'ring

FU0...08M

CU03
CU06 **Controflange filettate (UN) con filetto cilindrico con sede O-RING**

(UN) Threaded counter-flanges with O-Ring groove parallel thread



max pressure bar	part number	SAE size	Dimensions											Metric M	Unc
			A	B	C	D	E	F	G	H	I	U	K		

3000 psi

345	CU03-08	1/2"	3/4" - 16UNF	13	38,10	57	17,48	46	36	16	17	20,6	2,5	M8	5/16
	CU03-12	3/4"	1"1/16 - 12UN	19	47,63	65	22,23	50	36	18	23	29,2	3,3	M10	3/8
	CU03-16	1"	1"5/16 - 12UN	25	52,37	70	26,19	55	38	18	23	35,5	3,3	M10	3/8
276	CU03-20	1"1/4	1"5/8 - 12UN	32	58,72	79	30,18	68	41	21	23	43,5	3,3	M10	7/16
207	CU03-24	1"1/2	1"7/8 - 12UN	38	69,85	93	35,71	78	45	25	23	49,8	3,3	M12	1/2

6000 psi

414	CU06-08	1/2"	3/4" - 16UNF	13	40,49	57	18,24	46	36	16	17	20,6	2,5	M8	5/16
	CU06-12	3/4"	1"1/16 - 12UN	19	50,80	71	23,80	55	35	21	23	29,2	3,3	M10	3/8
	CU06-16	1"	1"5/16 - 12UN	25	57,15	81	27,76	65	42	25	23	35,5	3,3	M12	7/16
	CU06-20	1"1/4	1"5/8 - 12UN	32	66,68	95	31,75	78	45	27	23	43,5	3,3	M14	1/2
	CU06-24	1"1/2	1"7/8 - 12UN	38	79,38	112	36,50	94	50	30	23	49,8	3,3	M16	5/8

Come Ordinare / How to Order:

Controflangia con fori di fissaggio metrici
Counter flange with metric tapholes

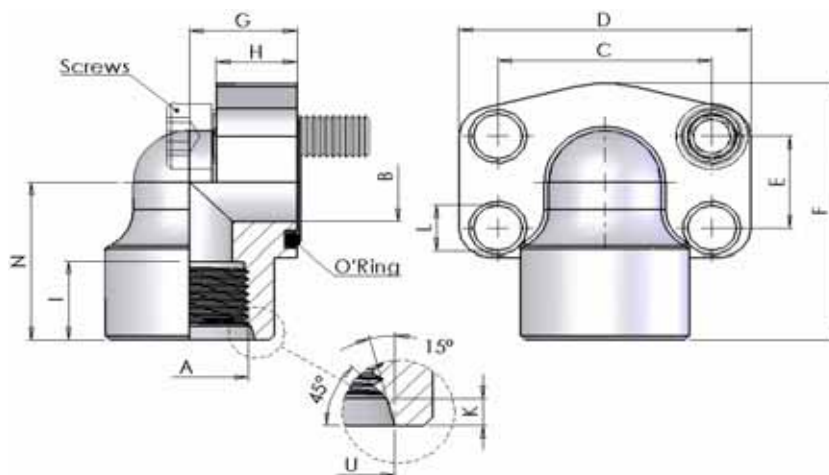
CU0...08

Controflangia con fori di fissaggio UNC
Counter flange with UNC tapholes

CU0...08U

NU03
NU06
Flange a 90° filettate (UN) con filetto cilindrico con sede O-RING

(UN) Threaded 90° flanges with O-Ring groove parallel thread



max pressure bar	part number	SAE size	Dimensions													Viti Screws		O' R type
			A	B	C	D	E	F	G	H	I	L	N	U	K	Metric	Unc	

3000 psi

345	NU03-08	1/2"	3/4"-16 UNF	13	38,10	54	17,48	60	20	16	17	9	37,0	29,6	2,5	M8x30	5/16x1"1/4	4075
	NU03-12	3/4"	1" 1/16-12 UN	19	47,63	65	22,23	63	24	18	23	11	38,0	29,2	3,3	M10x35	3/8x1"1/2	4100
	NU03-16	1"	1" 5/16-12 UN	25	52,37	70	26,19	70	28	19	23	11	43,0	35,5	3,3	M10x35	3/8x1"1/2	4131
276	NU03-20	1"1/4	1" 5/8-12 UN	32	58,72	79	30,18	79	34	21	23	12	51,0	43,5	3,4	M10x40	7/16x1"3/4	4150
207	NU03-24	1"1/2	1" 7/8-12 UN	38	69,85	93	35,71	93	38	25	23	14	56,0	49,8	3,4	M12x45	1/2x1"3/4	4187

6000 psi

414	NU06-08	1/2"	3/4"-16 UNF	13	40,49	54	18,24	60	20	16	17	9	37,0	29,6	2,5	M8x30	5/16x1"1/4	4075
	NU06-12	3/4"	1" 1/16-12 UN	19	50,80	70	23,80	70	28	19	23	11	43,0	29,2	3,3	M10x35	3/8x1"1/2	4100
	NU06-16	1"	1" 5/16-12 UN	25	57,15	79	27,76	85	34	21	23	13	51,0	35,5	3,3	M12x45	7/16x1"3/4	4131
	NU06-20	1"1/4	1" 5/8-12 UN	32	66,68	93	31,75	95	38	25	23	15	56	43,5	3,4	M14x45	1/2x1"3/4	4150
	NU06-24	1"1/2	1" 7/8-12 UN	38	79,38	110	36,50	110	42	25	23	17	65,0	49,8	3,4	M16x50	5/8x2"	4187

Come Ordinare / How to Order:

Solo Flangia / Only Flange

NU0...08

Flangia completa di viti UNC, rondelle e o-ring

Complete flange with UNC screws, washers and o'ring

NU0...08U

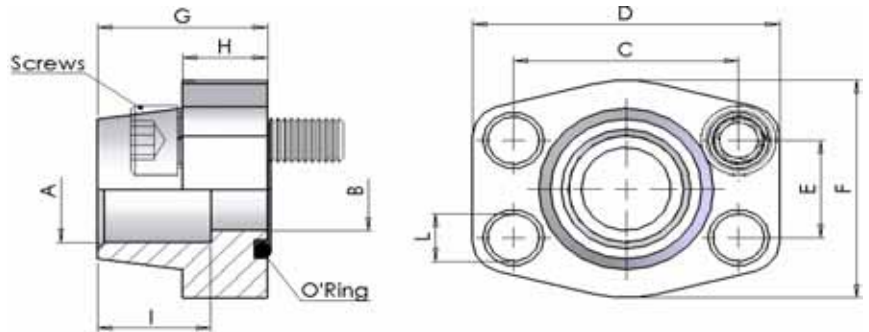
Flangia completa di viti metriche, rondelle e o-ring

Complete flange with metric screws, washers and o'ring

NU0...08M

FS03
Flange a saldare di tasca
FS06

Weld in flanges



max pressure bar	part number	SAE size	Dimensions										Viti Screws		O' R type
			A	B	C	D	E	F	G	H	I	L	Metric	Unc	

3000 psi

345	FS03-08	1/2"	21,6	13	38,10	57	17,48	46	36	16	19	9,0	M8x30	5/16x1"1/4	4075
	FS03-0806	1/2"	17,5	13	38,10	57	17,48	46	36	16	19	9,0	M8x30	5/16x1"1/4	4075
	FS03-12	3/4"	27,2	19	47,63	65	22,23	50	36	18	19	11,0	M10x35	3/8x1"1/2	4100
	FS03-16	1"	34	25	52,37	70	26,19	55	38	18	19	11,0	M10x35	3/8x1"1/2	4131
276	FS03-20	1"1/4	42,8	32	58,72	79	30,18	68	41	21	22	11,5	M10x40	7/16x1"3/4	4150
207	FS03-24	1"1/2	48,6	38	69,85	93	35,71	78	45	25	24	13,5	M12x45	1/2x1"3/4	4187
	FS03-32	2"	61	51	77,77	102	42,88	90	45	25	26	13,5	M12x45	1/2x1"3/4	4225
172	FS03-40	2"1/2	76,6	63	88,90	114	50,80	105	50	25	30	13,5	M12x45	1/2x1"3/4	4275
138	FS03-48	3"	90,5	73	106,38	134	61,93	124	50	27	34	17,5	M16x50	5/8x2"	4337
34	FS03-56	3"1/2	103	89	120,65	152	69,85	136	48	27	34	17,5	M16x50	5/8x2"	4387
	FS03-64	4"	115,5	99	130,18	162	77,77	146	48	27	34	17,5	M16x50	5/8x2"	4437

6000 psi

414	FS06-0808	1/2"	21,6	13	40,49	57	18,24	46	36	16	19	9	M8x30	5/16x1"1/4	4075
	FS06-0806	1/2"	17,5	13	40,49	57	18,24	46	36	16	19	9	M8x30	5/16x1"1/4	4075
	FS06-12	3/4"	27,2	19	50,80	71	23,80	55	35	21	22	11	M10x40	3/8x1"1/2	4100
	FS06-16	1"	34	25	57,15	81	27,76	65	42	25	22	13	M12x45	7/16x1"3/4	4131
	FS06-20	1"1/4	42,8	32	66,68	95	31,75	78	45	27	25	15	M14x45	1/2x1"3/4	4150
	FS06-24	1"1/2	48,6	38	79,38	112	36,50	94	50	30	28	17	M16x50	5/8x2"	4187
	FS06-32	2"	61	51	96,82	134	44,45	114	65	37	24	21	M20x70	3/4x2"1/2	4225
	FS06-40	2"1/2	76,6	63	123,80	180	58,70	152	80	45	32	26	M24x80	-	4275
	FS06-48	3"	90,5	73	152,40	208	71,40	178	90	55	30	33	M30x100	-	4337

Come Ordinare / How to Order:

Solo Flangia / Only Flange

FS0...08

Flangia completa di viti UNC, rondelle e o-ring

Complete flange with UNC screws, washers and o'ring

FS0...08U

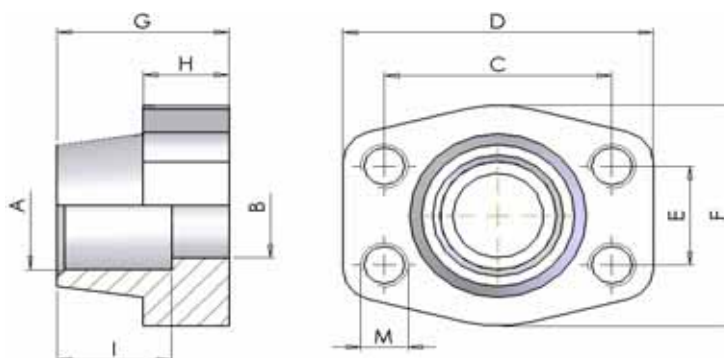
Flangia completa di viti metriche, rondelle e o-ring

Complete flange with metric screws, washers and o'ring

FS0...08M

CS03
Controflange a saldare di tasca
CS06

Weld in counter-flanges



max pressure bar	part number	SAE size	Dimensions									Metric M	Unc
			A	B	C	D	E	F	G	H	I		

3000 psi

345	CS03-08	1/2"	21,6	13	38,10	57	17,48	46	36	16	19	M8	5/16
	CS03-0806	1/2"	17,5	13	38,10	57	17,48	46	36	16	19	M8	5/16
	CS03-12	3/4"	27,2	19	47,63	65	22,23	50	36	18	19	M10	3/8
	CS03-16	1"	34	25	52,37	70	26,19	55	38	18	19	M10	3/8
276	CS03-20	1"1/4	42,8	32	58,72	79	30,18	68	41	21	22	M10	7/16
207	CS03-24	1"1/2	48,6	38	69,85	93	35,71	78	45	25	24	M12	1/2
	CS03-32	2"	61	51	77,77	102	42,88	90	45	25	26	M12	1/2
172	CS03-40	2"1/2	76,6	63	88,90	114	50,80	105	50	25	30	M12	1/2
138	CS03-48	3"	90,5	73	106,38	134	61,93	124	50	27	34	M16	5/8
34	CS03-56	3"1/2	103	89	120,65	152	69,85	136	48	27	34	M16	5/8
	CS03-64	4"	115,5	99	130,18	162	77,77	146	48	27	34	M16	5/8

6000 psi

414	CS06-0808	1/2"	21,6	13	40,49	57	18,24	46	36	16	19	M8	5/16
	CS06-0806	1/2"	17,5	13	40,49	57	18,24	46	36	16	19	M8	5/16
	CS06-12	3/4"	27,2	19	50,80	71	23,80	55	35	21	22	M10	3/8
	CS06-16	1"	34	25	57,15	81	27,76	65	42	25	22	M12	7/16
	CS06-20	1"1/4	42,8	32	66,68	95	31,75	78	45	27	25	M14	1/2
	CS06-24	1"1/2	48,6	38	79,38	112	36,50	94	50	30	28	M16	5/8
	CS06-32	2"	61	51	96,82	134	44,45	114	65	37	24	M20	3/4
	CS06-40	2"1/2	76,6	63	123,80	180	58,70	152	80	45	32	M24	-
	CS06-48	3"	90,5	73	152,40	208	71,40	178	90	55	30	M30	-

Come Ordinare / How to Order:

 Controflangia con fori di fissaggio metrici
 Counter flange with metric tapholes

CS0...08

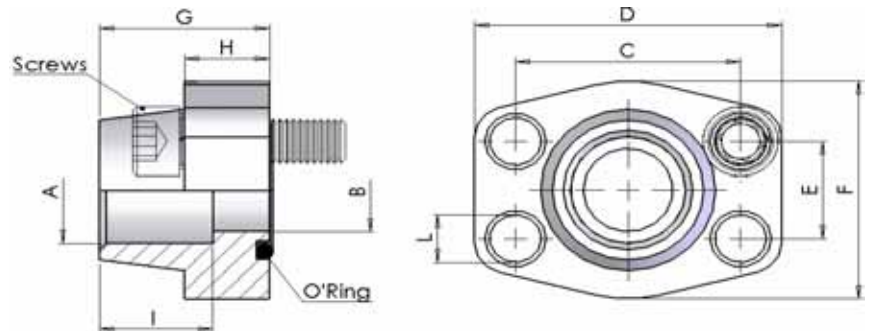
 Controflangia con fori di fissaggio UNC
 Counter flange with UNC tapholes

CS0...08U

FSM3 FSM6

Flange a saldare di tasca tubo metrico

Metric pipe weld in flanges



max pressure bar	part number	SAE size	Dimensions										Viti Screws		O' R type
			A	B	C	D	E	F	G	H	I	L	Metric	Unc	

3000 psi

345	FSM3-08	1/2"	20,3	13	38,10	57	17,48	46	36	16	19	9,0	M8x30	5/16x1"1/4	4075
	FSM3-12	3/4"	25,3	19	47,63	65	22,23	50	36	18	19	11,0	M10x35	3/8x1"1/2	4100
	FSM3-16	1"	30,3	25	52,37	70	26,19	55	38	18	19	11,0	M10x35	3/8x1"1/2	4131
276	FSM3-20	1"1/4	38,3	32	58,72	79	30,18	68	41	21	22	11,5	M10x40	7/16x1"3/4	4150
207	FSM3-24	1"1/2	50,5	38	69,85	93	35,71	78	45	25	24	13,5	M12x45	1/2x1"3/4	4187

6000 psi

414	FSM6-08	1/2"	20,3	13	40,49	57	18,24	46	36	16	19	9	M8x30	5/16x1"1/4	4075
	FSM6-12	3/4"	25,3	19	50,80	71	23,80	55	35	21	22	11	M10x40	3/8x1"1/2	4100
	FSM6-16	1"	30,3	25	57,15	81	27,76	65	42	25	22	13	M12x45	7/16x1"3/4	4131
	FSM6-20	1"1/4	38,3	32	66,68	95	31,75	78	45	27	25	15	M14x45	1/2x1"3/4	4150
	FSM6-2026	1"1/4	38,3	26	66,68	95	31,75	78	45	27	25	15	M14x45	-	4150
	FSM6-2028	1"1/4	38,3	28	66,68	95	31,75	78	45	27	25	15	M14x45	-	4150
	FSM6-24	1"1/2	50,5	38	79,38	112	36,50	94	50	30	28	17	M16x50	5/8x2"	4187

Come Ordinare / How to Order:

Solo Flangia / Only Flange

Flangia completa di viti UNC, rondelle e o-ring

Complete flange with UNC screws, washers and o'ring

Flangia completa di viti metriche, rondelle e o-ring

Complete flange with metric screws, washers and o'ring

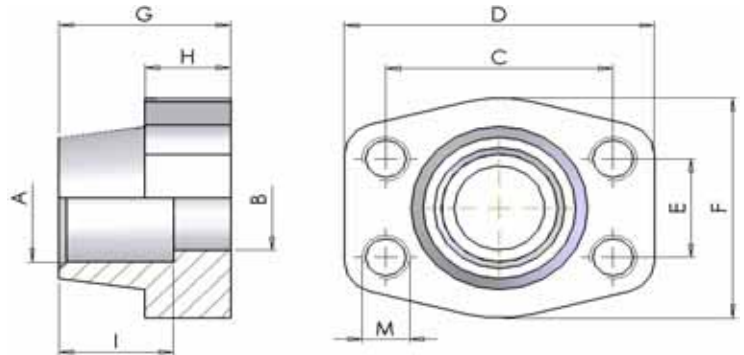
FSM...08

FSM....08U

FSM.....08M

CSM3 Controflange a saldare di tasca tubo
CSM6 metrico

Metric pipe weld in counter-flanges



max pressure bar	part number	SAE size	Dimensions										Metric M	Unc
			A	B	C	D	E	F	G	H	I			

3000 psi

345	CSM3-08	1/2"	20,3	13	38,10	57	17,48	46	36	16	19	M8	5/16
	CSM3-12	3/4"	25,3	19	47,63	65	22,23	50	36	18	19	M10	3/8
	CSM3-16	1"	30,3	25	52,37	70	26,19	55	38	18	19	M10	3/8
276	CSM3-20	1"1/4	38,3	32	58,72	79	30,18	68	41	21	22	M10	7/16
207	CSM3-24	1"1/2	50,5	38	69,85	93	35,71	78	45	25	24	M12	1/2

6000 psi

414	CSM6-08	1/2"	20,3	13	40,49	57	18,24	46	36	16	19	M8	5/16
	CSM6-12	3/4"	25,3	19	50,80	71	23,80	55	35	21	22	M10	3/8
	CSM6-16	1"	30,3	25	57,15	81	27,76	65	42	25	22	M12	7/16
	CSM6-20	1"1/4	38,3	32	66,68	95	31,75	78	45	27	25	M14	1/2
	CSM6-2026	1"1/4	38	26	66,68	95	31,75	78	45	27	25	M14	1/2
	CSM6-2028	1"1/4	38	28	66,68	95	31,75	78	45	27	25	M14	1/2
	CSM6-24	1"1/2	50,5	38	79,38	112	36,50	94	50	30	28	M16	5/8

Come Ordinare / How to Order:

Controflangia con fori di fissaggio metrici
 Counter flange with metric tapholes

CSM...08

Controflangia con fori di fissaggio UNC
 Counter flange with UNC tapholes

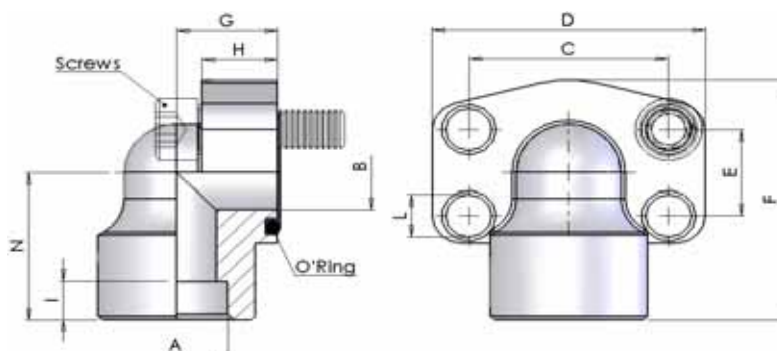
CSM...08U

NS03

Flange 90° a saldare di tasca

NS06

Weld In 90° Flanges



max pressure bar	part number	SAE size	Dimensions											Viti Screws		O' R type
			A	B	C	D	E	F	G	H	I	L	N	Metric	Unc	

3000 psi

345	NS03-08	1/2"	21,6	13,0	38,10	54	17,48	60	20	16	10	9,0	37	M8x30	5/16x1"1/4	4075
	NS03-0806	1/2"	17,5	13,0	38,10	54	17,48	60	20	16	10	9,0	37	M8x30	5/16x1"1/4	4075
	NS03-12	3/4"	27,2	19,0	47,63	65	22,23	63	24	18	10	11,0	38	M10x35	3/8x1"1/2	4100
	NS03-16	1"	34,0	25,0	52,37	70	26,19	70	28	19	12	11,0	43	M10x35	3/8x1"1/2	4131
276	NS03-20	1"1/4	42,8	32,0	58,72	79	30,18	85	34	21	14	11,5	51	M10x40	7/16x1"3/4	4150
207	NS03-24	1"1/2	48,6	38,0	69,85	93	35,71	95	38	25	16	13,5	56	M12x45	1/2x1"3/4	4187
	NS03-32	2"	61,0	51,0	77,77	110	42,88	110	42	25	18	13,5	65	M12x45	1/2x1"3/4	4225

6000 psi

414	NS06-0808	1/2"	21,6	13,0	40,49	54	18,24	60	20	16	10	9	37	M8x30	5/16x1"1/4	4075
	NS06-0806	1/2"	17,5	13,0	40,49	54	18,24	60	20	16	10	9	37	M8x30	5/16x1"1/4	4075
	NS06-12	3/4"	27,2	19,0	50,80	70	23,80	70	28	19	12	11	43	M10x40	3/8x1"1/2	4100
	NS06-16	1"	34,0	25,0	57,15	79	27,76	85	34	21	14	13	51	M12x45	7/16x1"3/4	4131
	NS06-20	1"1/4	42,8	32,0	66,68	93	31,75	95	38	25	16	15	56	M14x45	1/2x1"3/4	4150
	NS06-24	1"1/2	48,6	38,0	79,38	110	36,50	110	42	25	18	17	65	M16x50	5/8x2"	4187
	NS06-32	2"	61,0	51,0	96,82	134	44,45	132	45	35	25	21	75	M20x70	3/4x2"1/2	4225

Come Ordinare / How to Order:

Solo Flangia / Only Flange

NS0...08

Flangia completa di viti UNC, rondelle e o-ring

Complete flange with UNC screws, washers and o'ring

NS0...08U

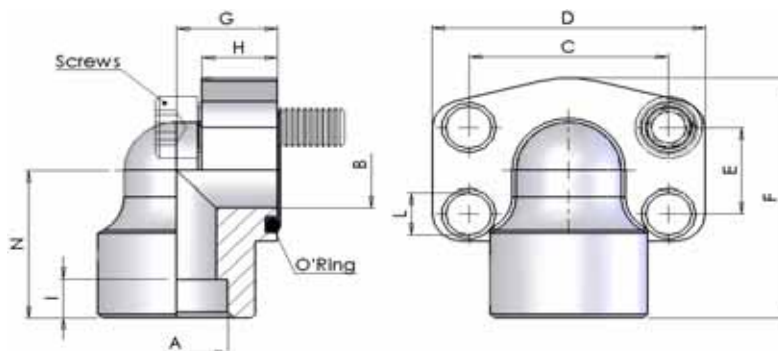
Flangia completa di viti metriche, rondelle e o-ring

Complete flange with metric screws, washers and o'ring

NS0...08M

NSM3 Flange 90° a saldare di tasca tubo
NSM6 metrico

Metric pipe weld in 90° flanges



max pressure bar	part number	SAE size	Dimensions											Viti Screws		O' R type
			A	B	C	D	E	F	G	H	I	L	N	Metric	Unc	

3000 psi

345	NSM3-08	1/2"	20,3	13,0	38,10	54	17,48	60	20	16	10,0	9,0	37	M8x30	5/16x1"1/4	4075
	NSM3-12	3/4"	25,3	19,0	47,63	65	22,23	63	24	18	10,0	11,0	38	M10x35	3/8x1"1/2	4100
	NSM3-16	1"	30,3	25,0	52,37	70	26,19	70	28	19	12,0	11,0	43	M10x35	3/8x1"1/2	4131
276	NSM3-20	1"1/4	38,3	32,0	58,72	79	30,18	85	34	21	14,0	11,5	51	M10x40	7/16x1"3/4	4150
207	NSM3-24	1"1/2	50,5	38,0	69,85	93	35,71	95	38	25	16,0	13,5	56	M12x45	1/2x1"3/4	4187

6000 psi

414	NSM6-08	1/2"	20,3	13,0	40,49	54	18,24	60	20	16	10	9	37	M8x30	5/16x1"1/4	4075
	NSM6-12	3/4"	25,3	19,0	50,80	70	23,80	70	28	19	12	11	43	M10x40	3/8x1"1/2	4100
	NSM6-16	1"	30,3	25,0	57,15	79	27,76	85	34	21	14	13	51	M12x45	7/16x1"3/4	4131
	NSM6-20	1"1/4	38,3	32,0	66,68	93	31,75	95	38	25	16	15	56	M14x45	1/2x1"3/4	4150
	NSM6-24	1"1/2	50,5	38,0	79,38	110	36,50	110	42	25	18	17	65	M16x50	5/8x2"	4187

Come Ordinare / How to Order:

Solo Flangia / Only Flange

NSM...08

Flangia completa di viti UNC, rondelle e o-ring

Complete flange with UNC screws, washers and o'ring

NSM....08U

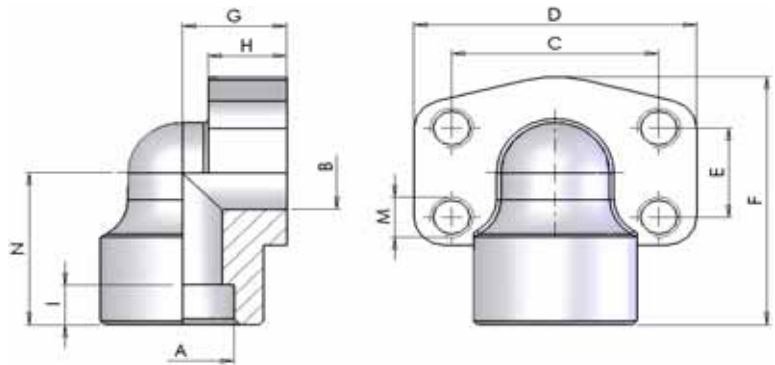
Flangia completa di viti metriche, rondelle e o-ring

Complete flange with metric screws, washers and o'ring

NSM....08M

VS03 **Controflange 90° a saldare di tasca**
VS06

Weld in 90° counter-flanges



max pressure bar	part number	SAE size	Dimensions										Metric M
			A	B	C	D	E	F	G	H	I	N	

3000 psi

345	VS03-08	1/2"	21,6	13	38,10	54	17,48	17	20	16	10	37	M8
	VS03-0806	1/2"	17,5	13	38,10	54	17,48	17	20	16	10	37	M8
	VS03-12	3/4"	27,2	19	47,63	65	22,23	22	24	18	10	38	M10
	VS03-16	1"	34,0	25	52,37	70	26,19	26	28	19	12	43	M10
276	VS03-20	1"1/4	42,8	32	58,72	79	30,18	30	34	21	14	51	M10
207	VS03-24	1"1/2	48,6	38	69,85	93	35,71	36	38	25	16	56	M12
	VS03-32	2"	61,0	51	77,77	110	42,88	43	42	25	18	65	M12

6000 psi

414	VS06-0808	1/2"	21,6	13	40,49	54	18,24	18	20	16	10	37	M8
	VS06-0806	1/2"	17,5	13	40,49	54	18,24	18	20	16	10	37	M8
	VS06-12	3/4"	27,2	19	50,80	70	23,80	24	28	19	12	43	M10
	VS06-16	1"	34,0	25	57,15	79	27,76	28	34	21	14	51	M12
	VS06-20	1"1/4	42,8	32	66,68	93	31,75	32	38	25	16	56	M14
	VS06-24	1"1/2	48,6	38	79,38	110	36,50	37	42	25	18	65	M16
	VS06-32	2"	61,0	51	96,82	134	44,45	44	45	35	25	75	M20

Come Ordinare / How to Order:

Controflangia con fori di fissaggio metrici
 Counter flange with metric tapholes

VS0...08

Controflangia con fori di fissaggio UNC
 Counter flange with UNC tapholes

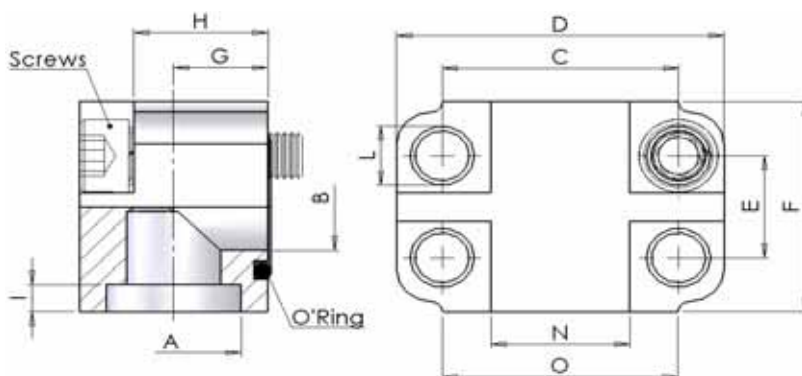
VS0...08U

BS03

Flange 90° a saldare di tasca

BS06

Weld In 90° Flanges



max pressure bar	part number	SAE size	Dimensions												Viti Screws		O' R type
			A	B	C	D	E	F	G	H	I	L	N	O	Metric		

3000 psi

345	BS03-12	3/4"	27,2	19	47,63	66	22,23	46	19	27	5	11	28	48	M10x45	4100
	BS03-16	1"	34,0	25	52,37	71	26,19	55	22	34	6	11	32	50	M10x50	4131
276	BS03-20	1"1/4	42,8	32	58,72	81	30,18	65	27	42	7	12	35	60	M10x60	4150
207	BS03-24	1"1/2	48,6	38	69,85	95	35,71	75	32	50	8	14	42	70	M12x70	4187
	BS03-32	2"	61,0	51	77,77	112	42,88	90	40	63	10	14	50	80	M12x80	4225
172	BS03-40	2"1/2	76,6	63	88,90	120	50,80	120	53	99	15	14	-	-	-	4275

6000 psi

414	BS06-12	3/4"	27,2	19	50,80	71	23,80	55	22	34	6	11	32	50	M10x50	4100
	BS06-16	1"	34,0	25	57,15	81	27,76	65	27	42	7	13	35	60	M12x60	4131
	BS06-20	1"1/4	42,8	32	66,68	95	31,75	75	32	50	8	15	42	70	M14x70	4150
	BS06-24	1"1/2	48,6	38	79,38	112	36,50	90	40	63	10	17	50	80	M16x90	4187

Come Ordinare / How to Order:

Solo Flangia / Only Flange

Flangia completa di viti metriche, rondelle e o-ring

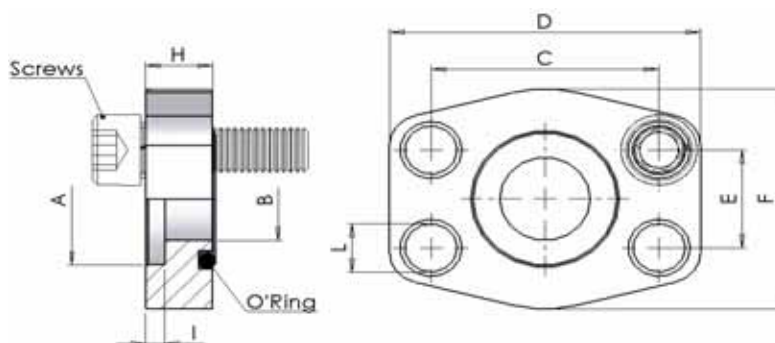
Complete flange with metric screws, washers and o'ring

BS0...08

BS0....08M

PS03 Flange piatte a saldare di tasca

Weld In Flat Flanges



max pressure bar	part number	SAE size	Dimensions									Viti Screws	O' R
			A	B	C	D	E	F	H	I	L	Metric	type

3000 psi

40	PS03-08	1/2"	22,5	15	38,10	56	17,48	46	14	3	9,0	M8x25	4075
	PS03-12	3/4"	28,5	20	47,63	65	22,23	50	12	4	11,0	M10x30	4100
	PS03-16	1"	35,5	29	52,37	70	26,19	55	12	4	11,0	M10x30	4131
	PS03-20	1"1/4	42,5	34	58,72	79	30,18	68	12	4	11,5	M10x30	4150
	PS03-24	1"1/2	49,0	42	69,85	93	35,71	78	15	4	13,5	M12x35	4187
	PS03-32	2"	61,0	53	77,77	102	42,88	90	15	4	13,5	M12x35	4225
	PS03-40	2"1/2	77,0	64	88,90	114	50,80	105	15	4	13,5	M12x35	4275
	PS03-48	3"	90,0	80	106,38	134	61,93	124	20	5	17,5	M16x50	4337
	PS03-56	3"1/2	103,0	93	120,65	152	69,85	136	20	5	17,5	M16x50	4387
	PS03-64	4"	116,0	105	130,18	162	77,77	146	25	6	17,5	M16x50	4437

Come Ordinare / How to Order:

Solo Flangia / Only Flange

Flangia completa di viti metriche, rondelle e o-ring

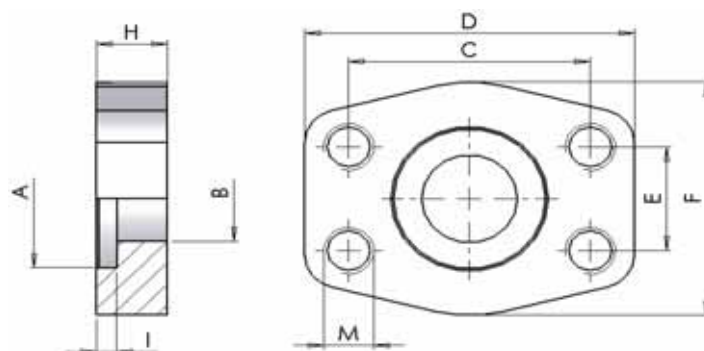
Complete flange with metric screws, washers and o'ring

PS0...08

PS0....08M

LS03 Controflange piatte a saldare di tasca

Weld In Flat Counter Flanges



max pressure bar	part number	SAE size	Dimensions								Metric M	Unc
			A	B	C	D	E	F	H	I		

3000 psi

40	LS03-08	1/2"	22,5	15	38,10	56	17,48	46	14	3	M8	5/16
	LS03-12	3/4"	28,5	20	47,63	65	22,23	50	12	4	M10	3/8
	LS03-16	1"	35,5	29	52,37	70	26,19	55	12	4	M10	3/8
	LS03-20	1"1/4	42,5	34	58,72	79	30,18	68	12	4	M10	7/16
	LS03-24	1"1/2	49,0	42	69,85	93	35,71	78	15	4	M12	1/2
	LS03-32	2"	61	53	77,77	102	42,88	90	15	4	M12	1/2
	LS03-40	2"1/2	77	64	88,90	114	50,80	105	15	4	M12	1/2
	LS03-48	3"	90	80	106,38	134	61,93	124	20	5	M16	5/8
	LS03-56	3"1/2	103	93	120,65	152	69,85	136	20	5	M16	5/8
	LS03-64	4"	116	105	130,18	162	77,77	146	25	6	M16	5/8

Come Ordinare / How to Order:

Controflangia con fori di fissaggio metrici
Counter flange with metric tapholes

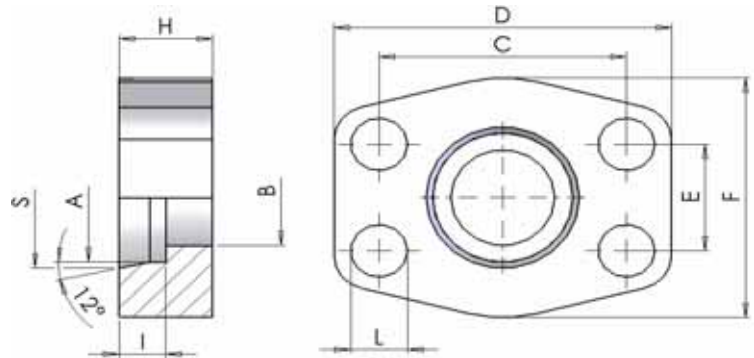
LS0...08

Controflangia con fori di fissaggio UNC
Counter flange with UNC tapholes

LS0...08U

FFTR Flange piatte con tasca

Poket Flat Flanges



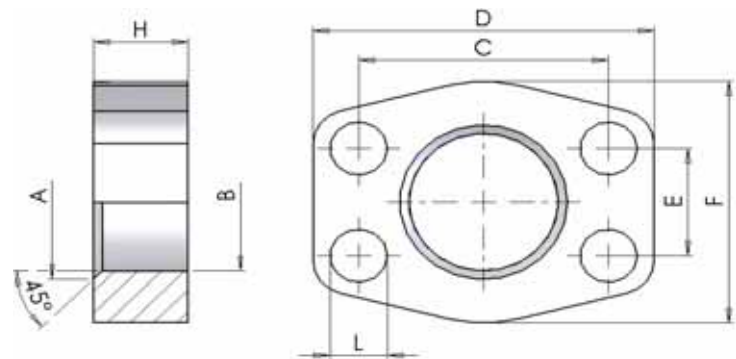
max pressure bar	part number	SAE size	Dimensions									
			A	B	C	D	E	F	H	I	L	S

6000 psi

414	FFTR-0817	1/2"	17,0	14	40,49	56	18,24	48	14	9	9,0	19,5
	FFTR-0822	1/2"	22,0	16	40,49	56	18,24	48	14	9	9,0	24
	FFTR-12	3/4"	27,0	20	50,80	71	23,80	60	18	9	11,0	29,5
	FFTR-16	1"	34,0	26	57,15	81	27,76	70	22	13	14,0	36
	FFTR-20	1 1/4"	43,0	32	66,68	95	31,75	78	25	16	16,0	46

FFOR Flange piatte con foro passante

Flat Flanges With Through Hole



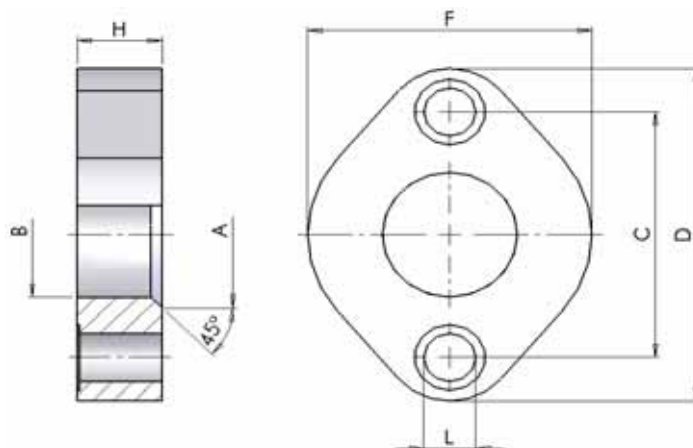
max pressure bar	part number	SAE size	Dimensions									
			A	B	C	D	E	F	H	L		

6000 psi

414	FFOR-08	1/2"	22	21	40,49	56	18,24	48	14	9
	FFOR-10	1/2"	27	24	40,49	56	18,24	48	14	9
	FFOR-12	3/4"	32	29	50,80	71	23,80	60	18	11
	FFOR-16	1"	43	38	57,15	81	27,76	70	22	14
	FFOR-20	1 1/4"	49	44	66,68	95	31,75	78	25	16

FFOR Flange ovali con foro passante

Oval Flanges With Through Hole



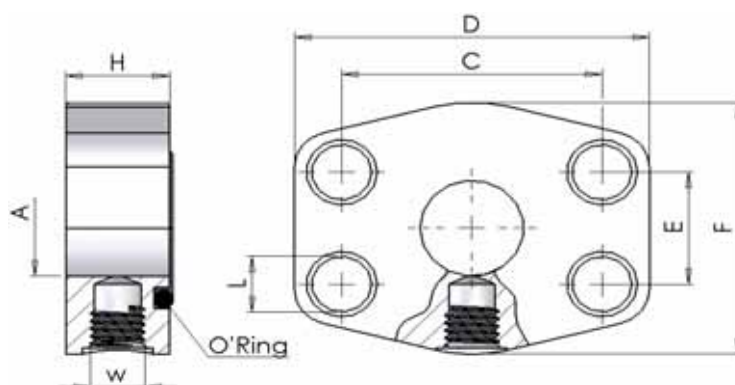
max pressure bar	part number	SAE size	Dimensions						
			A	B	C	D	F	H	L

6000 psi

414	FFOR-08-2F	1/2"	22	20,5	44,40	60	48	14	8,5
	FFOR-10-2F	1/2"	27	24,0	44,40	60	48	14	8,5
	FFOR-12-2F	3/4"	32	28,5	56,10	76	60	18	10,5
	FFOR-16-2F	1"	43	37,5	63,60	88	70	22	12,5
	FFOR-20-2F	1 1/4"	49	44,0	73,90	103	78	25	14,5

FFC3 Flange SAE per controllo di
FFC6 Pressione

Check Pressure Sae Flange



max pressure bar	part number	SAE size	Dimensions								O' R type
			A	C	D	E	F	H	L	W	

3000 psi

345	FFC3-16	1"	25,0	52,37	71	26,19	60	19	11	M10 - G1/8	4131
276	FFC3-20	1"1/4	32	58,72	81	30,18	68	20	12	M10 - M12 - G1/8 - G1/4	4150
207	FFC3-24	1"1/2	38	69,85	95	35,71	78	25	14	M10 - M12 - G1/8 - G1/4	4187
	FFC3-32	2"	51	77,77	102	42,88	90	19	14	M10 - G1/8	4225
172	FFC3-40	2"1/2	63	88,90	114	50,80	105	19	14	M10 - G1/8	4275
138	FFC3-48	3"	73	106,38	134	61,93	124	23	18	M10 - M12 - G1/8 - G1/4	4337

6000 psi

414	FFC6-12	3/4"	19	50,80	71	23,80	60	19	11	M10 - G1/8	4100
	FFC6-16	1"	25	57,15	81	27,76	70	22	13	M10 - M12 - G1/8 - G1/4	4131
	FFC6-20	1"1/4	32	66,68	95	31,75	78	25	15	M10 - M12 - G1/8 - G1/4	4150
	FFC6-24	1"1/2	38	79,38	112	36,50	94	28	17	M10 - M12 - G1/8 - G1/4	4187
	FFC6-32	2"	51	96,82	134	44,45	114	28	21	M10 - M12 - G1/8 - G1/4	4225

Come Ordinare / How to Order:

Solo flangia con foro metrico (esempio codice)
Only flange with metric hole (ordering example)

FFC3-20M12

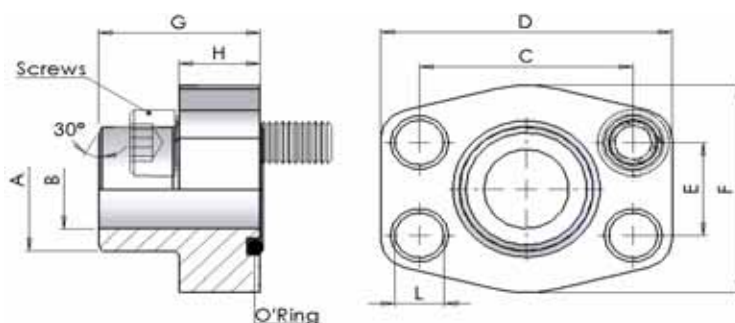
Solo flangia con foro BSP (esempio codice)
Only flange with BSP hole (ordering example)

FFC3-20G04

FB03 FB06

Flange a saldare di testa

Weld On Flanges



max pressure bar	part number	SAE size	Dimensions									Viti Screws		O' R type
			A	B	C	D	E	F	G	H	L	Metric	Unc	

3000 psi

345	FB03-08	1/2"	21,5	13	38,10	57	17,48	46	36	16	9,0	M8x30	5/16x1"1/4	4075
	FB03-0806	1/2"	17,5	13	38,10	57	17,48	46	36	16	9,0	M8x30	5/16x1"1/4	4075
	FB03-12	3/4"	28,0	19	47,63	65	22,23	50	36	18	11,0	M10x35	3/8x1"1/2	4100
	FB03-16	1"	34,0	25	52,37	70	26,19	55	38	18	11,0	M10x35	3/8x1"1/2	4131
276	FB03-20	1"1/4	42,8	32	58,72	79	30,18	68	41	21	11,5	M10x40	7/16x1"3/4	4150
207	FB03-24	1"1/2	48,6	38	69,85	93	35,71	78	44	25	13,5	M12x45	1/2x1"3/4	4187
	FB03-32	2"	61,0	51	77,77	102	42,88	90	45	25	13,5	M12x45	1/2x1"3/4	4225
172	FB03-40	2"1/2	77,0	63	88,90	114	50,80	105	50	25	13,5	M12x45	1/2x1"3/4	4275
138	FB03-48	3"	92,0	73	106,38	134	61,93	124	50	27	17,5	M16x50	5/8x2"	4337
34	FB03-56	3"1/2	103,0	89	120,65	152	69,85	136	48	27	17,5	M16x50	5/8x2"	4387
	FB03-64	4"	115,5	99	130,18	162	77,77	146	48	27	17,5	M16x50	5/8x2"	4437

6000 psi

414	FB06-0808	1/2"	21,5	13	40,49	57	18,24	46	36	16	9	M8x30	5/16x1"1/4	4075
	FB06-0806	1/2"	17,5	13	40,49	57	18,24	46	36	16	9	M8x30	5/16x1"1/4	4075
	FB06-12	3/4"	28,0	19	50,80	71	23,80	55	35	21	11	M10x40	3/8x1"1/2	4100
	FB06-16	1"	34,0	25	57,15	79	27,76	68	41	21	13	M12x45	7/16x1"3/4	4131
375	FB06-20	1"1/4	42,8	32	66,68	93	31,75	78	44	25	15	M14x45	1/2x1"3/4	4150
320	FB06-24	1"1/2	48,6	38	79,38	112	36,50	94	55	30	17	M16x50	5/8x2"	4187
250	FB06-32	2"	61,0	51	96,82	134	44,45	114	65	37	21	M20x70	3/4x2"1/2	4225
230	FB06-40	2"1/2	76,6	63	123,80	180	58,70	152	80	45	26	M24x80	--	4275
200	FB06-48	3"	90,0	73	152,40	208	71,40	178	90	55	33	M30x100	--	4337

Come Ordinare / How to Order:

Solo Flangia / Only Flange

FB0...08

Flangia completa di viti UNC, rondelle e o-ring

Complete flange with UNC screws, washers and o'ring

FB0...08U

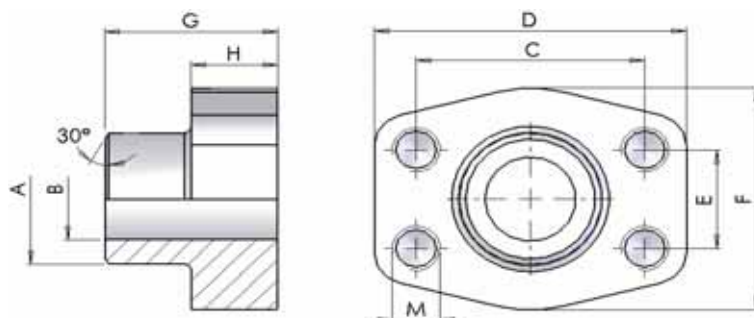
Flangia completa di viti metriche, rondelle e o-ring

Complete flange with metric screws, washers and o'ring

FB0...08M

CB03 **Controflange a saldare di testa**
CB06

Weld On Counter-Flanges



max pressure bar	part number	SAE size	Dimensions								Metric M	Unc
			A	B	C	D	E	F	G	H		

3000 psi

345	CB03-08	1/2"	21,5	13	38,10	57	17,48	46	36	16	M8	5/16
	CB03-0806	1/2"	17,5	13	38,10	57	17,48	46	36	16	M8	5/16
	CB03-12	3/4"	28,0	19	47,63	65	22,23	50	36	18	M10	3/8
	CB03-16	1"	34,0	25	52,37	70	26,19	55	38	18	M10	3/8
276	CB03-20	1"1/4	42,8	32	58,72	79	30,18	68	41	21	M10	7/16
207	CB03-24	1"1/2	48,6	38	69,85	93	35,71	78	44	25	M12	1/2
	CB03-32	2"	61,0	51	77,77	102	42,88	90	45	25	M12	1/2
172	CB03-40	2"1/2	77,0	63	88,90	114	50,80	105	50	25	M12	1/2
138	CB03-48	3"	92,0	73	106,38	134	61,93	124	50	27	M16	5/8
34	CB03-56	3"1/2	103,0	89	120,65	152	69,85	136	48	27	M16	5/8
	CB03-64	4"	115,5	99	130,18	162	77,77	146	48	27	M16	5/8

6000 psi

414	CB06-0808	1/2"	21,5	13	40,49	57	18,24	46	36	16	M8	5/16
	CB06-0806	1/2"	17,5	13	40,49	57	18,24	46	36	16	M8	5/16
	CB06-12	3/4"	28,0	19	50,80	71	23,80	55	35	21	M10	3/8
	CB06-16	1"	34,0	25	57,15	79	27,76	68	41	21	M12	7/16
375	CB06-20	1"1/4	42,8	32	66,68	93	31,75	78	44	25	M14	1/2
320	CB06-24	1"1/2	48,6	38	79,38	112	36,50	94	55	30	M16	5/8
250	CB06-32	2"	61,0	51	96,82	134	44,45	114	65	37	M20	3/4
230	CB06-40	2"1/2	76,6	63	123,80	180	58,70	152	80	45	M24	----
200	CB06-48	3"	90,0	73	152,40	208	71,40	178	90	55	M30	----

Come Ordinare / How to Order:

Controflangia con fori di fissaggio metrici
 Counter flange with metric tapholes

CB0...08

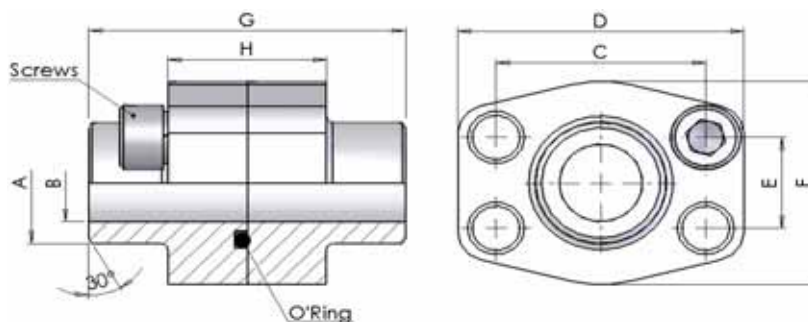
Controflangia con fori di fissaggio UNC
 Counter flange with UNC tapholes

CB0...08U

DB03 Doppie Flange a saldare di testa

DB06

Weld On Double Flanges



max pressure bar	part number	SAE size	Dimensions								Viti Screws		O' R type
			A	B	C	D	E	F	G	H	Metric	Unc	

3000 psi

345	DB03-08	1/2"	21,5	13	38,10	57	17,48	46	72	32	M8x30	5/16x1"1/4	4075
	DB03-0806	1/2"	17,5	13	38,10	57	17,48	46	72	32	M8x30	5/16x1"1/4	4075
	DB03-12	3/4"	28,0	19	47,63	65	22,23	50	72	36	M10x35	3/8x1"1/2	4100
	DB03-16	1"	34,0	25	52,37	70	26,19	55	76	36	M10x35	3/8x1"1/2	4131
276	DB03-20	1"1/4	42,8	32	58,72	79	30,18	68	82	42	M10x40	7/16x1"3/4	4150
207	DB03-24	1"1/2	48,6	38	69,85	93	35,71	78	88	50	M12x45	1/2x1"3/4	4187
	DB03-32	2"	61,0	51	77,77	102	42,88	90	90	50	M12x45	1/2x1"3/4	4225
172	DB03-40	2"1/2	77,0	63	88,90	114	50,80	105	100	50	M12x45	1/2x1"3/4	4275
138	DB03-48	3"	92,0	73	106,38	134	61,93	124	100	54	M16x50	5/8x2"	4337
34	DB03-56	3"1/2	103,0	89	120,65	152	69,85	136	96	54	M16x50	5/8x2"	4387
	DB03-64	4"	115,5	99	130,18	162	77,77	146	96	54	M16x50	5/8x2"	4437

6000 psi

414	DB06-0808	1/2"	21,5	13	40,49	57	18,24	46	72	32	M8x30	5/16x1"1/4	4075
	DB06-0806	1/2"	17,5	13	40,49	57	18,24	46	72	32	M8x30	5/16x1"1/4	4075
	DB06-12	3/4"	28,0	19	50,80	71	23,80	55	70	42	M10x40	3/8x1"1/2	4100
	DB06-16	1"	34,0	25	57,15	79	27,76	68	82	42	M12x45	7/16x1"3/4	4131
375	DB06-20	1"1/4	42,8	32	66,68	93	31,75	78	88	50	M14x45	1/2x1"3/4	4150
320	DB06-24	1"1/2	48,6	38	79,38	112	36,50	94	110	60	M16x50	5/8x2"	4187
250	DB06-32	2"	61,0	51	96,82	134	44,45	114	130	74	M20x70	3/4x2"1/2	4225
230	DB06-40	2"1/2	76,6	63	123,80	180	58,70	152	160	90	M24x80	----	4275
200	DB06-48	3"	90,0	73	152,40	208	71,40	178	180	110	M30x100	----	4337

Come Ordinare / How to Order:

Doppia flangia completa di viti metriche, rondelle e o-ring
Complete double flange with metrical screws, washers and o-ring

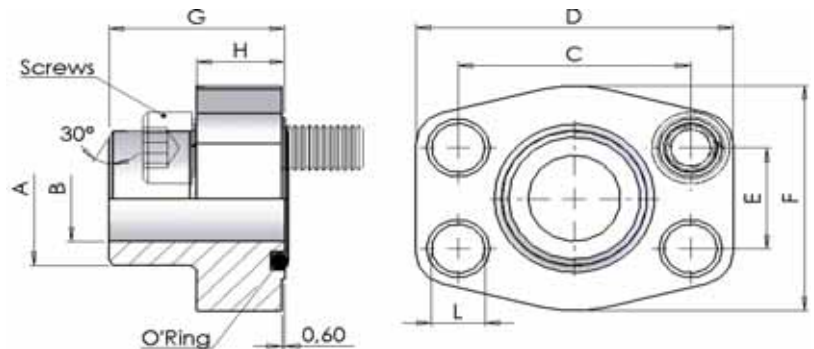
DB0...08

Doppia flangia completa di viti UNC, rondelle e o-ring
Complete double flange with UNC screws, washers and o-ring

DB0...08U

FBM3 Flange a saldare di testa tubo FBM6 metrico foro cilindrico

Metric Pipe Cylindric Hole Weld On Flanges



max pressure bar	part number	SAE size	Dimensions									Viti Screws		O' R type
			A	B	C	D	E	F	G	H	L	Metric	Unc	

3000 psi

345	FBM3-12	3/4"	25,0	19	47,63	65	22,23	50	36	18	11,0	M10x35	3/8x1"1/2	4100
	FBM3-16	1"	30,0	22	52,37	70	26,19	55	38	18	11,0	M10x35	3/8x1"1/2	4131
276	FBM3-20	1"1/4	38,0	30	58,72	79	30,18	68	41	21	11,5	M10x40	7/16x1"3/4	4150
207	FBM3-24	1"1/2	42,0	36	69,85	93	35,71	78	45	25	13,5	M12x45	1/2x1"3/4	4187
	FBM3-2448	1"1/2	49,0	38	69,85	93	35,71	78	45	25	13,5	M12x45	1/2x1"3/4	4187
	FBM3-32	2"	49,0	42	77,77	102	42,88	90	45	25	13,5	M12x45	1/2x1"3/4	4225
172	FBM3-3260	2"	61,0	49	77,77	102	42,88	90	45	25	13,5	M12x45	1/2x1"3/4	4225
	FBM3-40	2"1/2	77,0	62	88,90	114	50,80	105	50	25	13,5	M12x45	1/2x1"3/4	4275
138	FBM3-48	3"	77,0	70	106,38	134	61,93	124	51	26	17,5	M16x50	5/8x2"	4337
	FBM3-4876	3"	77,0	62	106,38	134	61,93	124	51	26	17,5	M16x50	5/8x2"	4337
34	FBM3-56	3"1/2	77,0	70	120,65	152	69,85	136	48	26	17,5	M16x50	5/8x2"	4387
	FBM3-5688	3"1/2	90,0	82	120,65	152	69,85	136	48	26	17,5	M16x50	5/8x2"	4387
	FBM3-64	4"	77,0	70	130,18	162	77,77	146	48	26	17,5	M16x50	5/8x2"	4437
	FBM3-6488	4"	90,0	82	130,18	162	77,77	146	48	26	17,5	M16x50	5/8x2"	4437

6000 psi

414	FBM6-08	1/2"	20,0	14	40,49	57	18,24	46	34	16	9	M8x30	5/16x1"1/4	4075
	FBM6-12	3/4"	20,0	14	50,80	71	23,80	55	35	21	11	M10x40	3/8x1"1/2	4100
	FBM6-1225	3/4"	25,0	17	50,80	71	23,80	55	35	21	11	M10x40	3/8x1"1/2	4100
	FBM6-16	1"	25,0	19	57,15	81	27,76	65	42	25	13	M12x45	7/16x1"3/4	4131
	FBM6-1630	1"	30,0	22	57,15	81	27,76	65	42	25	13	M12x45	7/16x1"3/4	4131
	FBM6-20	1"1/4	38,0	28	66,68	95	31,75	78	44	25	15	M14x45	1/2x1"3/4	4150
	FBM6-24	1"1/2	38,0	28	79,38	112	36,50	94	56	28	17	M16x50	5/8x2"	4187
	FBM6-32	2"	61,0	40	96,82	134	44,45	114	65	37	21	M20x70	3/4x2"1/2	4225
	FBM6-40	2"1/2	76,6	50	123,80	180	58,70	152	80	45	26	M24x80	----	4275

Come Ordinare / How to Order:

Solo Flangia / Only Flange

Flangia completa di viti UNC, rondelle e o-ring

Complete flange with UNC screws, washers and o'ring

Flangia completa di viti metriche, rondelle e o-ring

Complete flange with metric screws, washers and o'ring

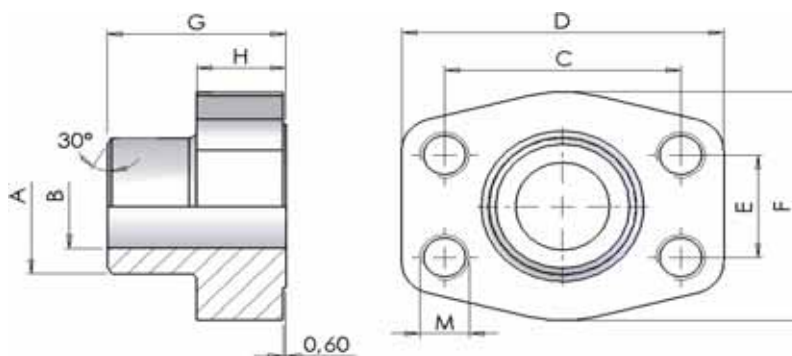
FBM...08

FBM....08U

FBM....08M

CBM3 Controflange a saldare di testa
CBM6 tubo metrico foro cilindrico

Metric Pipe Cylindric Hole Weld On Counter-Flanges



max pressure bar	part number	SAE size	Dimensions								Metric M	Unc
			A	B	C	D	E	F	G	H		

3000 psi

345	CBM3-12	3/4"	25,0	19	47,63	65	22,23	50	36	18	M10	3/8
	CBM3-16	1"	30,0	22	52,37	70	26,19	55	38	18	M10	3/8
276	CBM3-20	1 1/4"	38,0	30	58,72	79	30,18	68	41	21	M10	7/16
207	CBM3-24	1 1/2"	42,0	36	69,85	93	35,71	78	45	25	M12	1/2
	CBM3-2448	1 1/2"	49,0	38	69,85	93	35,71	78	45	25	M12	1/2
	CBM3-32	2"	49,0	42	77,77	102	42,88	90	45	25	M12	1/2
172	CBM3-3260	2"	61,0	49	77,77	102	42,88	90	45	25	M12	1/2
	CBM3-40	2 1/2"	77,0	62	88,90	114	50,80	105	50	25	M12	1/2
138	CBM3-48	3"	77,0	70	106,38	134	61,93	124	51	26	M16	5/8
	CBM3-4876	3"	77,0	62	106,38	134	61,93	124	51	26	M16	5/8
34	CBM3-56	3 1/2"	77,0	70	120,65	152	69,85	136	48	26	M16	5/8
	CBM3-5688	3 1/2"	90,0	82	120,65	152	69,85	136	48	26	M16	5/8
	CBM3-64	4"	77,0	70	130,18	162	77,77	146	48	26	M16	5/8
	CBM3-6488	4"	90,0	82	130,18	162	77,77	146	48	26	M16	5/8

6000 psi

414	CBM6-08	1/2"	20,0	14	40,49	57	18,24	46	34	16	M8	5/16
	CBM6-12	3/4"	20,0	14	50,80	71	23,80	55	35	21	M10	3/8
	CBM6-1225	3/4"	25,0	17	50,80	71	23,80	55	35	21	M10	3/8
	CBM6-16	1"	25,0	19	57,15	81	27,76	65	42	25	M12	7/16
	CBM6-1630	1"	30,0	22	57,15	81	27,76	65	42	25	M12	7/16
	CBM6-20	1 1/4"	38,0	28	66,68	95	31,75	78	44	25	M14	1/2
	CBM6-2026	1 1/4"	38,0	26	66,68	95	31,75	78	44	25	M14	1/2
	CBM6-24	1 1/2"	38,0	28	79,38	112	36,50	94	56	28	M16	5/8
	CBM6-2432	1 1/2"	48,6	32	79,38	112	36,50	94	56	28	M16	5/8
	CBM6-32	2"	61,0	40	96,82	134	44,45	114	65	37	M20	3/4
	CBM6-40	2 1/2"	76,6	50	123,80	180	58,70	152	80	45	M24	---

Come Ordinare / How to Order:

Controflangia con fori di fissaggio metrici
 Counter flange with metric tapholes

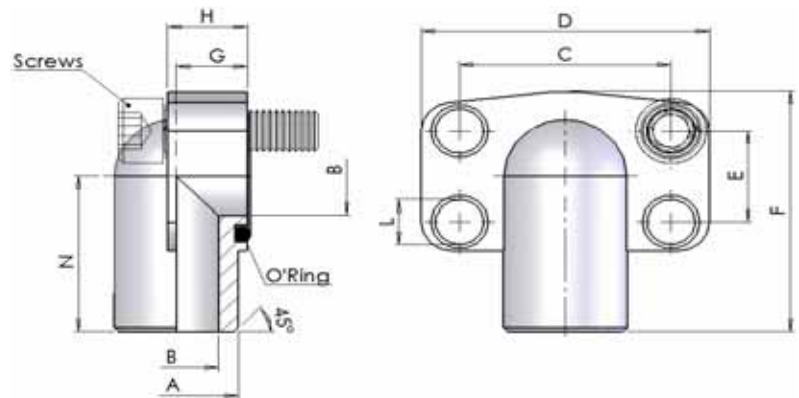
CBM...08

Controflangia con fori di fissaggio UNC
 Counter flange with UNC tapholes

CBM...08U

BB03 Flange a 90° a saldare di testa
BB06

Weld On 90° Flanges



max pressure bar	part number	SAE size	Dimensions										Viti Screws		O' R type
			A	B	C	D	E	F	G	H	L	N	Metric	Unc	

3000 psi

345	BB03-12	3/4"	27,2	19	47,63	70	22,23	63	23,0	21	11,0	41	M10x40	----	3100
	BB03-16	1"	34,5	23	52,37	75	26,19	72	25,0	24	11,0	48	M10x40	----	4112
276	BB03-20	1"1/4	43,0	31	58,72	86	30,18	82	27,0	25	11,5	54	M10x45	----	4150
207	BB03-24	1"1/2	50,0	35	69,85	97	35,71	92	31,5	29	14,0	57	M12x60	----	4187
	BB03-32	2"	65,0	48	77,77	100	42,88	99	37,5	50	14,0	63	M12x70	----	4225

6000 psi

414	BB06-12	3/4"	28,0	19	50,80	71	23,80	70	22,0	19	11	40	M10x35	3/8x1"1/2	4100
	BB06-16	1"	34,0	25	57,15	81	27,76	82	27,0	24	13	47	M12x45	7/16x1"3/4	4131
375	BB06-20	1"1/4	42,0	32	66,68	95	31,75	95	32,0	27	15	56	M14x45	1/2x1"3/4	4150
320	BB06-24	1"1/2	48,0	38	79,38	113	36,50	115	40,0	30	17	68	M16x55	5/8x2"	4187

Come Ordinare / How to Order:

Solo Flangia / Only Flange

Flangia completa di viti UNC, rondelle e o-ring

Complete flange with UNC screws, washers and o'ring

Flangia completa di viti metriche, rondelle e o-ring

Complete flange with metric screws, washers and o'ring

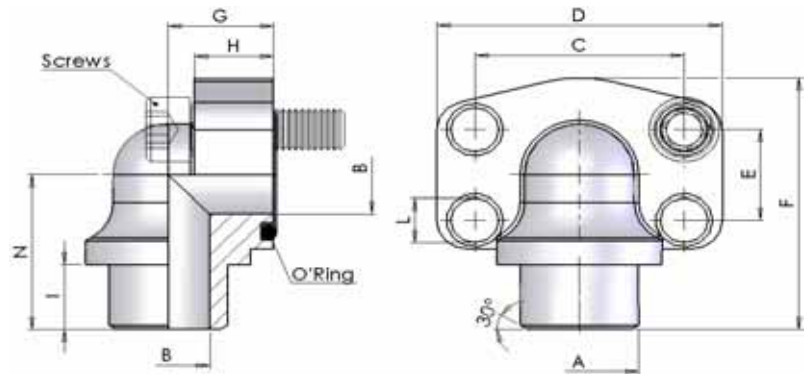
BB0...12

BB0....12U

BB0....12M

NB03 Flange a 90° a saldare di testa
NB06

Weld On 90° Flanges



max pressure bar	part number	SAE size	Dimensions											Viti Screws		O' R type
			A	B	C	D	E	F	G	H	I	L	N	Metric	Unc	

3000 psi

345	NB03-08	1/2"	21,5	13	38,10	54	17,48	60	20,0	16	16,0	9	37	M8x30	5/16x1"1/4	4075
	NB03-0806	1/2"	17,5	13	38,10	54	17,48	60	20,0	16	16,0	9	37	M8x30	5/16x1"1/4	4075
	NB03-12	3/4"	27,0	19	47,63	65	22,23	63	24,0	18	16,0	11	38	M10x35	3/8x1"1/2	4100
	NB03-16	1"	34,5	25	52,37	70	26,19	70	28,0	19	19,0	11	43	M10x35	3/8x1"1/2	4131
276	NB03-20	1"1/4	42,8	32	58,72	79	30,18	85	34,0	21	21,0	12	51	M10x40	7/16x1"3/4	4150
207	NB03-24	1"1/2	48,6	38	69,85	93	35,71	95	38,0	25	21,0	14	56	M12x45	1/2x1"3/4	4187
	NB03-32	2"	61,0	51	77,77	110	42,88	110	42,0	25	15,0	14	65	M12x45	1/2x1"3/4	4225

6000 psi

414	NB06-0808	1/2"	21,5	13	40,49	54	18,24	60	20,0	16	16,0	9	37	M8x30	5/16x1"1/4	4075
	NB06-0806	1/2"	17,5	13	40,49	54	18,24	60	20,0	16	16,0	9	37	M8x30	5/16x1"1/4	4075
	NB06-12	3/4"	28,0	19	50,80	70	23,80	70	28,0	19	17,0	11	43	M10x40	3/8x1"1/2	4100
	NB06-16	1"	34,0	25	57,15	79	27,76	85	34,0	21	19,0	13	51	M12x45	7/16x1"3/4	4131
	NB06-20	1"1/4	42,8	32	66,68	93	31,75	95	38,0	25	19,0	15	56	M14x45	1/2x1"3/4	4150
	NB06-24	1"1/2	48,6	38	79,38	110	36,50	110	42,0	25	24,0	17	65	M16x50	5/8x2"	4187
	NB06-32	2"	61,0	51	96,82	134	44,45	132	45,0	35	18,0	21	75	M20x70	3/4x2"1/2	4225
	NB06-3260	2"	61,0	40	96,82	134	44,45	132	45,0	35	18,0	21	75	M20x70	3/4x2"1/2	4225
NB06-3276	2"	76,0	50	96,82	134	44,45	132	45,0	35	18,0	21	75	M20x70	3/4x2"1/2	4225	

Come Ordinare / How to Order:

Solo Flangia / Only Flange

NB0...08

Flangia completa di viti UNC, rondelle e o-ring

Complete flange with UNC screws, washers and o'ring

NB0...08U

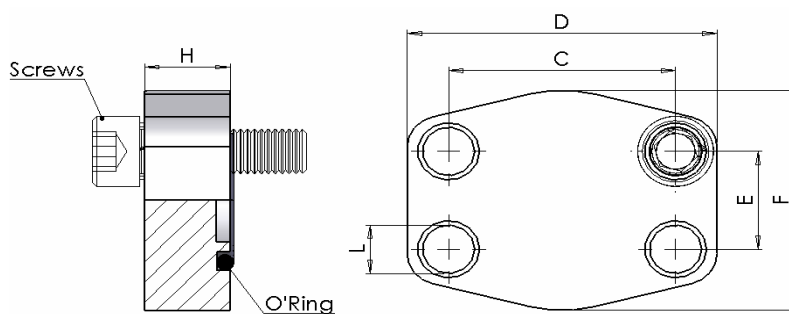
Flangia completa di viti metriche, rondelle e o-ring

Complete flange with metric screws, washers and o'ring

NB0...08M

FC03 Flange cieche

FC06 Blind Flanges



max pressure bar	part number	SAE size	Dimensions						Viti Screws		O' R type
			C	D	E	F	H	L	Metric	Unc	

3000 psi

345	FC03-08	1/2"	38,10	56	17,48	46	16	9,0	M8x30	5/16x1"1/4	4075
	FC03-12	3/4"	47,63	65	22,23	50	18	11,0	M10x35	3/8x1"1/2	4100
	FC03-16	1"	52,37	70	26,19	60	19	11,0	M10x35	3/8x1"1/2	4131
276	FC03-20	1"1/4	58,72	79	30,18	68	18	11,5	M10x40	7/16x1"3/4	4150
207	FC03-24	1"1/2	69,85	93	35,71	78	20	13,5	M12x45	1/2x1"3/4	4187
	FC03-32	2"	77,77	102	42,88	90	20	13,5	M12x45	1/2x1"3/4	4225
172	FC03-40	2"1/2	88,90	114	50,80	105	20	13,5	M12x45	1/2x1"3/4	4275
138	FC03-48	3"	106,38	134	61,93	124	24	17,5	M16x50	5/8x2"	4337
34	FC03-56	3"1/2	120,65	152	69,85	136	22	17,5	M16x50	5/8x2"	4387
	FC03-64	4"	130,18	162	77,77	146	25	17,5	M16x50	5/8x2"	4437

6000 psi

414	FC06-08	1/2"	40,49	56	18,24	48	16	9	M8x30	5/16x1"1/4	4075
	FC06-12	3/4"	50,80	71	23,80	60	19	11	M10x35	3/8x1"1/2	4100
	FC06-16	1"	57,15	81	27,76	70	24	13	M12x45	7/16x1"3/4	4131
	FC06-20	1"1/4	66,68	95	31,75	78	27	15	M14x45	1/2x1"3/4	4150
	FC06-24	1"1/2	79,38	112	36,50	94	30	17	M16x50	5/8x2"	4187
	FC06-32	2"	96,82	134	44,45	114	30	21	M20x60	3/4x2"1/2	4225
	FC06-40	2"1/2	123,80	180	58,70	152	45	26	M24x80	-	4275
	FC06-48	3"	152,40	208	71,40	178	55	33	M30x100	-	4337

Come Ordinare / How to Order:

Solo Flangia / Only Flange

FC0...08

Flangia completa di viti UNC, rondelle e o-ring

Complete flange with UNC screws, washers and o'ring

FC0...08U

Flangia completa di viti metriche, rondelle e o-ring

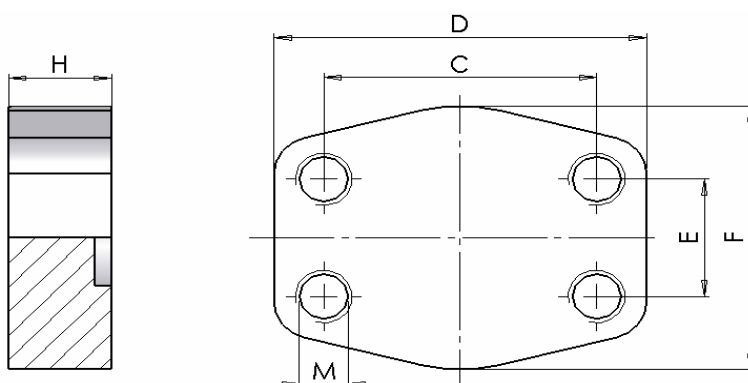
Complete flange with metric screws, washers and o'ring

FC0...08M

CC03 CC06

Controflange cieche

Blind Counter-Flanges



max pressure bar	part number	SAE size	Dimensions					Metric M	Unc M
			C	D	E	F	H		

3000 psi

345	CC03-08	1/2"	38,10	56	17,48	46	16	M8x30	5/16
	CC03-12	3/4"	47,63	65	22,23	50	18	M10x35	3/8
	CC03-16	1"	52,37	70	26,19	60	19	M10x35	3/8
276	CC03-20	1 1/4"	58,72	79	30,18	68	18	M10x40	7/16
207	CC03-24	1 1/2"	69,85	93	35,71	78	20	M12x45	1/2
	CC03-32	2"	77,77	102	42,88	90	20	M12x45	1/2
172	CC03-40	2 1/2"	88,90	114	50,80	105	20	M12x45	1/2
138	CC03-48	3"	106,38	134	61,93	124	24	M16x50	5/8
34	CC03-56	3 1/2"	120,65	152	69,85	136	22	M16x50	5/8
	CC03-64	4"	130,18	162	77,77	146	25	M16x50	5/8

6000 psi

414	CC06-08	1/2"	40,49	56	18,24	48	16	M8x30	5/16
	CC06-12	3/4"	50,80	71	23,80	60	19	M10x35	3/8
	CC06-16	1"	57,15	81	27,76	70	24	M12x45	7/16
	CC06-20	1 1/4"	66,68	95	31,75	78	27	M14x45	1/2
	CC06-24	1 1/2"	79,38	112	36,50	94	30	M16x50	5/8
	CC06-32	2"	96,82	134	44,45	114	30	M20x60	3/4
	CC06-40	2 1/2"	123,80	180	58,70	152	45	M24x100	----
	CC06-48	3"	152,40	208	71,40	178	55	M30x100	----

Come Ordinare / How to Order:

Controflangia con fori di fissaggio metrici
Counter flange with metric tapholes

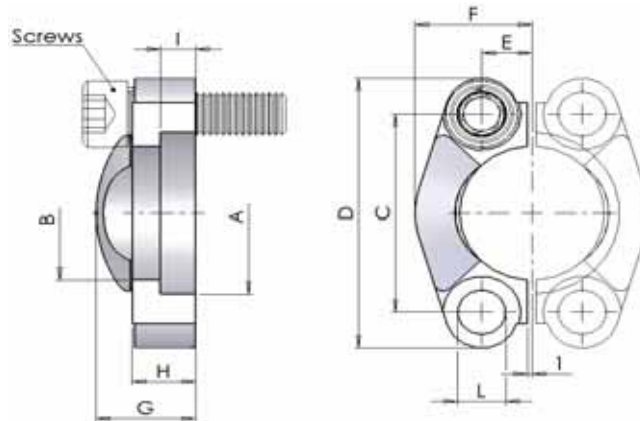
CC0...08

Controflangia con fori di fissaggio UNC
Counter flange with UNC tapholes

CC0...08U

S003 Semiflange tagliate

S006 Cut Split Flanges



max pressure bar	part number	SAE size	Dimensions											Viti Screws	
			A	B	C	D	E	F	G	H	I	L	Metric	Unc	

3000 psi

345	S003-08	1/2"	30,96	24,26	38,10	54	8,74	22,8	19	13	6,22	8,75	M8x30	5/16x1"1/4
	S003-12	3/4"	38,89	32,13	47,63	65	11,13	25,9	22	14	6,22	10,75	M10x35	3/8x1"1/2
	S003-16	1"	45,24	38,48	52,37	70	13,08	29,2	24	16	7,49	10,75	M10x35	3/8x1"1/2
276	S003-20	1"1/4	51,59	43,69	58,72	79	15,09	36,3	22	14	7,49	12,00	M10x35	----
207	S003-24	1"1/2	61,09	50,80	69,85	94	17,86	41,1	25	16	7,49	13,50	M12x35	----
	S003-32	2"	72,24	62,74	77,77	102	21,44	48,2	26	16	9,02	13,50	M12x35	----
172	S003-40	2"1/2	84,94	74,93	88,90	114	25,40	54,1	38	19	9,02	13,50	M12x40	1/2x1"3/4
138	S003-48	3"	102,39	90,93	106,38	135	30,96	65,3	41	22	9,02	17,00	M16x50	5/8x2"
34	S003-56	3"1/2	115,1	102,36	120,65	152	34,92	69,5	28	22	10,72	17,00	M16x50	5/8x2"
	S003-64	4"	127,79	115,06	130,18	162	38,88	76,0	35	25	10,72	17,00	M16x50	5/8x2"

6000 psi

414	S006-08	1/2"	32,54	24,64	40,49	56	9,12	23,6	22	16	7,24	8,75	M8x30	5/16x1"1/4
	S006-12	3/4"	42,06	32,51	50,80	71	11,91	30,0	28	19	8,26	11,00	M10x35	3/8x1"1/2
	S006-16	1"	48,41	38,86	57,15	81	13,89	34,8	33	24	9,02	13,00	M12x45	----
	S006-20	1"1/4	54,76	44,45	66,68	95	15,88	38,6	38	27	9,78	15,00	----	----
	S006-24	1"1/2	64,29	51,56	79,38	113	18,26	47,5	43	30	12,07	17,00	M16x50	5/8x2"
	S006-32	2"	80,16	67,56	96,82	133	22,23	56,9	52	37	12,07	21,00	M20x70	3/4x2"1/2

Come Ordinare / How to Order:

Solo Flangia / Only Flange

Flangia completa di viti UNC, rondelle e o-ring

Complete flange with UNC screws, washers and o-ring

Flangia completa di viti metriche, rondelle e o-ring

Complete flange with metric screws, washers and o-ring

S00...08

S00...08U

S00...08M

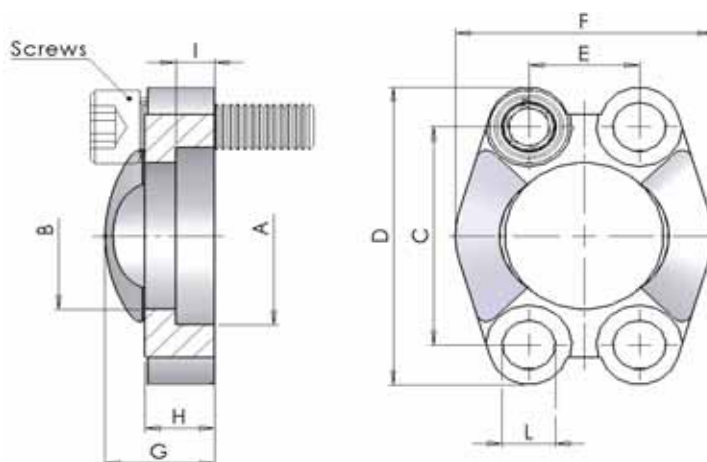
Note / Notes:

Questo prodotto e' venduto a coppie

This product is sold by pairs

SI03
SI06 **Semiflange intere**

Uncut Split Flanges



max pressure bar	part number	SAE size	Dimensions										Viti Screws	
			A	B	C	D	E	F	G	H	I	L	Metric	Unc

3000 psi

345	SI03-08	1/2"	30,96	24,26	38,10	54	17,48	45,6	19	13	6,22	8,75	M8x30	5/16x1"1/4
	SI03-12	3/4"	38,89	32,13	47,63	65	22,23	51,8	22	14	6,22	10,75	M10x35	3/8x1"1/2
	SI03-16	1"	45,24	38,48	52,37	70	26,19	58,4	24	16	7,49	10,75	M10x35	3/8x1"1/2
276	SI03-20	1"1/4	51,59	43,69	58,72	79	30,18	72,6	22	14	7,49	12,00	M10x35	----
207	SI03-24	1"1/2	61,09	50,80	69,85	94	35,71	82,2	25	16	7,49	13,50	M12x35	----
	SI03-32	2"	72,24	62,74	77,77	102	42,88	96,4	26	16	9,02	13,50	M12x35	----
172	SI03-40	2"1/2	84,94	74,93	88,90	114	50,80	108,2	38	19	9,02	13,50	M12x40	1/2x1"3/4
138	SI03-48	3"	102,39	90,93	106,38	135	61,93	130,6	41	22	9,02	16,75	M16x50	5/8x2"
34	SI03-56	3"1/2	115,1	102,36	120,65	152	69,85	139,0	28	22	10,72	17,00	M16x50	5/8x2"
	SI03-64	4"	127,79	115,06	130,18	162	77,77	152,0	35	25	10,72	17,00	M16x50	5/8x2"

6000 psi

414	SI06-08	1/2"	32,54	24,64	40,49	56	18,24	47,2	22	16	7,24	8,75	M8x30	5/16x1"1/4
	SI06-12	3/4"	42,06	32,51	50,80	71	23,80	60,0	28	19	8,26	11,00	M10x35	3/8x1"1/2
	SI06-16	1"	48,41	38,86	57,15	81	27,76	69,6	33	24	9,02	13,00	M12x45	----
	SI06-20	1"1/4	54,76	44,45	66,68	95	31,75	77,2	38	27	9,78	15,00	M14x45	----
	SI06-24	1"1/2	64,29	51,56	79,38	113	36,50	95,0	43	30	12,07	17,00	M16x50	5/8x2"
	SI06-32	2"	80,16	67,56	96,82	133	44,45	113,8	52	37	12,07	21,00	M20x70	3/4x2"1/2

Come Ordinare / How to Order:

Solo Flangia / Only Flange

SI0...08

Flangia completa di viti UNC, rondelle e o-ring

Complete flange with UNC screws, washers and o'ring

SI0....08U

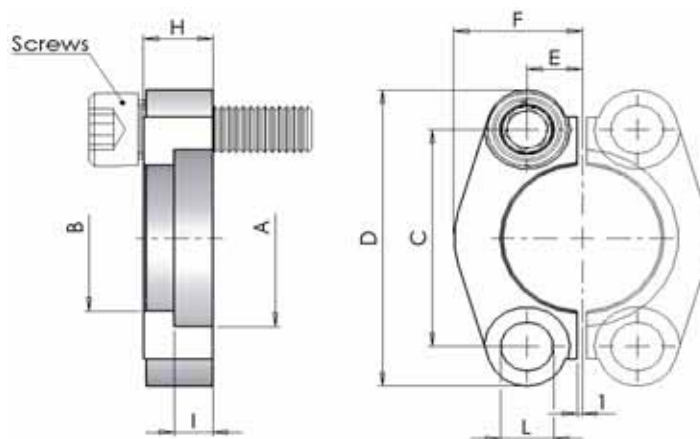
Flangia completa di viti metriche, rondelle e o-ring

Complete flange with metric screws, washers and o'ring

SI0....08M

S0P3
Semiflange piatte tagliate
S0P6

Cut Flat Split Flanges



max pressure bar	part number	SAE size	Dimensions									Viti Screws	
			A	B	C	D	E	F	H	I	L	Metric	Unc

3000 psi

345	S0P3-08	1/2"	30,96	24,26	38,10	54	8,74	22,8	13	6,22	8,75	M8x30	5/16x1"1/4
	S0P3-12	3/4"	38,89	32,13	47,63	65	11,13	25,9	14	6,22	10,75	M10x35	3/8x1"1/2
	S0P3-16	1"	45,24	38,48	52,37	70	13,08	29,2	16	7,49	10,75	M10x35	3/8x1"1/2
276	S0P3-20	1"1/4	51,59	43,69	58,72	79	15,09	36,3	16	7,49	12,00	M10x35	----
207	S0P3-24	1"1/2	61,09	50,80	69,85	94	17,86	41,1	16	7,49	13,50	M12x35	----
	S0P3-32	2"	72,24	62,74	77,77	102	21,44	48,2	16	9,02	13,50	M12x35	----

6000 psi

414	S0P6-08	1/2"	32,54	24,64	40,49	56	9,12	23,6	16	7,24	8,75	M8x30	5/16x1"1/4
	S0P6-12	3/4"	42,06	32,51	50,80	71	11,91	30,0	19	8,26	11,00	M10x35	3/8x1"1/2
	S0P6-16	1"	48,41	38,86	57,15	81	13,89	34,8	24	9,02	13,00	M12x45	----
	S0P6-20	1"1/4	54,76	44,45	66,68	95	15,88	38,6	27	9,78	15,00	M14x45	----
	S0P6-24	1"1/2	64,29	51,56	79,38	113	18,26	47,5	30	12,07	17,00	M16x50	5/8x2"
	S0P6-32	2"	80,16	67,56	96,82	133	22,23	56,9	37	12,07	21,00	M20x70	3/4x2"1/2

Come Ordinare / How to Order:

Solo Flangia / Only Flange

S0P...08

Flangia completa di viti UNC, rondelle e o-ring

Complete flange with UNC screws, washers and o'ring

S0P...08U

Flangia completa di viti metriche, rondelle e o-ring

Complete flange with metric screws, washers and o'ring

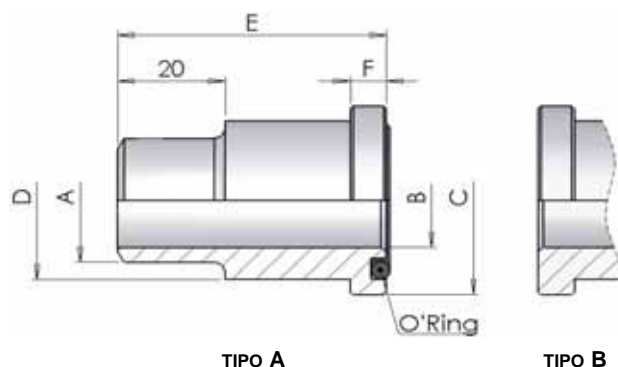
S0P...08M
Note / Notes:

Questo prodotto e' venduto a coppie

This product is sold by pairs

EBM3 Codoli a saldare di testa per
EBM6 tubo metrico

Weld On Adapters for Metric Tube



max pressure bar	part number	SAE size	Dimensions						O' R
			A	B	C	D	E	F	type

3000 psi

345	EBM3-08	1/2"	16,0	12	30,2	24,0	41	6,73	4075
	EBM3-12	3/4"	25,0	19	38,1	32,0	50	6,73	4100
	EBM3-16	1"	30,0	22	44,4	38,0	50	8,00	4131
276	EBM3-20	1"1/4	38,0	28	50,8	43,0	55	8,00	4150
207	EBM3-24	1"1/2	45,0	35	60,3	50,0	57	8,00	4187
	EBM3-32	2"	60,0	50	71,4	62,0	57	9,53	4225
172	EBM3-40	2"1/2	70,0	55	84,1	74,0	58	9,53	4275
138	EBM3-48	3"	80,0	68	101,6	90,0	60	9,53	4337
34	EBM3-56	3"1/2	100,0	89	114,3	102,0	80	11,20	4387
	EBM3-64	4"	114,3	99	127,0	114,3	80	11,20	4437

6000 psi

414	EBM6-08	1/2"	16,0	12	31,8	24,0	34	7,75	4075
	EBM6-12	3/4"	25,0	18	41,3	32,0	38	8,76	4100
	EBM6-16	1"	30,0	22	47,6	38,0	40	9,53	4131
	EBM6-20	1"1/4	38,0	27	54,0	44,0	45	10,29	4150
	EBM6-24	1"1/2	45,0	32	63,5	51,0	50	12,57	4187
	EBM6-32	2"	60,0	45	79,4	67,0	58	12,57	4225

Come Ordinare / How to Order:

Codolo con sede o-ring (Tipo A)
 Adapter with o-ring groove (Type A)

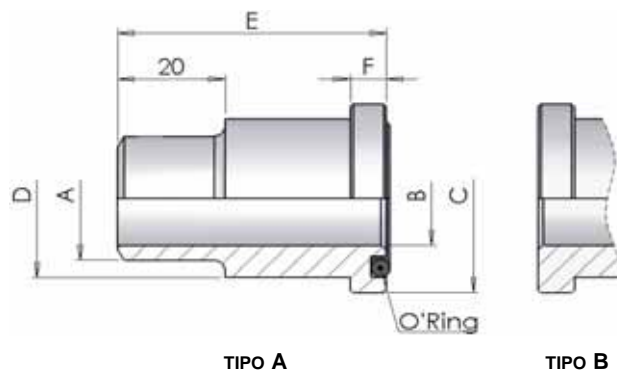
EBM...08

Codolo senza sede o-ring (Tipo B)
 Adapter without o-ring groove (Type B)

EBM...08B

EB03 **Codoli a saldare di testa**
EB06

Weld On Adapters



max pressure bar	part number	SAE size	Dimensions						O' R
			A	B	C	D	E	F	type

3000 psi

345	EB03-08	1/2"	21,5	13	30,2	24	41	6,73	4075
	EB03-12	3/4"	28,0	19	38,1	32	50	6,73	4100
	EB03-16	1"	34,0	25	44,4	38	50	8,00	4131
276	EB03-20	1"1/4	42,8	32	50,8	43	55	8,00	4150
207	EB03-24	1"1/2	48,6	38	60,3	50	57	8,00	4187
	EB03-32	2"	61,0	51	71,4	62	57	9,53	4225

6000 psi

414	EB06-08	1/2"	21,5	13	31,8	24	34	7,75	4075
	EB06-12	3/4"	28,0	19	41,3	32	38	8,76	4100
	EB06-16	1"	34,0	25	47,6	38	40	9,53	4131
	EB06-20	1"1/4	42,8	32	54,0	44	45	10,29	4150
	EB06-24	1"1/2	48,6	38	63,5	51	50	12,57	4187
	EB06-32	2"	61,0	51	79,4	67	58	12,57	4225

Come Ordinare / How to Order:

 Codolo con sede o-ring (Tipo A)
 Adapter with o-ring groove (Type A)

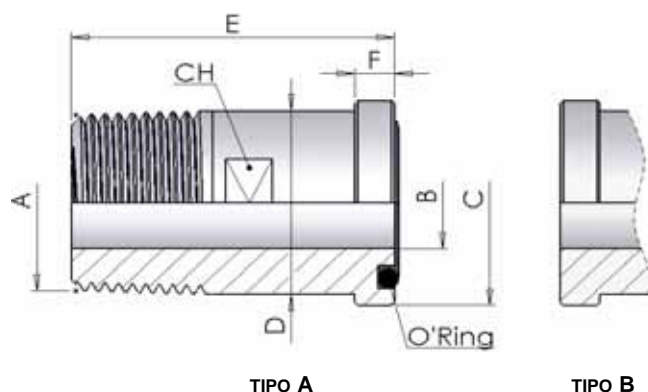
EB0...08

 Codolo senza sede o-ring (Tipo B)
 Adapter without o-ring groove (Type B)

EB0...08B

E0K3
E0K6
Codoli Filettati BSPT

BSP Tapered Threaded Adapters



max pressure bar	part number	SAE size	Dimensions							O' R type
			A	B	C	D	E	F	CH	

3000 psi

345	E0K3-08	1/2"	1/2" - BSPT	12	30,2	24	50	6,73	19	4075
	E0K3-12	3/4"	3/4" - BSPT	17	38,1	32	55	6,73	27	4100
	E0K3-16	1"	1" - BSPT	22	44,4	38	60	8,00	32	4131
276	E0K3-20	1 1/4"	1 1/4" - BSPT	27	50,8	43	65	8,00	41	4150
207	E0K3-24	1 1/2"	1 1/2" - BSPT	32	60,3	50	70	8,00	46	4187
	E0K3-32	2"	2" - BSPT	40	71,4	62	75	9,53	55	4225

6000 psi

414	E0K6-08	1/2"	1/2" - BSPT	12	31,8	24	50	7,75	19	4075
	E0K6-12	3/4"	3/4" - BSPT	17	41,3	32	60	8,76	26	4100
	E0K6-16	1"	1" - BSPT	22	47,6	38	70	9,53	32	4131
	E0K6-20	1 1/4"	1 1/4" - BSPT	27	54,0	44	75	10,29	36	4150
	E0K6-24	1 1/2"	1 1/2" - BSPT	32	63,5	51	80	12,57	41	4187
	E0K6-32	2"	2" - BSPT	40	79,4	67	90	12,57	55	4225

Come Ordinare / How to Order:

 Codolo con sede o-ring (Tipo A)
 Adapter with o-ring groove (Type A)

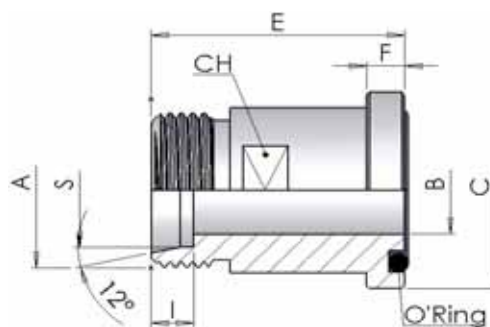
E0K...08

 Codolo senza sede o-ring (Tipo B)
 Adapter without o-ring groove (Type B)

E0K...08B

E0D3 Codoli Filettati Metrici attacco
E0D6 DIN 3901-3902

DIN 3901-3902 Metric Threaded Adapters



max pressure bar	part number	SAE size	Dimensions									O' R type
			A	type	B	C	E	F	I	S	CH	

3000 psi

315	E0D3-0815	1/2"	M22x1,5	L	12	30,2	48	6,73	7,0	15	24	4075
350	E0D3-0816	1/2"	M24x1,5	S	12	30,2	50	6,73	8,5	16	24	4075
315	E0D3-1218	3/4"	M26x1,5	L	15	38,1	53	6,73	7,5	18	30	4100
160	E0D3-1222	3/4"	M30x2	L	19	38,1	53	6,73	7,5	22	30	4100
350	E0D3-1220	3/4"	M30x2	S	16	38,1	57	6,73	10,5	20	30	4100
	E0D3-1225	3/4"	M36x2	S	17	38,1	57	6,73	12,0	25	30	4100
160	E0D3-1622	1"	M30x2	L	19	44,4	56	8,00	7,5	22	27	4131
	E0D3-1628	1"	M36x2	L	24	44,4	54	8,00	7,5	28	36	4131
350	E0D3-1625	1"	M36x2	S	20	44,4	58	8,00	12,0	25	36	4131
	E0D3-1630	1"	M42x2	S	24	44,4	63	8,00	13,5	30	36	4131
160	E0D3-2028	1"1/4	M36x2	L	22	50,8	58	8,00	7,5	28	36	4150
	E0D3-2035	1"1/4	M45x2	L	30	50,8	58	8,00	10,5	35	41	4150
280	E0D3-2025	1"1/4	M36x2	S	20	50,8	60	8,00	12,0	25	41	4150
	E0D3-2030	1"1/4	M42x2	S	25	50,8	62	8,00	13,5	30	41	4150
160	E0D3-238	1"1/4	M52x2	S	28	50,8	66	8,00	16,0	38	41	4150
	E0D3-2442	1"1/2	M52x2	L	36	60,3	64	8,00	11,0	42	46	4187
210	E0D3-2438	1"1/2	M52x2	S	32	60,3	70	8,00	16,0	38	46	4187

6000 psi

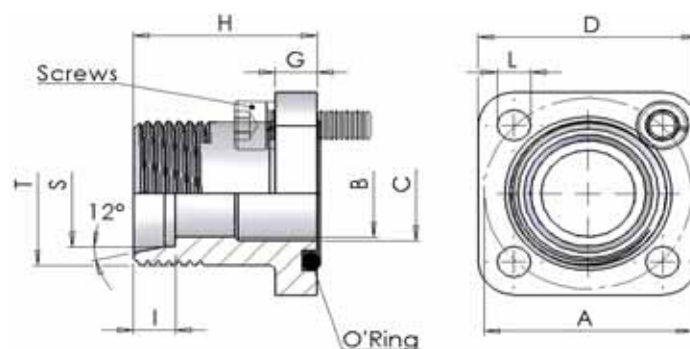
400	E0D6-0816	1/2"	M24x1,5	S	12	31,8	53	7,75	8,5	16	24	4075
	E0D6-1216	3/4"	M24x1,5	S	12	41,3	59	8,76	8,5	16	30	4100
	E0D6-1220	3/4"	M30x2	S	16	41,3	61	8,76	10,5	20	30	4100
	E0D6-1225	3/4"	M36x2	S	17	41,3	63	8,76	12,0	25	30	4100
	E0D6-1230	3/4"	M42x2	S	18	41,3	64	8,76	13,5	30	36	4100
	E0D6-1625	1"	M36x2	S	20	47,6	72	9,53	12,0	25	36	4131
	E0D6-1630	1"	M42x2	S	24	47,6	74	9,53	13,5	30	36	4131
	E0D6-2030	1"1/4	M42x2	S	25	54,0	79	10,29	13,5	30	41	4150
	E0D6-2038	1"1/4	M52x2	S	30	54,0	83	10,29	16,0	38	46	4150
	E0D6-2438	1"1/2	M52x2	S	30	63,5	89	12,57	16,0	38	46	4187

Come Ordinare / How to Order:
 Solo Flangia / Only Flange

E0D...18

MDD0 Raccordi Diritti Filettati Metrici DIN 2353

DIN 2353 Metric Threaded Straight
Connectors



max pressure bar	part number	Dimensions									Viti Screws	O' R
		A	B	C	D	S	T	G	H	L	Metric	type
315	MDD0-3510	35	8	12	39	10	M16x1,5	8	30	6,4	M6x20	3075
	MDD0-3512	35	10	12	39	12	M18x1.5	8	30	6,4	M6x20	3075
250	MDD0-3515	35	12	12	39	15	M22x1.5	8	30	6,4	M6x20	3075
	MDD0-3516	35	12	12	39	16	M24x1.5	8	30	6,4	M6x20	3075
	MDD0-3518	35	12	12	39	18	M26x1.5	8	30	6,4	M6x20	3075
100	MDD0-4015	40	12	19	42	15	M22x1.5	8	35	6,4	M6x20	132
	MDD0-4018	40	15	19	42	18	M26x1.5	8	35	6,4	M6x20	132
	MDD0-4022	40	19	19	42	22	M30x2	8	35	6,4	M6x20	132
	MDD0-4028	40	20	20	42	28	M36x2	8	42	6,4	M6x20	132

Come Ordinare / How to Order:

Solo Flangia / Only Flange

Flangia completa di viti metriche, rondelle e o-ring

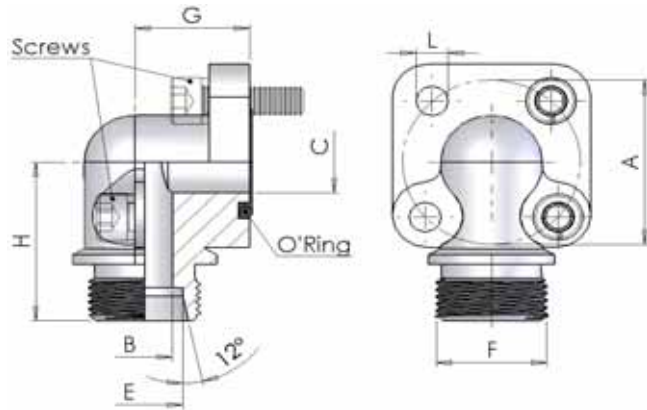
Complete flange with metric screws, washers and o'ring

MDD...10

MDD....10M

G4D0 Raccordi a 4 Fori a 90° Filettati Metrici DIN 2353

DIN 2353 Metric Threaded 90° Connectors with 4 Fixing Holes



max pressure bar	part number	Dimensions								Viti Screws		O' R type
		A	B	C	E	F	G	H	L	Metric		
300	G4D0-3510	35	8	13	10	M16x1,5	18	41,5	6,4	N.2 M6x35 N.2 M6x20	3075	
300	G4D0-3512	35	10	13	12	M18x1.5	18	41,5	6,4	N.2 M6x35 N.2 M6x20	3075	
250	G4D0-3515	35	12	13	15	M22x1.5	18	41,5	6,4	N.2 M6x35 N.2 M6x20	3075	
250	G4D0-3516	35	12	13	16	M24x1.5	18	41,5	6,4	N.2 M6x35 N.2 M6x20	3075	
250	G4D0-3518	35	12	13	18	M26x1.5	18	41,5	6,4	N.2 M6x35 N.2 M6x20	3075	
100	G4D0-4015	40	12	19	15	M22x1.5	24	41,5	6,4	N.2 M6x45 N.2 M6x20	132	
100	G4D0-4018	40	15	19	18	M26x1.5	24	41,5	6,4	N.2 M6x45 N.2 M6x20	132	
100	G4D0-4022	40	17	19	22	M30x2	24	41,5	6,4	N.2 M6x45 N.2 M6x20	132	

Come Ordinare / How to Order:

Solo Flangia / Only Flange

Flangia completa di viti metriche, rondelle e o-ring

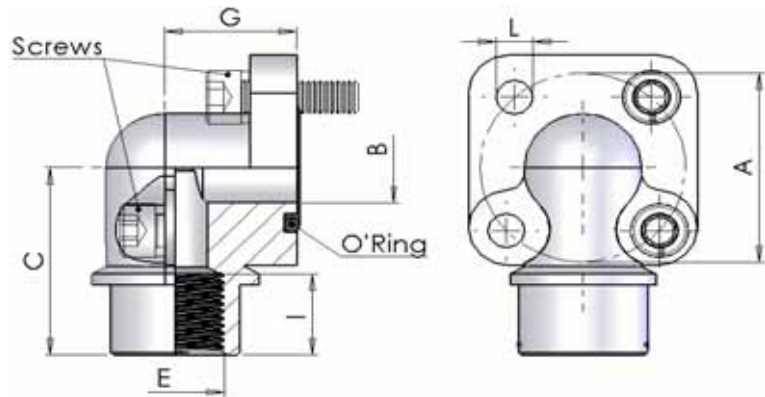
Complete flange with metric screws, washers and o'ring

G4D0...10

G4D0....10M

G4G0 Raccordi a 4 Fori a 90° Filettati BSP

BSP Threaded 90° Connectors with 4 Fixing Holes



max pressure bar	part number	Dimensions							Viti Screws		O' R type
		A	B	C	D	E	G	L	Metric		
300	G4G0-3506	35	13	41,5	16	3/8"GAS	18	6,4	N.2 M6x35 N.2 M6x20	3075	
300	G4G0-3508	35	13	41,5	19	1/2"GAS	18	6,4	N.2 M6x35 N.2 M6x20	3075	
300	G4G0-4008	40	19	41,5	19	1/2"GAS	24	6,4	N.2 M6x45 N.2 M6x20	132	
300	G4G0-4012	40	19	41,5	19	3/4"GAS	24	6,4	N.2 M6x45 N.2 M6x20	132	

Come Ordinare / How to Order:

Solo Flangia / Only Flange

Flangia completa di viti metriche, rondelle e o-ring

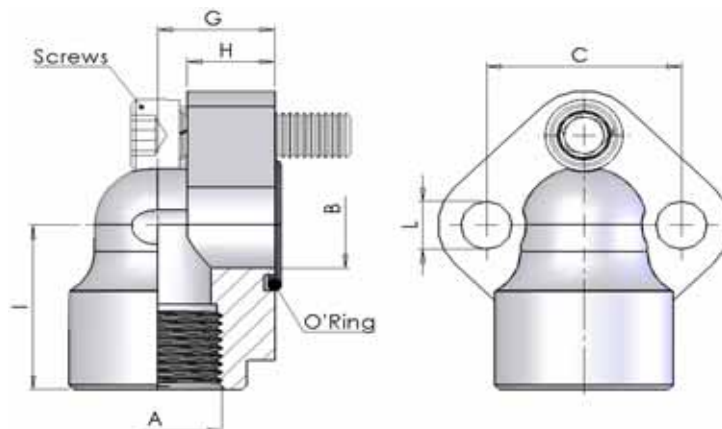
Complete flange with metric screws, washers and o'ring

G4G0...12

G4G0....12M

G3G0 Raccordi Pompa 3 Fori

Pump Elbows With Three Fixing Holes



max pressure bar	part number	Gruppo Pompa	Dimensions							Viti Screws		O' R type
			A	B	C	G	H	I	L	Metric		
300	G3G0-2606	0,5	3/8" GAS	11	26	17	8	24	5,3	M5x20	2056	
300	G3G0-2608	0,5	1/2" GAS	11	26	17	8	24	5,3	M5x20	2056	
300	G3G0-3006	1,0	3/8" GAS	12	30	17	8	24	6,4	M6x20	121	
300	G3G0-3008	1,0	1/2" GAS	12	30	17	8	26	6,4	M6x20	121	
300	G3G0-4008	2,0	1/2" GAS	19	40	21	10	30	8,5	M8x25A	132	
300	G3G0-4012	2,0	3/4" GAS	19	40	21	10	30	8,5	M8x25A	132	
300	G3G0-5112	3,0	3/4" GAS	26	51	26	13	45	10,5	M10x30A	3125	
300	G3G0-5116	3,0	1" GAS	26	51	26	13	45	10,5	M10x30A	3125	
300	G3G0-5612	3,0	3/4" GAS	26	56	26	13	45	10,5	M10x30A	3125	
300	G3G0-5613	3,0	1" GAS	26	56	26	13	45	10,5	M10x30A	3125	

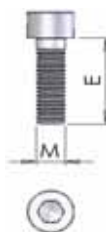
Come Ordinare / How to Order:

Solo Flangia / Only Flange

Flangia completa di viti metriche, rondelle e o-ring
Complete flange with metric screws, washers and o'ring

G3G0...08

G3G0....08M

SCM3
SCM6
Kit per flange SAE - (Metric)*
*Kit for SAE flange - (Metric)**


part number	SAE	O' R			Viti	Rondelle
	size	code	d1	d2	Screws	Washers
					code	code

3000 psi

SCM3-08	1/2"	8-4075	18,64	3,53	VSEIM-08x30	RVSM-08
SCM3-12	3/4"	8-4100	24,99	3,53	VSEIM-10x35	RVSM-10
SCM3-16	1"	8-4131	32,92	3,53	VSEIM-10x40	RVSM-10
SCM3-20	1"1/4	8-37.69X3.53	37,69	3,53	VSEIM-10x40	RVSM-10
SCM3-24	1"1/2	8-4187	47,22	3,53	VSEIM-12x45	RVSM-12
SCM3-32	2"	8-4225	56,74	3,53	VSEIM-12x45	RVSM-12
SCM3-40	2"1/2	8-4275	69,44	3,53	VSEIM-12x45	RVSM-12
SCM3-48	3"	8-4337	85,32	3,53	VSEIM-16x50	RVSM-16
SCM3-56	3"1/2	8-4387	98,02	3,53	VSEIM-16x50	RVSM-16
SCM3-64	4"	8-4437	110,72	3,53	VSEIM-16x50	RVSM-16

6000 psi

SCM6-08	1/2"	8-4075	18,64	3,53	VSEIM-08x30	RVSM-08
SCM6-12	3/4"	8-4100	24,99	3,53	VSEIM-10x40	RVSM-10
SCM6-16	1"	8-4131	32,92	3,53	VSEIM-12x45	RVSM-12
SCM6-20	1"1/4	8-37.69X3.53	37,69	3,53	VSEIM-14x45	RVSM-14
SCM6-24	1"1/2	8-4187	47,22	3,53	VSEIM-16x50	RVSM-16
SCM6-32	2"	8-4225	56,74	3,53	VSEIM-20x70	RVSM-20
SCM6-40	2"1/2	8-4275	69,44	3,53	VSEIM-24x80	RVSM-24
SCM6-48	3"	8-4337	85,32	3,53	VSEIM-30x100	RVSM-30

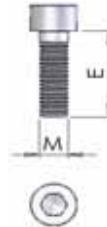
* - Il Kit per flange SAE (metrico), è composto da n.4 viti metriche, n. 4 rondelle e da 1 o-ring.

* - The Kit for SAE flange (metric), is composed by n.4 metric screws, n. 4 washers and n.1 o-ring.

SCU3
SCU6

Kit per flange SAE - (UNC)*

*Kit for SAE flange - (UNC)**



part number	SAE	O' R			Viti	Rondelle
	size	code	d1	d2	Screws	Washers
					code	code

3000 psi

SCU3-08	1/2"	8-4075	18,64	3,53	VSEIU-5/16x1-1/4	RVSU-5/16
SCU3-12	3/4"	8-4100	24,99	3,53	VSEIU-3/8x1-1/2	RVSU-3/8
SCU3-16	1"	8-4131	32,92	3,53	VSEIU-3/8x1-1/2	RVSU-3/8
SCU3-20	1"1/4	8-37.69X3.53	37,69	3,53	VSEIU-7/16x1-3/4	RVSU-7/16
SCU3-24	1"1/2	8-4187	47,22	3,53	VSEIU-1/2x1-3/4	RVSU-1/2
SCU3-32	2"	8-4225	56,74	3,53	VSEIU-1/2x1-3/4	RVSU-1/2
SCU3-40	2"1/2	8-4275	69,44	3,53	VSEIU-1/2x1-3/4	RVSU-1/2
SCU3-48	3"	8-4337	85,32	3,53	VSEIU-5/8x2	RVSU-5/8
SCU3-56	3"1/2	8-4387	98,02	3,53	VSEIU-5/8x2	RVSU-5/8
SCU3-64	4"	8-4437	110,72	3,53	VSEIU-5/8x2	RVSU-5/8

6000 psi

SCU6-08	1/2"	8-4075	18,64	3,53	VSEIU-5/16x1-1/4	RVSU-5/16
SCU6-12	3/4"	8-4100	24,99	3,53	VSEIU-3/8x1-1/2	RVSU-3/8
SCU6-16	1"	8-4131	32,92	3,53	VSEIU-7/16x1-3/4	RVSU-7/16
SCU6-20	1"1/4	8-37.69X3.53	37,69	3,53	VSEIU-1/2x1-3/4	RVSU-1/2
SCU6-24	1"1/2	8-4187	47,22	3,53	VSEIU-5/8x2	RVSU-5/8
SCU6-32	2"	8-4225	56,74	3,53	VSEIU-3/4x2-1/2	RVSU-3/4

* - Il Kit per flange SAE (UNC), è composto da n.4 viti UNC, n. 4 rondelle e da 1 o-ring.

* - The Kit for SAE flange (UNC), is composed by n.4 UNC screws, n. 4 washers and n.1 o-ring.

