



# IMM.M.M.

# GIII

Adattatori ORFS / ORFS Adaptor

G

# IMMHy<sup>press</sup>

IMM Group



## Adattatori ORFS

Pagina / Page	3			4		4	
<b>ORFS Nut</b>				<b>ORFS Sleeve</b>			
	<b>6010</b> ORFS Nut			<b>6015</b> Sleeve	<b>6020</b> Braze Sleeve		
Pagina / Page	5	5	6	6			
<b>ORFS male</b>							
	<b>6000</b> Union ORFS	<b>6300</b> 90° Elbow Union ORFS	<b>6350</b> Union Tee ORFS	<b>6550</b> Cross Union ORFS			
Pagina / Page	7	8	8	9	9	10	
<b>ORFS Swivel</b>							
	<b>6056</b> Reducing F ORFS x M ORFS	<b>6055</b> Swivel Nut Female F ORFS x M ORFS	<b>6205</b> Swivel Nut Elbow F ORFS x M ORFS	<b>6255</b> Swivel 45° Nut Elbow F ORFS x M ORFS	<b>6620</b> Swivel Nut Run Tee ORFS	<b>6630</b> Swivel Nut Branch Tee ORFS	
Pagina / Page	10	11	11	12	12		
<b>ORFS ORFS bulkhead</b>							
	<b>6050</b> Bulkhead Union ORFS	<b>6510</b> Bulkhead Union Elbow ORFS	<b>6520</b> Bulkhead 45° Union Elb. ORFS	<b>6500</b> Run Tee Connector ORFS Bulkhead	<b>6490</b> Bulkhead Branch Tee ORFS		
Pagina / Page	13	13	14	14	15	15	
<b>UNF ORFS</b>							
	<b>6150</b> Bulkhead Connector M UNF x M ORFS	<b>6100</b> Male Connector M UNF x M ORFS	<b>6120</b> Swivel Nut female F ORFS x M UNF	<b>6200</b> 90° Elbow Connector UNF Orientable	<b>6950</b> Long Adjustable Elbow M ORFS x M UNF	<b>6250</b> 45° Elbow Connector UNF Orientable	
Pagina / Page	16	16	17		17		
<b>UNF ORFS</b>			<b>ORFS BSPT</b>		<b>ORFS NPTF</b>		
	<b>6400</b> Branch Tee Connector UNF Orientable	<b>6450</b> Run Tee Connector UNF Orientable		<b>6820</b> Male Connector M ORFS x M BSPT		<b>6830</b> Male Connector M ORFS x M NPTF	

Dimensions and general characteristics may be changed at any time without prior notice.

Data contained herein are for information purpose only, and it does not enlarge, amend or imply any warranty other than provided by us with the product  
Any use of the product not in conformance with our instructions may be dangerous.

## Adattatori ORFS

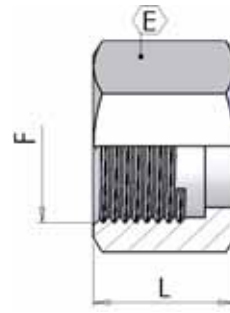
Pagina / Page	18	19	19	20	21	22
<b>ORFS BSP</b>						
	<b>6036</b> Swivel Nut Female F ORFS x M BSP or (ED)	<b>6800</b> Male Connector M ORFS x M BSP or	<b>6810</b> Male Connector M ORFS x M BSP	<b>6215</b> Adjustable Elbow M BSP x M ORFS	<b>6260</b> Adjustable 45° Elbow M ORFS x M BSP	<b>6340</b> Adj. Elb. with swivel nut M ORFS x M BSP
Pagina / Page	22	23			24	
<b>ORFS BSP</b>			<b>ORFS JIC</b>			
	<b>6460</b> Adjustable Run Tee ORFS - ORFS - BSP	<b>6410</b> Adjustable Branch Tee ORFS - BSP - ORFS			<b>6125</b> Swivel Nut Female F ORFS x M JIC	
Pagina / Page	24	25	25	26	26	
<b>ORFS METRIC</b>						
	<b>6900</b> Male Connector M ORFS x M Metric	<b>6920</b> Long Male Connector M ORFS x M Metric	<b>6320</b> Adjustable Elbow M ORFS x M Metric	<b>6940</b> Long Adjustable Elbow M ORFS x M Metric	<b>6270</b> Adjustable 45° Elbow M ORFS x M Metric	
Pagina / Page	27	27	28	29	29	
<b>ORFS METRIC</b>				<b>ORFS Plug</b>		
	<b>6420</b> Adjustable Branch Tee ORFS - Metric - ORFS	<b>6470</b> Adjustable Run Tee ORFS - ORFS - Metric	<b>6840</b> Male Connector ORFS Metric (ISO 6149-2)		<b>6600</b> ORFS Male Plug	
					<b>6610</b> ORFS Female Plug	

Dimensions and general characteristics may be changed at any time without prior notice.

Data contained herein are for information purpose only, and it does not enlarge, amend or imply any warranty other than provided by us with the product  
Any use of the product not in conformance with our instructions may be dangerous.

**6010 Dado ORFS**

ORFS nut

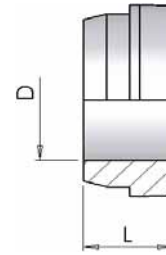


part number	Ø tube		Dimensions		
	mm	inch	F	L	E
<b>6010-06</b>	6	1/4"	9/16 - 18	15,0	19
<b>6010-09</b>	8-10	5/16"-3/8"	11/16 - 16	17,0	22
<b>6010-11</b>	12	1/2"	13/16 - 16	20,0	24
<b>6010-13</b>	14-16	5/8"	1 - 14	24,0	30
<b>6010-14</b>	18-20	3/4"	1.3/16 - 12	26,5	36
<b>6010-15</b>	25	1"	1.7/16 - 12	27,5	41
<b>6010-21</b>	30-32	1.1/4"	1.11/16 - 12	27,5	50
<b>6010-32</b>	38	1.1/2"	2 - 12	27,5	60



## 6015 **Bussola metrica**

Metric sleeve



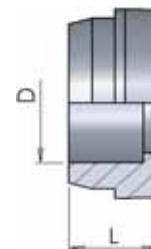
part number	Ø tube	Dimensions			
	mm	L	D		
6015-06	06	7,5	06		
6015-08	08	8,5	08		
6015-10	10	8,4	10		
6015-12	12	10,7	12		
6015-14	14	10,5	14		
6015-15	15	10,6	15		
6015-16	16	10,6	16		
6015-18	18	14	18		
6015-20	20	12,1	20		
6015-22	22	13,5	22		
6015-25	25	13,5	25		
6015-28	28	15,5	28		
6015-30	30	13	30		
6015-32	32	13	32		
6015-35	35	15,5	35		
6015-38	38	12,5	38		

## 6020 **Bussola a saldare**

Shoulder

**trattamento superficiale:**  
**surface treatment:**

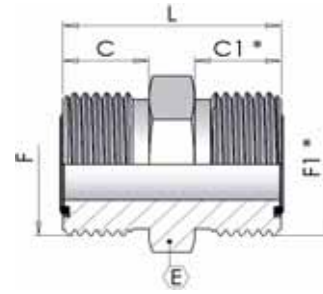
non zincato  
without zinc plating



part number	Ø tube	Dimensions			
	mm	L	D		
6020-06	06	9,5	06		
6020-08	08	9,5	08		
6020-10	10	9,5	10		
6020-12	12	9,5	12		
6020-14	14	10,5	14		
6020-15	15	10,5	15		
6020-16	16	10,5	16		
6020-18	18	14	18		
6020-20	20	14	20		
6020-22	22	15,5	22		
6020-25	25	15,5	25		
6020-28	28	15,5	28		
6020-30	30	15,5	30		
6020-32	32	15,5	32		
6020-35	35	15,5	35		
6020-38	38	15,5	38		

## 6000 Nipplo maschio

Male connector



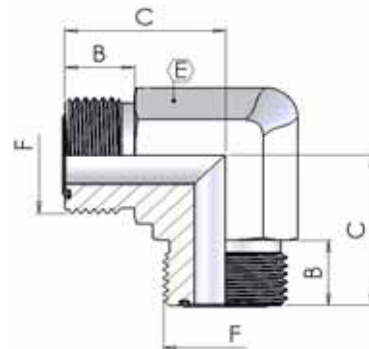
\* - F1 e C1 sono indicate solo per le riduzioni

\* - F1 and C1 are for jump size only

part number	Ø tube		Dimensions					
	mm	inch	F	F1	L	C	C1	E
6000-06	6	1/4"	9/16 - 18	-	27	10	-	17
6000-09	8-10	5/16"-3/8"	11/16 - 16	-	31	11	-	19
6000-11	12	1/2"	13/16 - 16	-	35	13	-	22
6000-11-09	8-10-12	5/16 to 1/2	13/16 - 16	11/16 - 16	34	13	11	22
6000-13	14-16	5/8"	1 - 14	-	43	16	-	27
6000-13-11	12-14-16	5/8"-1/2"	1 - 14	13/16 - 16	40	16	13	27
6000-14	18-20	3/4"	1.3/16 - 12	-	47	17	-	32
6000-14-13	14-16-18-20	5/8"-3/4"	1.3/16 - 12	1 - 14	46	17	16	32
6000-15	25	1"	1.7/16 - 12	-	49	18	-	38
6000-15-14	18-20-25	3/4"-1"	1.7/16 - 12	1.3/16 - 12	49	18	17	38
6000-21	30-32	1.1/4"	1.11/16 - 12	-	51	18	-	46
6000-32	38	1.1/2"	2 - 12	-	53	18	-	55

## 6300 Gomito a 90°

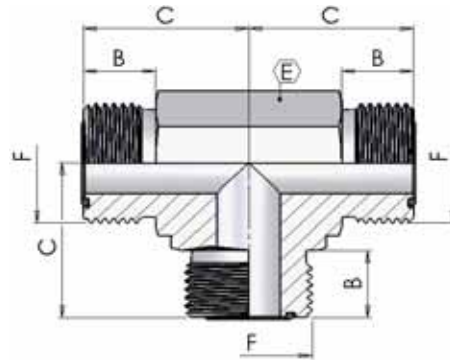
90° Elbow Union



part number	Ø tube		Dimensions			
	mm	inch	F	C	B	E
6300-06	6	1/4"	9/16 - 18	22	9	14
6300-09	8-10	5/16"-3/8"	11/16 - 16	25	10	19
6300-11	12	1/2"	13/16 - 16	28	12	19
6300-13	14-16	5/8"	1 - 14	33	14	27
6300-14	18-20	3/4"	1.3/16 - 12	37	15	30
6300-15	25	1"	1.7/16 - 12	38	18	32
6300-21	30-32	1.1/4"	1.11/16 - 12	45	18	41
6300-32	38	1.1/2"	2 - 12	49	18	48

**6350 Unione a T**

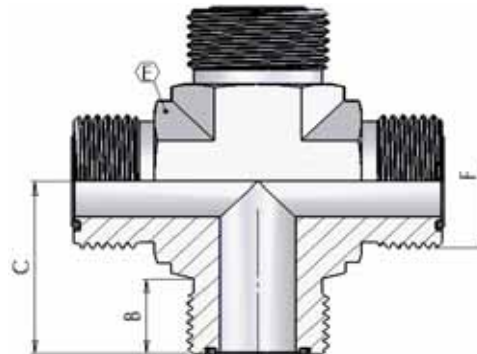
Union Tee



part number	Ø tube		Dimensions			
	mm	inch	F	C	B	E
6350-06	6	1/4"	9/16 - 18	22	10	14
6350-09	8-10	5/16"-3/8"	11/16 - 16	25	11	19
6350-11	12	1/2"	13/16 - 16	28	13	19
6350-13	14-16	5/8"	1 - 14	34	16	27
6350-14	18-20	3/4"	1.3/16 - 12	38	17	33
6350-15	25	1"	1.7/16 - 12	42	18	41
6350-21	30-32	1.1/4"	1.11/16 - 12	45	18	41
6350-32	38	1.1/2"	2 - 12	49	18	48

**6550 Unione a croce**

Cross Union

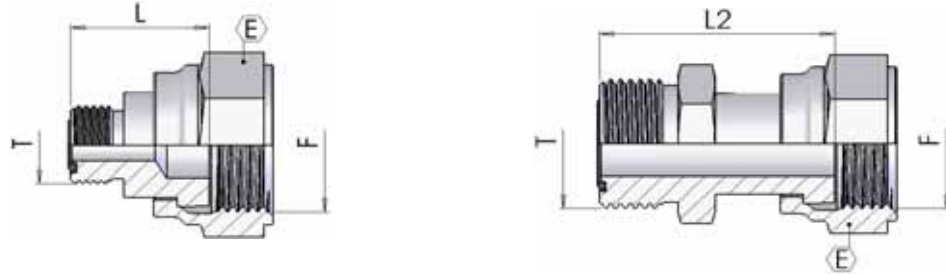


part number	Ø tube		Dimensions			
	mm	inch	F	C	B	E
6550-06	6	1/4"	9/16 - 18	22	10	14
6550-09	8-10	5/16"-3/8"	11/16 - 16	25	11	19
6550-11	12	1/2"	13/16 - 16	28	13	19
6550-13	14-16	5/8"	1 - 14	33	16	27
6550-14	18-20	3/4"	1.3/16 - 12	37	17	30
6550-15	25	1"	1.7/16 - 12	42	18	37
6550-21	30-32	1.1/4"	1.11/16 - 12	45	18	41
6550-32	38	1.1/2"	2 - 12	49	18	48



## 6056 **Riduzione maschio - femmina ORFS**

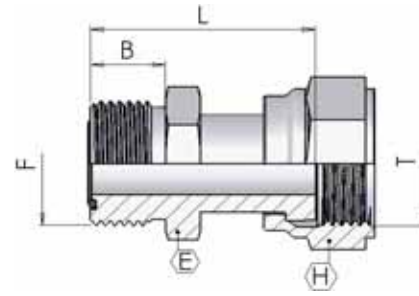
Reducing male - female ORFS



part number	Ø tube		Dimensions					
	mm	inch	F	T	L	L2	E	
<b>6056-09-06</b>	10-06	3/8"-1/4"	11/16""-16	9/16""-18	-	20	22	
<b>6056-11-06</b>	12-06	1/2"-1/4"	13/16""-16	9/16""-18	22	-	24	
<b>6056-11-09</b>	12-10	1/2"-3/8"	13/16""-16	11/16""-16	-	23	24	
<b>6056-13-06</b>	16-06	5/8"-1/4"	1"-14	9/16""-18	23	-	30	
<b>6056-13-09</b>	16-08	5/8"-5/16"	1"-14	11/16""-16	24	-	30	
<b>6056-13-11</b>	16-12	5/8"-1/2"	1"-14	13/16""-16	26	-	30	
<b>6056-14-06</b>	20-06	3/4"-1/4"	1.3/16""-12	9/16""-18	25	-	36	
<b>6056-14-09</b>	20-08	3/4"-5/16"	1.3/16""-12	11/16""-16	26	-	36	
<b>6056-14-11</b>	20-12	3/4"-1/2"	1.3/16""-12	13/16""-12	28	-	36	
<b>6056-14-13</b>	20-16	3/4"-5/8"	1.3/16""-12	1"-14	-	30	36	
<b>6056-15-11</b>	25-12	1"-1/2"	1.7/16""-12	13/16""-12	29	-	41	
<b>6056-15-13</b>	25-16	1"-5/8"	1.7/16""-12	1"-14	32	-	41	
<b>6056-15-14</b>	25-20	1"-3/4"	1.7/16""-12	1.3/16""-12	-	33	41	
<b>6056-21-14</b>	32-20	1"1/4"-3/4"	1.11/16""-12	1.3/16""-12	34	-	50	
<b>6056-21-15</b>	32-25	1-1"1/4"	1.11/16""-12	1.7/16""-12	-	39	50	
<b>6056-32-15</b>	38-25	1"1/2"-1"	2"-12	1.7/16""-12	34	-	60	
<b>6056-32-21</b>	38-32	1"1/2"-1"1/4"	2"-12	1.11/16""-12	34	-	60	

## 6055 Nipplo M/F ORFS

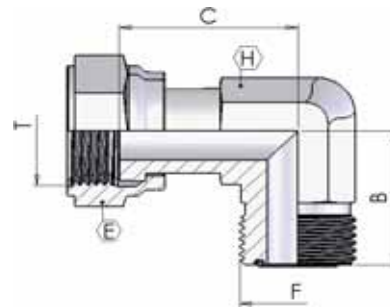
Swivel Union M/F ORFS



part number	Ø tube		Dimensions					
	mm	inch	F	T	B	L	E	
6055-06	6	1/4"	9/16"-18	9/16"-18	10	27	17	
6055-09	8-10	5/16"-3/8"	11/16"-16	11/16"-16	11	33	19	
6055-11	12	1/2"	13/16"-16	13/16"-16	13	36	22	
6055-13	14-16	5/8"	1"-14	1"-14	16	43	27	
6055-14	18-20	3/4"	1.3/16"-12	1.3/16"-12	17	43	32	
6055-15	25	1"	1.7/16"-12	1.7/16"-12	18	47	38	
6055-21	30-32	1.1/4"	1.11/16"-12	1.11/16"-12	18	48	46	
6055-32	38	1.1/2"	2"-12	2"-12	18	49	55	

## 6205 Gomito 90° Girevole M/F ORFS

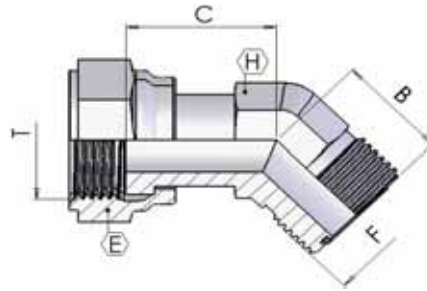
Swivel Nut Elbow M/F ORFS



part number	Ø tube		Dimensions						
	mm	inch	F	T	B	C	H	E	
6205-06	6	1/4"	9/16"-18	9/16"-18	22	27	14	19	
6205-09	8-10	5/16"-3/8"	11/16"-16	11/16"-16	25	29	19	22	
6205-11	12	1/2"	13/16"-16	13/16"-16	28	38	19	24	
6205-13	14-16	5/8"	1"-14	1"-14	34	41	27	30	
6205-14	18-20	3/4"	1.3/16"-12	1.3/16"-12	38	47	30	36	
6205-15	25	1"	1.7/16"-12	1.7/16"-12	42	54	37	41	
6205-21	30-32	1.1/4"	1.11/16"-12	1.11/16"-12	45	58	41	50	
6205-32	38	1.1/2"	2"-12	2"-12	49	61	48	60	

**6255 Gomito 45° Girevole M/F ORFS**

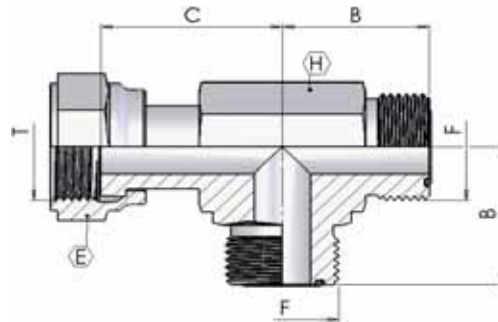
Swivel 45° Nut Elbow M/F ORFS



part number	Ø tube		Dimensions					
	mm	inch	F	T	B	C	H	E
6255-06	6	1/4"	9/16"-18	9/16"-18	16	22	14	19
6255-09	8-10	5/16"-3/8"	11/16"-16	11/16"-16	19	27	19	22
6255-11	12	1/2"	13/16"-16	13/16"-16	21	31	19	24
6255-13	14-16	5/8"	1"-14	1"-14	24	37	27	30
6255-14	18-20	3/4"	1.3/16"-12	1.3/16"-12	26	42	30	36
6255-15	25	1"	1.7/16"-12	1.7/16"-12	30	47	37	41
6255-21	30-32	1.1/4"	1.11/16"-12	1.11/16"-12	32	47	41	50
6255-32	38	1.1/2"	2"-12	2"-12	37	49	48	60

**6620 T con femmina girevole laterale**

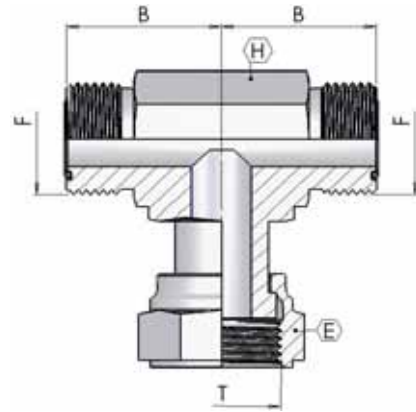
Female run tee



part number	Ø tube		Dimensions					
	mm	inch	F	T	B	C	H	E
6620-06	6	1/4"	9/16"-18	9/16"-18	22	27	14	19
6620-09	8-10	5/16"-3/8"	11/16"-16	11/16"-16	25	29	19	22
6620-11	12	1/2"	13/16"-16	13/16"-16	28	38	19	24
6620-13	14-16	5/8"	1"-14	1"-14	34	41	27	30
6620-14	18-20	3/4"	1.3/16"-12	1.3/16"-12	38	47	30	36
6620-15	25	1"	1.7/16"-12	1.7/16"-12	42	54	37	41
6620-21	30-32	1.1/4"	1.11/16"-12	1.11/16"-12	45	58	41	50
6620-32	38	1.1/2"	2"-12	2"-12	49	61	48	60

## 6630 T con femmina girevole centrale

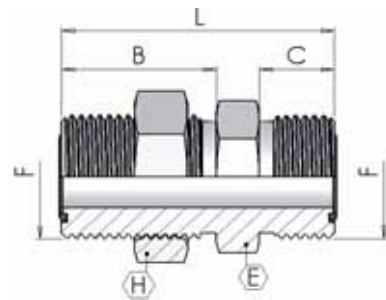
Female branch tee



part number	Ø tube		Dimensions					
	mm	inch	F	T	B	C	H	E
6630-06	6	1/4"	9/16"-18	9/16"-18	22	27	14	19
6630-09	8-10	5/16"-3/8"	11/16"-16	11/16"-16	25	29	19	22
6630-11	12	1/2"	13/16"-16	13/16"-16	28	38	19	24
6630-13	14-16	5/8"	1"-14	1"-14	34	41	27	30
6630-14	18-20	3/4"	1.3/16"-12	1.3/16"-12	38	47	30	36
6630-15	25	1"	1.7/16"-12	1.7/16"-12	42	54	37	41
6630-21	30-32	1.1/4"	1.11/16"-12	1.11/16"-12	45	58	41	50
6630-32	38	1.1/2"	2"-12	2"-12	49	61	48	60

## 6050 Passaparete

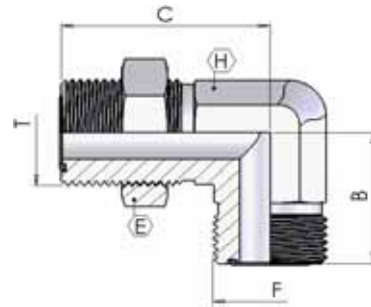
Bulkhead



part number	Dimensions					
	F	C	L	B	E	H
6050-06	9/16 - 18	10	48	32	17	22
6050-09	11/16 - 16	11	53	34	19	27
6050-11	13/16 - 16	13	58	37	22	30
6050-13	1 - 14	16	67	41	27	36
6050-14	1.3/16 - 12	17	69	42	32	41
6050-15	1.7/16 - 12	18	70	42	38	46
6050-21	1.11/16 - 12	18	70	42	46	50
6050-32	2 - 12	18	70	42	55	60

## 6510 **Passaparete a 90°**

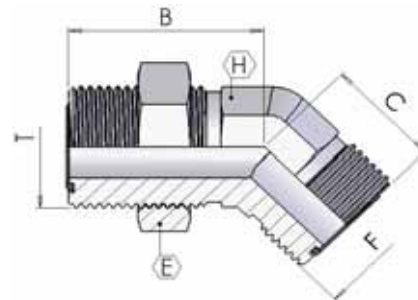
Bulkhead 90° Elbow Union



part number	Ø tube		Dimensions					
	mm	inch	F	T	B	C	E	H
6510-06	6	1/4"	9/16"-18	9/16"-18	23	47	22	14
6510-09	8-10	5/16"-3/8"	11/16"-16	11/16"-16	26	52	27	19
6510-11	12	1/2"	13/16"-16	13/16"-16	29	56	30	19
6510-13	14-16	5/8"	1"-14	1"-14	35	63	36	27
6510-14	18-20	3/4"	1.3/16"-12	1.3/16"-12	39	67	41	30
6510-15	25	1"	1.7/16"-12	1.7/16"-12	43	71	46	37
6510-21	30-32	1.1/4"	1.11/16"-12	1.11/16"-12	46	76	50	41
6510-32	38	1.1/2"	2"-12	2"-12	50	80	60	48

## 6520 **Passaparete a 45°**

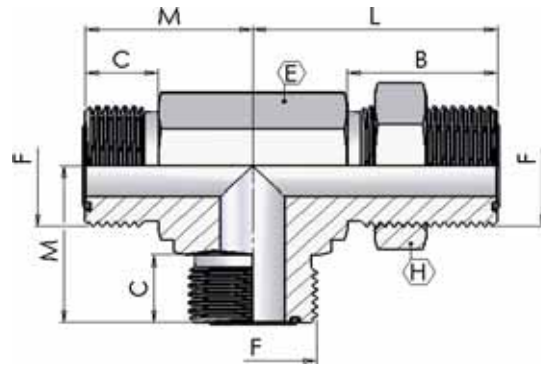
Bulkhead 45° Elbow Union



part number	Ø tube		Dimensions					
	mm	inch	F	T	B	C	E	H
6520-06	6	1/4"	9/16"-18	9/16"-18	47	23	22	14
6520-09	8-10	5/16"-3/8"	11/16"-16	11/16"-16	52	26	27	19
6520-11	12	1/2"	13/16"-16	13/16"-16	56	29	30	19
6520-13	14-16	5/8"	1"-14	1"-14	63	35	36	27
6520-14	18-20	3/4"	1.3/16"-12	1.3/16"-12	67	39	41	30
6520-15	25	1"	1.7/16"-12	1.7/16"-12	71	43	46	37
6520-21	30-32	1.1/4"	1.11/16"-12	1.11/16"-12	76	46	50	41
6520-32	38	1.1/2"	2"-12	2"-12	80	50	60	48

### 6500 T con passaparete laterale

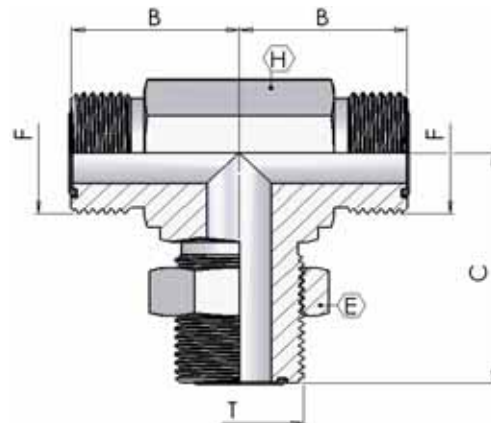
Bulkhead male run tee



part number	Ø tube		Dimensions						
	mm	inch	F	C	L	B	M	H	E
6500-06	6	1/4"	9/16 - 18	10	47	32	22	22	14
6500-09	8-10	5/16"-3/8"	11/16 - 16	11	52	34	25	27	19
6500-11	12	1/2"	13/16 - 16	13	55	37	28	30	19
6500-13	14-16	5/8"	1 - 14	16	63	41	33	36	27
6500-14	18-20	3/4"	1.3/16 - 12	17	67	42	37	41	30
6500-15	25	1"	1.7/16 - 12	18	71	42	42	46	37
6500-21	30-32	1.1/4"	1.11/16 - 12	18	75	42	45	50	41
6500-32	38	1.1/2"	2 - 12	18	80	42	49	60	48

### 6490 T con passaparete centrale

Bulkhead male Branch tee

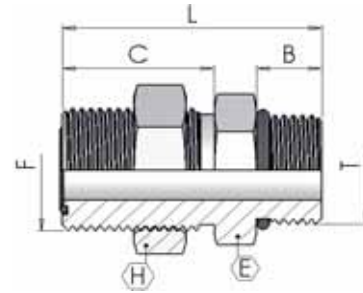


part number	Ø tube		Dimensions					
	mm	inch	F	T	B	C	E	H
6490-06	6	1/4"	9/16"-18	9/16"-18	23	47	22	14
6490-09	8-10	5/16"-3/8"	11/16"-16	11/16"-16	26	52	27	19
6490-11	12	1/2"	13/16"-16	13/16"-16	29	56	30	19
6490-13	14-16	5/8"	1"-14	1"-14	35	63	36	27
6490-14	18-20	3/4"	1.3/16"-12	1.3/16"-12	39	67	41	30
6490-15	25	1"	1.7/16"-12	1.7/16"-12	43	71	46	37
6490-21	30-32	1.1/4"	1.11/16"-12	1.11/16"-12	46	76	50	41
6490-32	38	1.1/2"	2"-12	2"-12	50	80	60	48



## 6150 Passaparete UNF

Straight bulkhead UNF male X ORFS male

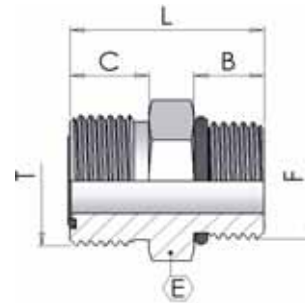


**Filettatura / Thread:**  
UNF/UN (ISO 11926-1)

part number	Ø tube		Dimensions						
	mm	inch	T	F	C	L	B	E	H
6150-04-06	6	1/4"	7/16 - 20	9/16 - 18	32	49	11	17	22
6150-06-09	8-10	5/16"-3/8"	9/16 - 18	11/16 - 16	34	54	12	19	27
6150-08-11	12	1/2"	3/4 - 16	13/16 - 16	37	60	14	22	30
6150-10-13	14-16	5/8"	7/8 - 14	1 - 14	41	67	16	27	36
6150-12-14	18-20	3/4"	1.1/16 - 12	1.3/16 - 12	42	71	19	32	41
6150-16-15	25	1"	1.5/16 - 12	1.7/16 - 12	42	71	19	38	46
6150-20-21	30-32	1.1/4"	1.5/8 - 12	1.11/16 - 12	42	71	19	46	50
6150-24-32	38	1.1/2"	1.7/8 - 12	2 - 12	42	71	19	55	60

## 6100 Niplo maschio ORFS/UNF

UNF male X ORFS male connector



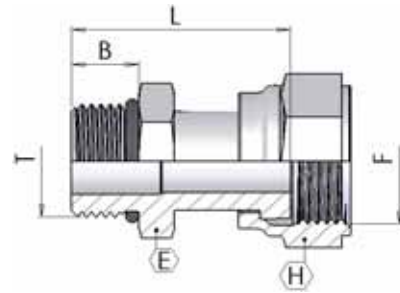
**Filettatura / Thread:**  
UNF/UN (ISO 11926-1)

part number	Ø tube		Dimensions						
	mm	inch	F	T	C	L	B	E	
6100-04-06	6	1/4"	7/16 - 20	9/16 - 18	10	29	11	17	
6100-06-06	8-10	5/16"-3/8"	9/16 - 18	9/16 - 18	10	31	12	19	
6100-06-09	8-10	5/16"-3/8"	9/16 - 18	11/16 - 16	11	32	12	19	
6100-08-11	12	1/2"	3/4 - 16	13/16 - 16	13	37	14	22	
6100-10-09	8-10	5/16"-3/8"	7/8 - 14	11/16 - 16	11	39	16	27	
6100-10-13	14-16	5/8"	7/8 - 14	1 - 14	16	43	16	27	
6100-10-14	18-20	3/4"	7/8 - 14	1.3/16 - 12	17	51	13	32	
6100-12-14	18-20	3/4"	1.1/16 - 12	1.3/16 - 12	17	49	19	32	
6100-12-15	25	1"	1.1/16 - 12	1.7/16 - 12	18	54	19	38	
6100-16-14	18-20	3/4"	1.5/16 - 12	1.3/16 - 12	17	50	19	38	
6100-16-15	25	1"	1.5/16 - 12	1.7/16 - 12	18	50	19	38	
6100-20-15	25	1"	1.5/8 - 12	1.7/16 - 12	18	52	19	46	
6100-20-21	30-32	1.1/4"	1.5/8 - 12	1.11/16 - 12	18	52	19	46	
6100-24-32	38	1.1/2"	1.7/8 - 12	2 - 12	18	54	19	55	

## 6120 **Femmina girevole ORFS/UNF**

Swivel Nut Female ORFS/UNF

**Filettatura / Thread:**  
UNF/UN (ISO 11926-1)

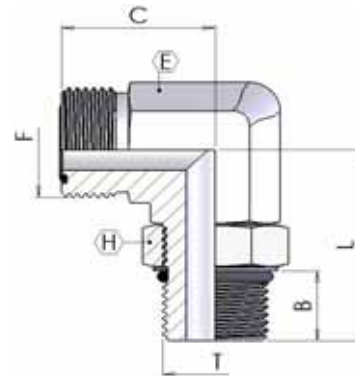


part number	Ø tube		Dimensions						
	mm	inch	F	T	B	L	E	H	
6120-04-06	6	1/4"	9/16"-18	7/16-20	11	38	16	19	
6120-04-09	8-10	5/16"-3/8"	11/16"-16	7/16-20	11	-	19	22	
6120-06-09	8-10	5/16"-3/8"	11/16"-16	9/16-18	12	41	19	22	
6120-08-09	8-10	5/16"-3/8"	11/16"-16	3/4-16	14	-	22	22	
6120-08-11	12	1/2"	13/16"-16	3/4-16	14	50	22	24	
6120-08-13	14-16	5/8"	1"-14	3/4-16	14	-	27	30	
6120-10-11	12	1/2"	13/16"-16	7/8-14	16	-	27	24	
6120-10-13	14-16	5/8"	1"-14	7/8-14	16	54	27	30	
6120-10-14	18-20	3/4"	1.3/16"-12	7/8-14	16	-	32	36	
6120-12-13	14-16	5/8"	1"-14	1.1/16-12	19	-	32	30	
6120-12-14	18-20	3/4"	1.3/16"-12	1.1/16-12	19	60	32	36	
6120-16-14	18-20	3/4"	1.3/16"-12	1.5/16-12	19	-	38	36	
6120-16-15	25	1"	1.7/16"-12	1.5/16-12	19	68	38	41	
6120-20-21	30-32	1.1/4"	1.11/16"-12	1.5/8-12	19	68	50	50	
6120-24-32	38	1.1/2"	2"-12	1.7/8-12	19	68	55	60	

## 6200 **Gomito 90° orientabile ORFS/UNF**

90° elbow "adjustable" connector ORFS male X  
UNF male

**Filettatura / Thread:**  
UNF/UN (ISO 11926-1)

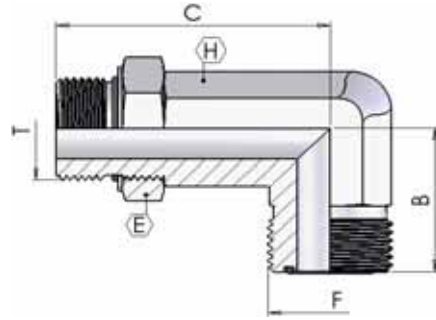


part number	Ø tube		Dimensions							
	mm	inch	T	F	C	L	B	H	E	
6200-04-06	6	1/4"	7/16 - 20	9/16 - 18	22	33	11	17	14	
6200-06-06	6	1/4"	9/16 - 18	9/16 - 18	23	37	12	17	19	
6200-06-09	8-10	5/16"-3/8"	9/16 - 18	11/16 - 16	25	37	12	19	19	
6200-08-11	12	1/2"	3/4 - 16	13/16 - 16	28	41	14	22	19	
6200-10-13	14-16	5/8"	7/8 - 14	1 - 14	33	50	16	27	27	
6200-12-14	18-20	3/4"	1.1/16 - 12	1.3/16 - 12	37	55	19	32	30	
6200-16-15	25	1"	1.5/16 - 12	1.7/16 - 12	42	60	19	38	37	
6200-20-21	30-32	1.1/4"	1.5/8 - 12	1.11/16 - 12	45	62	19	46	41	
6200-24-32	38	1.1/2"	1.7/8 - 12	2 - 12	49	66	19	55	48	

## 6950 **Gomito a 90° Orientabile Lungo ORFS/UNF**

Long Adjustale Elbow ORFS/UNF

**Filettatura / Thread:**  
UNF/UN (ISO 11926-1)

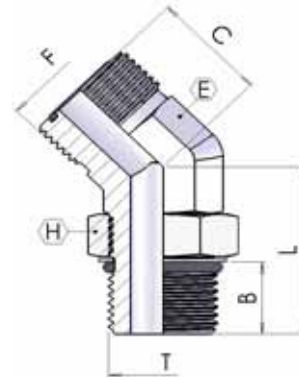


part number	Ø tube		Dimensions						
	mm	inch	F	T	B	C	E	H	
6950-04-06	6	1/4"	9/16"-18	7/16-20	22	57	16	14	
6950-04-09	8-10	5/16"-3/8"	11/16"-16	7/16-20	25	-	16	19	
6950-06-09	8-10	5/16"-3/8"	11/16"-16	9/16-18	25	67	19	19	
6950-08-09	8-10	5/16"-3/8"	11/16"-16	3/4-16	27	75	24	19	
6950-08-11	12	1/2"	13/16"-16	3/4-16	28	75	24	19	
6950-08-13	14-16	5/8"	1"-14	3/4-16	34	-	24	27	
6950-10-11	12	1/2"	13/16"-16	7/8-14	31	89	27	27	
6950-10-13	14-16	5/8"	1"-14	7/8-14	34	89	27	27	
6950-10-14	18-20	3/4"	1.3/16"-12	7/8-14	-	-	27	30	
6950-12-13	14-16	5/8"	1"-14	1.1/16-12	36	101	36	30	
6950-12-14	18-20	3/4"	1.3/16"-12	1.1/16-12	38	101	36	30	
6950-16-14	18-20	3/4"	1.3/16"-12	1.5/16-12	41	115	41	37	
6950-16-15	25	1"	1.7/16"-12	1.5/16-12	42	115	41	37	
6950-20-21	30-32	1.1/4"	1.11/16"-12	1.5/8-12	45	127	50	41	
6950-24-32	38	1.1/2"	2"-12	1.7/8-12	49	139	55	48	

## 6250 **Gomito 45° orientabile ORFS/UNF**

45° elbow "adjustable" connector ORFS male X  
UNF male

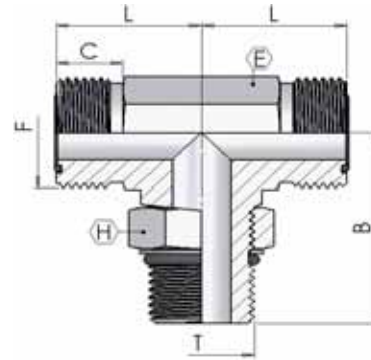
**Filettatura / Thread:**  
UNF/UN (ISO 11926-1)



part number	Ø tube		Dimensions							
	mm	inch	T	F	C	L	B	H	E	
6250-04-06	6	1/4"	7/16 - 20	9/16 - 18	16	30	10	17	14	
6250-06-09	8-10	5/16"-3/8"	9/16 - 18	11/16 - 16	19	33	12	19	19	
6250-08-11	12	1/2"	3/4 - 16	13/16 - 16	20	36	13	22	19	
6250-10-13	14-16	5/8"	7/8 - 14	1 - 14	23	45	14	27	27	
6250-12-14	18-20	3/4"	1.1/16 - 12	1.3/16 - 12	26	50	17	32	30	
6250-16-15	25	1"	1.5/16 - 12	1.7/16 - 12	30	52	17	38	37	
6250-20-21	30-32	1.1/4"	1.5/8 - 12	1.11/16 - 12	32	54	17	46	41	
6250-24-32	38	1.1/2"	1.7/8 - 12	2 - 12	37	54	17	55	48	

## 6400 T con maschio UNF centrale orientabile

Adjustable UNF male branch Tee

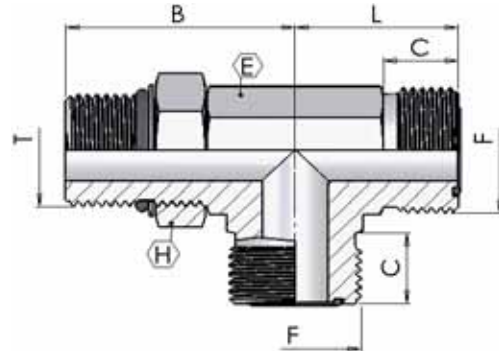


**Filettatura / Thread:**  
UNF/UN (ISO 11926-1)

part number	Ø tube		Dimensions						
	mm	inch	T	F	C	L	B	H	E
6400-04-06	6	1/4"	7/16 - 20	9/16 - 18	10	22	33	17	14
6400-06-09	8-10	5/16"-3/8"	9/16 - 18	11/16 - 16	11	25	37	19	19
6400-08-11	12	1/2"	3/4 - 16	13/16 - 16	13	28	41	22	19
6400-10-13	14-16	5/8"	7/8 - 14	1 - 14	16	33	50	27	27
6400-12-14	18-20	3/4"	1.1/16 - 12	1.3/16 - 12	17	37	55	32	30
6400-16-15	25	1"	1.5/16 - 12	1.7/16 - 12	18	42	60	38	37
6400-20-21	30-32	1.1/4"	1.5/8 - 12	1.11/16 - 12	18	45	62	46	41
6400-24-32	38	1.1/2"	1.7/8 - 12	2 - 12	18	49	66	55	48

## 6450 T con maschio UNF laterale orientabile

Adjustable UNF male run Tee



**Filettatura / Thread:**  
UNF/UN (ISO 11926-1)

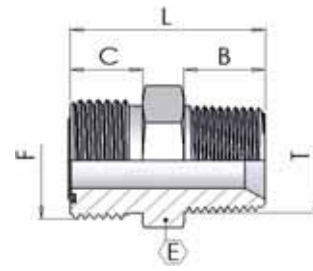
part number	Ø tube		Dimensions						
	mm	inch	T	F	C	L	B	H	E
6450-04-06	6	1/4"	7/16 - 20	9/16 - 18	10	22	33	17	14
6450-06-09	8-10	5/16"-3/8"	9/16 - 18	11/16 - 16	11	25	37	19	19
6450-08-11	12	1/2"	3/4 - 16	13/16 - 16	13	28	41	22	19
6450-10-13	14-16	5/8"	7/8 - 14	1 - 14	16	33	50	27	27
6450-12-14	18-20	3/4"	1.1/16 - 12	1.3/16 - 12	17	37	55	32	30
6450-16-15	25	1"	1.5/16 - 12	1.7/16 - 12	18	42	60	38	37
6450-20-21	30-32	1.1/4"	1.5/8 - 12	1.11/16 - 12	18	45	62	46	41
6450-24-32	38	1.1/2"	1.7/8 - 12	2 - 12	18	49	66	55	48

## 6820 Giunzione M/M ORFS/BSPT

Male Connector ORFS/BSPT

**Filettatura / Thread:**

BSPT (Form C DIN 3852)



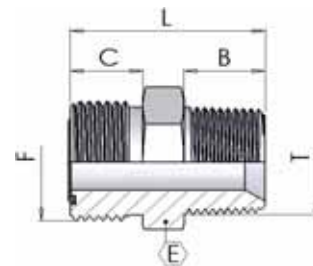
part number	Ø tube		Dimensions					
	mm	inch	F	T	B	C	L	E
6820-02-06	6	1/4"	9/16"-18	1/8	10	10	27	16
6820-04-06	6	1/4"	9/16"-18	1/4	15	10	33	16
6820-04-09	8-10	5/16"-3/8"	11/16"-16	1/4	15	11	34	19
6820-04-11	12	1/2"	13/16"-16	1/4	15	13	36	22
6820-06-09	8-10	5/16"-3/8"	11/16"-16	3/8	15	11	34	19
6820-06-11	12	1/2"	13/16"-16	3/8	15	13	36	22
6820-06-13	14-16	5/8"	1"-14	3/8	15	16	40	27
6820-08-11	12	1/2"	13/16"-16	1/2	19	13	42	22
6820-08-13	14-16	5/8"	1"-14	1/2	19	16	45	27
6820-08-14	18-20	3/4"	1.3/16"-12	1/2	19	17	48	32
6820-12-13	14-16	5/8"	1"-14	3/4	19	16	47	27
6820-12-14	18-20	3/4"	1.3/16"-12	3/4	19	17	48	23
6820-12-15	25	1"	1.7/16"-12	3/4	19	18	49	38
6820-16-14	18-20	3/4"	1.3/16"-12	1	24	17	54	36
6820-16-15	25	1"	1.7/16"-12	1	24	18	54	38
6820-16-21	30-32	1.1/4"	1.11/16"-12	1	24	18	56	46
6820-20-21	30-32	1.1/4"	1.11/16"-12	1.1/4	25	18	56	46
6820-20-32	38	1.1/2"	2"-12	1.1/4	25	18	58	55
6820-24-32	38	1.1/2"	2"-12	1.1/2	25	18	59	55

## 6830 Giunzione M/M ORFS/ NPTF

Male Connector ORFS/NPTF

**Filettatura / Thread:**

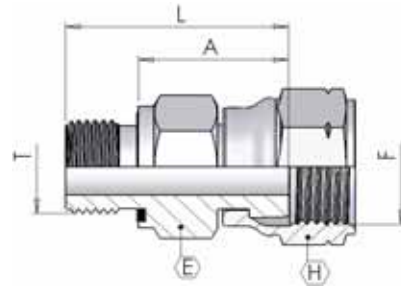
NPT (ANSI/ASME B1.20.1-1983)



part number	Ø tube		Dimensions					
	mm	inch	F	T	B	C	L	E
6830-02-06	6	1/4"	9/16"-18	1/8	10	10	27	16
6830-04-06	6	1/4"	9/16"-18	1/4	15	10	33	16
6830-04-09	8-10	5/16"-3/8"	11/16"-16	1/4	15	11	34	19
6830-04-11	12	1/2"	13/16"-16	1/4	15	13	36	22
6830-06-09	8-10	5/16"-3/8"	11/16"-16	3/8	15	11	34	19
6830-06-11	12	1/2"	13/16"-16	3/8	15	13	36	22
6830-06-13	14-16	5/8"	1"-14	3/8	15	16	40	27
6830-08-11	12	1/2"	13/16"-16	1/2	19	13	42	22
6830-08-13	14-16	5/8"	1"-14	1/2	19	16	45	27
6830-08-14	18-20	3/4"	1.3/16"-12	1/2	19	17	48	32
6830-12-13	14-16	5/8"	1"-14	3/4	19	16	47	27
6830-12-14	18-20	3/4"	1.3/16"-12	3/4	19	17	48	23
6830-12-15	25	1"	1.7/16"-12	3/4	19	18	49	38
6830-16-14	18-20	3/4"	1.3/16"-12	1	24	17	54	36
6830-16-15	25	1"	1.7/16"-12	1	24	18	54	38
6830-16-21	30-32	1.1/4"	1.11/16"-12	1	24	18	56	46
6830-20-21	30-32	1.1/4"	1.11/16"-12	1.1/4	25	18	56	46
6830-20-32	38	1.1/2"	2"-12	1.1/4	25	18	58	55
6830-24-32	38	1.1/2"	2"-12	1.1/2	25	18	59	55

**6036 Femmina girevole ORFS / BSP con guarnizione ED (DIN 3852 form E)**

Swivel Nut Female ORFS/BSP with "ED" seal (DIN 3852 form E)



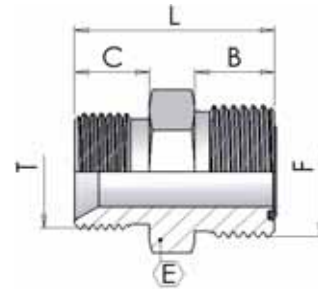
**Filettatura / Thread:**  
BSPP (Form E DIN 3852)

part number	Ø tube		Dimensions					
	mm	inch	F	T	A	L	E	H
6036-02-06	6	1/4"	9/16"-18	1/8	26	34	17	14
6036-04-06	6	1/4"	9/16"-18	1/4	26	38	17	19
6036-04-09	8-10	5/16"-3/8"	11/16"-16	1/4	28	40	22	19
6036-04-11	12	1/2"	13/16"-16	1/4	35	47	24	22
6036-06-09	8-10	5/16"-3/8"	11/16"-16	3/8	28	40	22	22
6036-06-11	12	1/2"	13/16"-16	3/8	35	47	24	22
6036-08-09	8-10	5/16"-3/8"	11/16"-16	1/2	28	42	22	27
6036-08-11	12	1/2"	13/16"-16	1/2	35	49	24	27
6036-08-13	14-15-16	5/8"	1"-14	1/2	38	52	30	27
6036-08-14	18-20	3/4"	1.3/16"-12	1/2	41	55	36	30
6036-12-13	14-15-16	5/8"	1"-14	3/4	38	54	30	32
6036-12-14	18-20	3/4"	1.3/16"-12	3/4	41	57	36	32
6036-16-15	22-25	1"	1.7/16"-12	1	49	67	41	41
6036-20-21	28-30-32	1.1/4"	1.11/16"-12	1.1/4	49	69	50	50
6036-24-32	35-38	1.1/2"	2"-12	1.1/2	50	72	60	55



## 6810 Giunzione M/M ORFS/BSP

Giunzione M/M ORFS/BSP

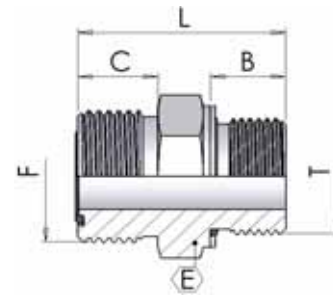


part number	Ø tube		Dimensions					
	mm	inch	F	T	B	C	L	E
6810-02-06	6	1/4"	9/16"-18	1/8-28	10	8	26	16
6810-04-09	8-10	5/16"-3/8"	11/16"-16	1/4-19	11	11	31	19
6810-06-11	12	1/2"	13/16"-16	3/8-19	13	12	35	22
6810-08-13	16	5/8"	1"-14	1/2-14	16	14	41	27
6810-12-14	20	3/4"	1.3/16"-12	3/4-11	17	16	46	32
6810-16-15	25	1"	1.7/16"-12	1-11	18	19	51	38
6810-20-21	32	1.1/4"	1.11/16"-12	1.1/4-11	18	20	54	46
6810-24-32	38	1.1/2"	2"-12	1.1/2-11	18	22	58	55

## 6800 Giunzione M/M ORFS/BSP O'Ring

Male Connector ORFS/BSP O'Ring

**Filettatura / Thread:**  
BSPP (ISO 1179-3)

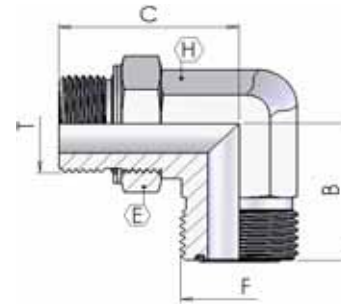


part number	Ø tube		Dimensions					
	mm	inch	F	T	B	C	L	E
6800-02-06	6	1/4"	9/16"-18	1/8-28	8	10	25	16
6800-04-06	6	1/4"	9/16"-18	1/4-19	12	10	31	19
6800-04-09	8-10	5/16"-3/8"	11/16"-16	1/4-19	12	11	32	19
6800-04-11	12	1/2"	13/16"-16	1/4-19	12	13	36	22
6800-06-06	6	1/4"	9/16"-18	3/8-19	12	10	31	22
6800-06-09	8-10	5/16"-3/8"	11/16"-16	3/8-19	12	11	32	24
6800-06-11	12	1/2"	13/16"-16	3/8-19	12	13	34	24
6800-06-13	14-16	5/8"	1"-14	3/8-19	11	16	37	27
6800-08-09	8-10	5/16"-3/8"	11/16"-16	1/2-14	14	11	35	27
6800-08-11	12	1/2"	13/16"-16	1/2-14	14	13	37	27
6800-08-13	14-16	5/8"	1"-14	1/2-14	15	16	40	30
6800-08-14	18-20	3/4"	1.3/16"-12	1/2-14	14	17	47	32
6800-12-11	12	1/2"	13/16"-16	3/4-11	16	13	41	36
6800-12-13	14-16	5/8"	1"-14	3/4-11	15	16	44	36
6800-12-14	18-20	3/4"	1.3/16"-12	3/4-11	15	17	45	36
6800-12-15	25	1"	1.7/16"-12	3/4-11	16	18	50	38
6800-16-13	14-16	5/8"	1"-14	1-11	18	16	48	41
6800-16-14	18-20	3/4"	1.3/16"-12	1-11	18	17	48	41
6800-16-15	25	1"	1.7/16"-12	1-11	18	18	48	41
6800-16-21	30-32	1.1/4"	1.11/16"-12	1-11	18	18	55	46
6800-20-15	25	1"	1.7/16"-12	1.1/4-11	20	18	52	50
6800-20-21	30-32	1.1/4"	1.11/16"-12	1.1/4-11	20	18	52	50
6800-24-32	38	1.1/2"	2"-12	1.1/2-11	22	18	56	60

## 6215 **Gomito a 90° Orientabile** **ORFS/BSP**

Adjustable Elbow ORFS/BSP

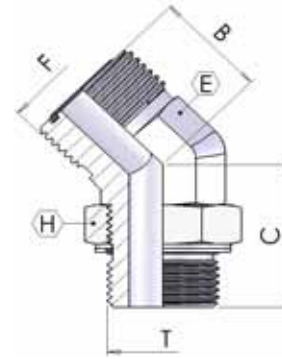
**Filettatura / Thread:**  
BSPP (ISO 1179-3)



part number	Ø tube		Dimensions					
	mm	inch	F	T	B	C	H	E
6215-02-06	6	1/4"	9/16"-18	1/8-28	22	30	14	14
6215-04-06	6	1/4"	9/16"-18	1/4-19	24	36	19	19
6215-04-09	8-10	5/16"-3/8"	11/16"-16	1/4-19	25	36	19	19
6215-04-11	12	1/2"	13/16"-16	1/4-19	28	36	19	19
6215-06-06	6	1/4"	9/16"-18	3/8-19	25	39	19	24
6215-06-09	8-10	5/16"-3/8"	11/16"-16	3/8-19	27	39	19	24
6215-06-11	12	1/2"	13/16"-16	3/8-19	28	39	19	24
6215-06-13	14-16	5/8"	1"-14	3/8-19	34	44	27	24
6215-08-09	8-10	5/16"-3/8"	11/16"-16	1/2-14	30	49	27	27
6215-08-11	12	1/2"	13/16"-16	1/2-14	31	49	27	27
6215-08-14	18-20	3/4"	1.3/16"-12	1/2-14	38	50	30	27
6215-08-13	14-16	5/8"	1"-14	1/2-14	34	49	27	27
6215-12-11	12	1/2"	13/16"-16	3/4-11	34	52	30	36
6215-12-13	14-16	5/8"	1"-14	3/4-11	36	52	30	36
6215-12-14	18-20	3/4"	1.3/16"-12	3/4-11	38	52	30	36
6215-12-15	25	1"	1.7/16"-12	3/4-11	42	58	37	36
6215-16-14	18-20	3/4"	1.3/16"-12	1-11	41	59	37	41
6215-16-15	25	1"	1.7/16"-12	1-11	42	59	37	41
6215-16-21	30-32	1.1/4"	1.11/16"-12	1-11	45	61	41	41
6215-20-15	25	1"	1.7/16"-12	1.1/4-11	45	61	41	50
6215-20-21	30-32	1.1/4"	1.11/16"-12	1.1/4-11	45	61	41	50
6215-24-32	38	1.1/2"	2"-12	1.1/2-11	49	65	48	60

## 6260 **Gomito a 45° Orientabile ORFS/BSP**

Adjustable 45° Elbow ORFS/BSP

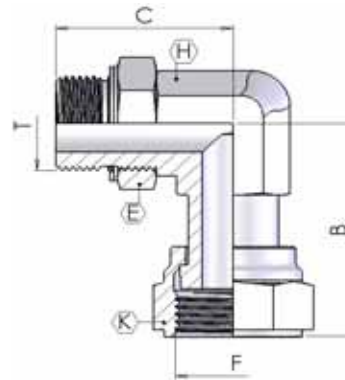


**Filettatura / Thread:**  
BSPP (ISO 1179-3)

part number	Ø tube		Dimensions					
	mm	inch	F	T	B	C	H	E
6260-02-06	6	1/4"	9/16"-18	1/8-28	22	27	14	14
6260-04-06	6	1/4"	9/16"-18	1/4-19	24	32	19	19
6260-04-09	8-10	5/16"-3/8"	11/16"-16	1/4-19	25	32	19	19
6260-04-11	12	1/2"	13/16"-16	1/4-19	28	33	19	19
6260-06-06	6	1/4"	9/16"-18	3/8-19	25	34	24	19
6260-06-09	8-10	5/16"-3/8"	11/16"-16	3/8-19	27	34	24	19
6260-06-11	12	1/2"	13/16"-16	3/8-19	28	34	24	19
6260-06-13	14-16	5/8"	1"-14	3/8-19	34	34	24	27
6260-08-09	8-10	5/16"-3/8"	11/16"-16	1/2-14	30	42	27	27
6260-08-11	12	1/2"	13/16"-16	1/2-14	31	42	27	27
6260-08-14	18-20	3/4"	1.3/16"-12	1/2-14	38	46	27	30
6260-08-13	14-16	5/8"	1"-14	1/2-14	34	42	27	27
6260-12-11	12	1/2"	13/16"-16	3/4-11	34	47	36	30
6260-12-13	14-16	5/8"	1"-14	3/4-11	36	47	36	30
6260-12-14	18-20	3/4"	1.3/16"-12	3/4-11	38	47	36	30
6260-12-15	25	1"	1.7/16"-12	3/4-11	42	47	36	37
6260-16-14	18-20	3/4"	1.3/16"-12	1-11	41	51	41	37
6260-16-15	25	1"	1.7/16"-12	1-11	45	51	41	37
6260-16-21	30-32	1.1/4"	1.11/16"-12	1-11	45	52	41	41
6260-20-15	25	1"	1.7/16"-12	1.1/4-11	45	52	50	41
6260-20-21	30-32	1.1/4"	1.11/16"-12	1.1/4-11	45	52	50	41
6260-24-32	38	1.1/2"	2"-12	1.1/2-11	49	52	60	48

### 6340 **Gomito a 90° Orientabile con Femmina Girevole ORFS/BSP**

Adjustable Elbow with Swivel Nut ORFS/BSP

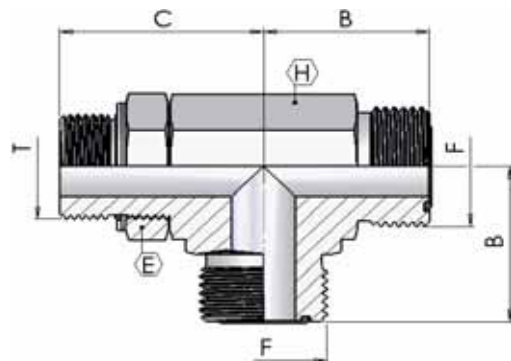


**Filettatura / Thread:**  
BSPP (ISO 1179-3)

part number	Ø tube		Dimensions						
	mm	inch	F	T	B	C	E	H	K
6340-02-06	6	1/4"	9/16"-18	1/8"	27	30	14	14	19
6340-04-09	8-10	5/16"-3/8"	11/16"-16	1/4"	29	36	19	19	22
6340-06-11	12	1/2"	13/16"-16	3/8"	38	39	24	19	24
6340-08-13	14-16	5/8"	1"-14	1/2"	41	49	27	27	30
6340-12-14	18-20	3/4"	1.3/16"-12	3/4"	47	52	36	30	36
6340-16-15	25	1"	1.7/16"-12	1"	54	59	41	37	41
6340-20-21	30-32	1.1/4"	1.11/16"-12	1.1/4"	58	61	50	41	50
6340-24-32	38	1.1/2"	2"-12	1.1/2"	61	65	50	48	60

### 6460 **T ORFS con maschio BSP laterale orientabile**

Adjustable Run Tee ORFS/BSP



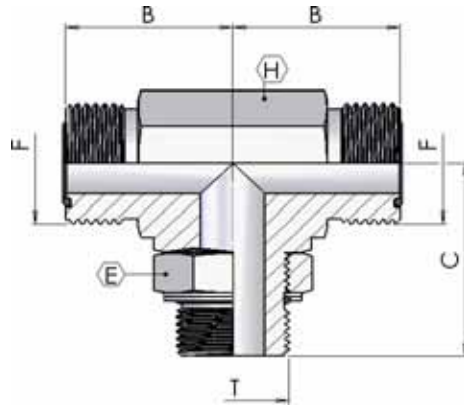
**Filettatura / Thread:**  
BSPP (ISO 1179-3)

part number	Ø tube		Dimensions						
	mm	inch	F	T	B	C	H	E	
6460-02-06	6	1/4"	9/16"-18	1/8-28	22	30	14	14	
6460-04-06	6	1/4"	9/16"-18	1/4-19	24	36	19	19	
6460-04-09	8-10	5/16"-3/8"	11/16"-16	1/4-19	25	36	19	19	
6460-04-11	12	1/2"	13/16"-16	1/4-19	28	36	19	19	
6460-06-06	6	1/4"	9/16"-18	3/8-19	25	39	19	24	
6460-06-09	8-10	5/16"-3/8"	11/16"-16	3/8-19	27	39	19	24	
6460-06-11	12	1/2"	13/16"-16	3/8-19	28	39	19	24	
6460-06-13	14-16	5/8"	1"-14	3/8-19	34	44	27	24	
6460-08-09	8-10	5/16"-3/8"	11/16"-16	1/2-14	30	49	27	27	
6460-08-11	12	1/2"	13/16"-16	1/2-14	31	49	27	27	
6460-08-14	18-20	3/4"	1.3/16"-12	1/2-14	38	50	30	27	
6460-08-13	14-16	5/8"	1"-14	1/2-14	34	49	27	27	
6460-12-11	12	1/2"	13/16"-16	3/4-11	34	52	30	36	
6460-12-13	14-16	5/8"	1"-14	3/4-11	36	52	30	36	
6460-12-14	18-20	3/4"	1.3/16"-12	3/4-11	38	52	30	36	
6460-12-15	25	1"	1.7/16"-12	3/4-11	42	58	37	36	
6460-16-14	18-20	3/4"	1.3/16"-12	1-11	41	59	37	41	
6460-16-15	25	1"	1.7/16"-12	1-11	42	59	37	41	
6460-16-21	30-32	1.1/4"	1.11/16"-12	1-11	45	61	41	41	
6460-20-15	25	1"	1.7/16"-12	1.1/4-11	45	61	41	50	
6460-20-21	30-32	1.1/4"	1.11/16"-12	1.1/4-11	45	61	41	50	
6460-24-32	38	1.1/2"	2"-12	1.1/2-11	49	65	48	60	

## 6410 T ORFS con maschio BSP centrale orientabile

Adjustable Branch Tee ORFS/BSP

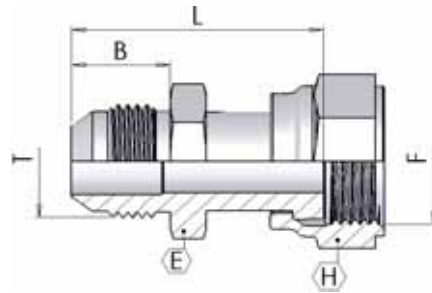
**Filettatura / Thread:**  
BSPP (ISO 1179-3)



part number	Ø tube		Dimensions					
	mm	inch	F	T	B	C	H	E
6410-02-06	6	1/4"	9/16"-18	1/8-28	22	30	14	14
6410-04-06	6	1/4"	9/16"-18	1/4-19	24	36	19	19
6410-04-09	8-10	5/16"-3/8"	11/16"-16	1/4-19	25	36	19	19
6410-04-11	12	1/2"	13/16"-16	1/4-19	28	36	19	19
6410-06-06	6	1/4"	9/16"-18	3/8-19	25	39	19	24
6410-06-09	8-10	5/16"-3/8"	11/16"-16	3/8-19	27	39	19	24
6410-06-11	12	1/2"	13/16"-16	3/8-19	28	39	19	24
6410-06-13	14-16	5/8"	1"-14	3/8-19	34	44	27	24
6410-08-09	8-10	5/16"-3/8"	11/16"-16	1/2-14	30	49	27	27
6410-08-11	12	1/2"	13/16"-16	1/2-14	31	49	27	27
6410-08-14	18-20	3/4"	1.3/16"-12	1/2-14	38	50	30	27
6410-08-13	14-16	5/8"	1"-14	1/2-14	34	49	27	27
6410-12-11	12	1/2"	13/16"-16	3/4-11	34	52	30	36
6410-12-13	14-16	5/8"	1"-14	3/4-11	36	52	30	36
6410-12-14	18-20	3/4"	1.3/16"-12	3/4-11	38	52	30	36
6410-12-15	25	1"	1.7/16"-12	3/4-11	42	58	37	36
6410-16-14	18-20	3/4"	1.3/16"-12	1-11	41	59	37	41
6410-16-15	25	1"	1.7/16"-12	1-11	42	59	37	41
6410-16-21	30-32	1.1/4"	1.11/16"-12	1-11	45	61	41	41
6410-20-15	25	1"	1.7/16"-12	1.1/4-11	45	61	41	50
6410-20-21	30-32	1.1/4"	1.11/16"-12	1.1/4-11	45	61	41	50
6410-24-32	38	1.1/2"	2"-12	1.1/2-11	49	65	48	60

## 6125 **Femmina girevole ORFS/JIC**

Swivel Nut Female ORFS/JIC



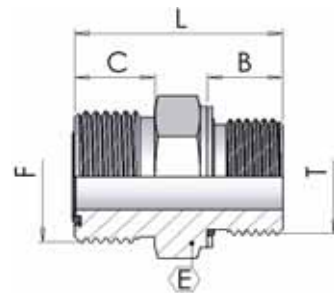
**Filettatura / Thread:**

UN/UNF (ISO 8434-2)

part number	Ø tube		Dimensions					
	mm	inch	F	T	B	L	E	H
6125-04-06	6	1/4"	9/16"-18	7/16-20	14	41	13	19
6125-06-09	8-10	5/16"-3/8"	11/16"-16	9/16-18	14	43	16	22
6125-08-11	12	1/2"	13/16"-16	3/4-16	17	53	22	24
6125-10-13	16	5/8"	1"-14	7/8-14	20	58	24	30
6125-12-14	20	3/4"	1.3/16"-12	1.1/16-12	22	64	30	36
6125-16-15	25	1"	1.7/16"-12	1.5/16-12	23	72	36	41
6125-20-21	32	1.1/4"	1.11/16"-12	1.5/8-12	25	74	42	50
6125-24-32	38	1.1/2"	2"-12	1.7/8-12	28	77	50	60

## 6900 **Giunzione M/M ORFS/ Metrico DIN 3852-1**

Giunzione M/M ORFS/ Metrico DIN 3852-1



**Filettatura / Thread:**

Metric Parallel

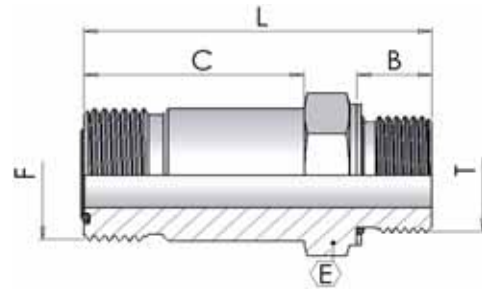
part number	Ø tube		Dimensions					
	mm	inch	F	T	B	C	L	E
6900-10-06	6	1/4"	9/16"-18	M10x1	9	34	26	16
6900-12-06	6	1/4"	9/16"-18	M12x1,5	12	34	29	17
6900-14-09	8-10	5/16"-3/8"	11/16"-16	M14x1,5	-	37	31	19
6900-16-09	8-10	5/16"-3/8"	11/16"-16	M16x1,5	13	37	33	22
6900-16-11	12	1/2"	13/16"-16	M16x1,5	-	45	38	22
6900-18-11	12	1/2"	13/16"-16	M18x1,5	14	45	36	24
6900-18-13	14-16	5/8"	1"-14	M18x1,5	-	53	43	27
6900-22-13	14-16	5/8"	1"-14	M22x1,5	15	53	41	30
6900-22-14	18-20	3/4"	1.3/16"-12	M22x1,5	-	64	-	32
6900-27-14	18-20	3/4"	1.3/16"-12	M27x2	19	64	48	36
6900-27-15	25	1"	1.7/16"-12	M27x2	-	73	-	38
6900-33-15	25	1"	1.7/16"-12	M33x2	19	73	50	41
6900-42-21	30-32	1.1/4"	1.11/16"-12	M42x2	19	87	53	50
6900-48-32	38	1.1/2"	2"-12	M48x2	22	97	55	60



## 6920 Giunzione Lunga M/M ORFS/ Metrico DIN 3852-1

Long Male Connector ORFS/ Metric DIN 3852-1

**Filettatura / Thread:**  
Metric Parallel

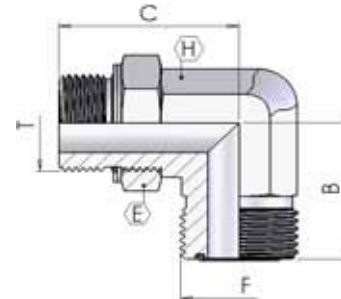


part number	Ø tube		Dimensions					
	mm	inch	F	T	B	C	L	E
6920-10-06	6	1/4"	9/16"-18	M10x1	9	34	50	16
6920-12-06	6	1/4"	9/16"-18	M12x1,5	12	34	53	17
6920-14-09	8-10	5/16"-3/8"	11/16"-16	M14x1,5	-	37	57	19
6920-16-09	8-10	5/16"-3/8"	11/16"-16	M16x1,5	13	37	59	22
6920-16-11	12	1/2"	13/16"-16	M16x1,5	-	45	69	22
6920-18-11	12	1/2"	13/16"-16	M18x1,5	14	45	68	24
6920-18-13	14-16	5/8"	1"-14	M18x1,5	-	53	80	27
6920-22-13	14-16	5/8"	1"-14	M22x1,5	15	53	78	30
6920-22-14	18-20	3/4"	1.3/16"-12	M22x1,5	-	64	-	32
6920-27-14	18-20	3/4"	1.3/16"-12	M27x2	19	64	95	36
6920-27-15	25	1"	1.7/16"-12	M27x2	-	73	-	38
6920-33-15	25	1"	1.7/16"-12	M33x2	19	73	106	41
6920-42-21	30-32	1.1/4"	1.11/16"-12	M42x2	19	87	122	50
6920-48-32	38	1.1/2"	2"-12	M48x2	22	97	135	60

## 6320 Gomito a 90° Orientabile ORFS/ Metrico DIN 3852-1

Adjustable Elbow ORFS/ Metric DIN 3852-1

**Filettatura / Thread:**  
Metric Parallel

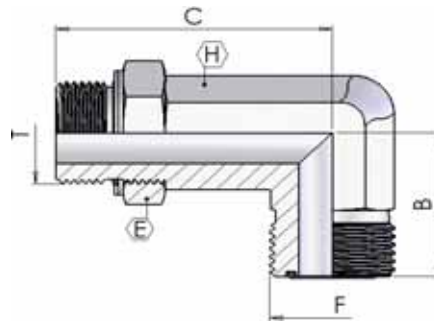


part number	Ø tube		Dimensions					
	mm	inch	F	T	B	C	H	E
6320-10-06	6	1/4"	9/16"-18	M10x1	22	32	14	14
6320-12-06	6	1/4"	9/16"-18	M12x1,5	22	33	14	17
6320-14-09	8-10	5/16"-3/8"	11/16"-16	M14x1,5	25	37	19	19
6320-16-09	8-10	5/16"-3/8"	11/16"-16	M16x1,5	25	37	19	22
6320-16-11	12	1/2"	13/16"-16	M16x1,5	28	40	19	22
6320-18-11	12	1/2"	13/16"-16	M18x1,5	28	40	19	24
6320-18-13	14-16	5/8"	1"-14	M18x1,5	34	45	27	24
6320-22-13	14-16	5/8"	1"-14	M22x1,5	34	49	27	27
6320-22-14	18-20	3/4"	1.3/16"-12	M22x1,5	38	50	30	27
6320-27-14	18-20	3/4"	1.3/16"-12	M27x2	38	55	30	36
6320-27-15	25	1"	1.7/16"-12	M27x2	42	56	37	36
6320-33-15	25	1"	1.7/16"-12	M33x2	42	60	37	41
6320-42-21	30-32	1.1/4"	1.11/16"-12	M42x2	45	62	41	50
6320-48-32	38	1.1/2"	2"-12	M48x2	49	68	48	60

## 6940 Gomito a 90° Orientabile Lungo ORFS/ Metrico DIN 3852-1

Long Adjustale Elbow ORFS/ Metric DIN 3852-1

**Filettatura / Thread:**  
Metric Parallel

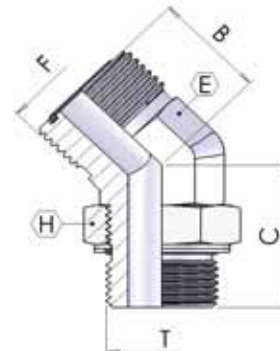


part number	Ø tube		Dimensions					
	mm	inch	F	T	B	C	L	E
6940-10-06	6	1/4"	9/16"-18	M10x1	22	56	14	14
6940-12-06	6	1/4"	9/16"-18	M12x1,5	22	57	14	17
6940-14-09	8-10	5/16"-3/8"	11/16"-16	M14x1,5	25	66	19	19
6940-16-09	8-10	5/16"-3/8"	11/16"-16	M16x1,5	25	72	19	22
6940-16-11	12	1/2"	13/16"-16	M16x1,5	28	74	19	22
6940-18-11	12	1/2"	13/16"-16	M18x1,5	28	75	19	24
6940-18-13	14-16	5/8"	1"-14	M18x1,5	34	84	27	24
6940-22-13	14-16	5/8"	1"-14	M22x1,5	34	88	27	27
6940-22-14	18-20	3/4"	1.3/16"-12	M22x1,5	38	96	30	27
6940-27-14	18-20	3/4"	1.3/16"-12	M27x2	38	100	30	36
6940-27-15	25	1"	1.7/16"-12	M27x2	42	111	37	36
6940-33-15	25	1"	1.7/16"-12	M33x2	42	115	37	41
6940-42-21	30-32	1.1/4"	1.11/16"-12	M42x2	45	127	41	50
6940-48-32	38	1.1/2"	2"-12	M48x2	49	142	48	60

## 6270 Gomito a 45° Orientabile ORFS/ Metrico DIN 3852-1

Adjustable 45° Elbow ORFS/ Metric DIN 3852-1

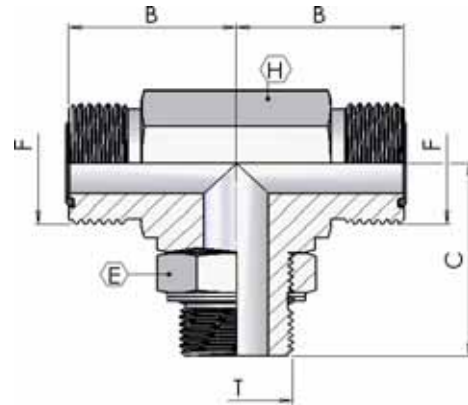
**Filettatura / Thread:**  
Metric Parallel



part number	Ø tube		Dimensions					
	mm	inch	F	T	B	C	H	E
6270-10-06	6	1/4"	9/16"-18	M10x1	16	30	14	14
6270-12-06	6	1/4"	9/16"-18	M12x1,5	16	30	14	17
6270-14-09	8-10	5/16"-3/8"	11/16"-16	M14x1,5	19	-	19	19
6270-16-09	8-10	5/16"-3/8"	11/16"-16	M16x1,5	19	34	19	22
6270-16-11	12	1/2"	13/16"-16	M16x1,5	21	-	19	22
6270-18-11	12	1/2"	13/16"-16	M18x1,5	21	37	19	24
6270-18-13	14-16	5/8"	1"-14	M18x1,5	24	-	27	24
6270-22-13	14-16	5/8"	1"-14	M22x1,5	24	44	27	27
6270-22-14	18-20	3/4"	1.3/16"-12	M22x1,5	26	-	30	27
6270-27-14	18-20	3/4"	1.3/16"-12	M27x2	26	51	30	36
6270-27-15	25	1"	1.7/16"-12	M27x2	30	-	37	36
6270-33-15	25	1"	1.7/16"-12	M33x2	30	53	37	41
6270-42-21	30-32	1.1/4"	1.11/16"-12	M42x2	32	54	41	50
6270-48-32	38	1.1/2"	2"-12	M48x2	37	57	48	60

### 6420 T ORFS con maschio Metrico (DIN 3852-1) centrale orientabile

Adjustable Branch Tee ORFS/ Metric DIN 3852-1

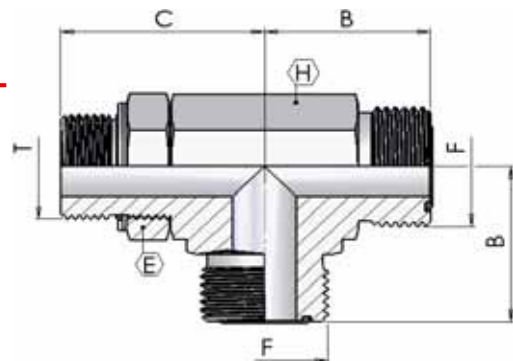


**Filettatura / Thread:**  
Metric Parallel

part number	Ø tube		Dimensions					
	mm	inch	F	T	B	C	H	E
6420-10-06	6	1/4"	9/16"-18	M10x1	22	32	14	14
6420-12-06	6	1/4"	9/16"-18	M12x1,5	22	33	14	17
6420-14-09	8-10	5/16"-3/8"	11/16"-16	M14x1,5	25	37	19	19
6420-16-09	8-10	5/16"-3/8"	11/16"-16	M16x1,5	25	37	19	22
6420-16-11	12	1/2"	13/16"-16	M16x1,5	28	40	19	22
6420-18-11	12	1/2"	13/16"-16	M18x1,5	28	40	19	24
6420-18-13	14-16	5/8"	1"-14	M18x1,5	34	45	27	24
6420-22-13	14-16	5/8"	1"-14	M22x1,5	34	49	27	27
6420-22-14	18-20	3/4"	1.3/16"-12	M22x1,5	38	50	30	27
6420-27-14	18-20	3/4"	1.3/16"-12	M27x2	38	55	30	36
6420-27-15	25	1"	1.7/16"-12	M27x2	42	56	37	36
6420-33-15	25	1"	1.7/16"-12	M33x2	42	60	37	41
6420-42-21	30-32	1.1/4"	1.11/16"-12	M42x2	45	62	41	50
6420-48-32	38	1.1/2"	2"-12	M48x2	49	68	48	60

### 6470 T ORFS con maschio Metrico (DIN 3852-1) laterale orientabile

Adjustable Run Tee ORFS/ Metric DIN 3852-1



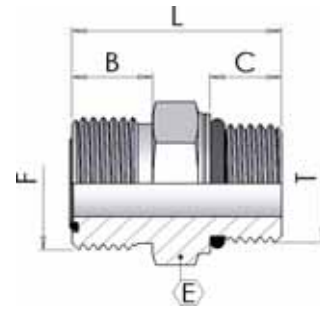
**Filettatura / Thread:**  
Metric Parallel

part number	Ø tube		Dimensions					
	mm	inch	F	T	B	C	H	E
6470-10-06	6	1/4"	9/16"-18	M10x1	22	32	14	14
6470-12-06	6	1/4"	9/16"-18	M12x1,5	22	33	14	17
6470-14-09	8-10	5/16"-3/8"	11/16"-16	M14x1,5	25	37	19	19
6470-16-09	8-10	5/16"-3/8"	11/16"-16	M16x1,5	25	37	19	22
6470-16-11	12	1/2"	13/16"-16	M16x1,5	28	40	19	22
6470-18-11	12	1/2"	13/16"-16	M18x1,5	28	40	19	24
6470-18-13	14-16	5/8"	1"-14	M18x1,5	34	45	27	24
6470-22-13	14-16	5/8"	1"-14	M22x1,5	34	49	27	27
6470-22-14	18-20	3/4"	1.3/16"-12	M22x1,5	38	50	30	27
6470-27-14	18-20	3/4"	1.3/16"-12	M27x2	38	55	30	36
6470-27-15	25	1"	1.7/16"-12	M27x2	42	56	37	36
6470-33-15	25	1"	1.7/16"-12	M33x2	42	60	37	41
6470-42-21	30-32	1.1/4"	1.11/16"-12	M42x2	45	62	41	50
6470-48-32	38	1.1/2"	2"-12	M48x2	49	68	48	60

## 6840 **Giunzione M/M ORFS/ Metrico ISO 6149-2**

Male Connector ORFS/ Metric ISO 6149-2

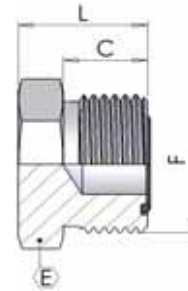
**Filettatura / Thread:**  
Metric (ISO 6149-2)



part number	Ø tube		Dimensions						
	mm	inch	F	T	B	C	L	E	
6840-10-06	6	1/4"	9/16"-18	M10x1	9,8	9	27	17	
6840-12-06	6	1/4"	9/16"-18	M12x1,5	9,8	11	29	17	
6840-12-09	8-10	5/16"-3/8"	11/16"-16	M12x1,5	11,2	11	34	19	
6840-14-06	6	1/4"	9/16"-18	M14x1,5	9,8	11	30	19	
6840-14-09	8-10	5/16"-3/8"	11/16"-16	M14x1,5	11,2	11	31	19	
6840-14-11	12	1/2"	13/16"-16	M14x1,5	12,8	11	35	22	
6840-16-09	8-10	5/16"-3/8"	11/16"-16	M16x1,5	11,2	13	34	22	
6840-16-11	12	1/2"	13/16"-16	M16x1,5	12,8	13	37	24	
6840-18-09	8-10	5/16"-3/8"	11/16"-16	M18x1,5	11,2	14	35	24	
6840-18-11	12	1/2"	13/16"-16	M18x1,5	12,8	14	37	24	
6840-18-13	14-15-16	5/8"	1"-14	M18x1,5	15,5	14	41	27	
6840-22-09	8-10	5/16"-3/8"	11/16"-16	M22x1,5	11,2	15	38	27	
6840-22-11	12	1/2"	13/16"-16	M22x1,5	12,8	15	39	27	
6840-22-13	14-15-16	5/8"	1"-14	M22x1,5	15,5	15	42	27	
6840-22-14	18-20	3/4"	1.3/16"-12	M22x1,5	17,0	15	50	32	
6840-27-11	12	1/2"	13/16"-16	M27x2	12,8	18	44	32	
6840-27-14	18-20	3/4"	1.3/16"-12	M27x2	17,0	19	49	32	
6840-27-15	22-25	1"	1.7/16"-12	M27x2	17,5	18	54	41	
6840-33-14	18-20	3/4"	1.3/16"-12	M33x2	17,0	19	50	41	
6840-33-15	22-25	1"	1.7/16"-12	M33x2	17,5	18	52	41	
6840-33-21	28-30-32	1.1/4"	1.11/16"-12	M33x2	17,5	18	54	46	
6840-42-21	28-30-32	1.1/4"	1.11/16"-12	M42x2	17,5	19	55	50	
6840-42-32	35-38	1.1/2"	2"-12	M42x2	17,5	19	60	55	
6840-48-32	35-38	1.1/2"	2"-12	M48x2	17,5	21	57	55	

## 6600 Tappo maschio

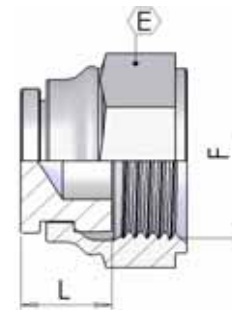
Male plug



part number	Dimensions			
	F	C	L	E
<b>6600-06</b>	9/16 - 18	10	17	17
<b>6600-09</b>	11/16 - 16	11	19	19
<b>6600-11</b>	13/16 - 16	13	22	22
<b>6600-13</b>	1 - 14	16	26	27
<b>6600-14</b>	1.3/16 - 12	17	27	32
<b>6600-15</b>	1.7/16 - 12	18	28	38
<b>6600-21</b>	1.11/16 - 12	18	28	46
<b>6600-32</b>	2 - 12	18	28	55

## 6610 Tappo femmina girevole

Female Plug Swivel



part number	Dimensions			
	F		L	E
<b>6610-06</b>	9/16 - 18		13	19
<b>6610-09</b>	11/16 - 16		15	22
<b>6610-11</b>	13/16 - 16		15	24
<b>6610-13</b>	1 - 14		17	30
<b>6610-14</b>	1.3/16 - 12		16	36
<b>6610-15</b>	1.7/16 - 12		19	41
<i>Dado Libero</i> <b>6610-21</b>	1.11/16 - 12		22	50
<i>Dado Libero</i> <b>6610-32</b>	2 - 12		22	60

