



IMM.M.M.

Adattatori JIC / JIC adaptors

F



FMF



IMMHy press

IMM Group

Adattatori JIC

Pagina / Page	3	4	4			
Nut, Slives						
	5000 Nut	5010 Metric Sleeve	5020 Sleeve			
Pagina / Page	5	5	6	7	7	
JIC swivel						
	5050 Swivel Connector M UNF x F JIC	5055 Swivel Union M Jic x F Jic	5035 Swivel Connector M BSP x F JIC	5056 Swivel Reduction M Jic x F Jic	5060 90° Swivel Elbow F JIC x M JIC	
Pagina / Page	8	8	9		9	
JIC swivel				NPSM NPTF		
	5070 45° Swivel Elbow F JIC x M JIC	5080 Run Tee Swivel Connector	5090 Branch Tee Swivel Connector		5260 Swivel Connector F NPSM x M NPTF	
Pagina / Page	10	10	11	11	12	
JIC JIC						
	1900 Union	5110 Bulkhead Union	5100 90° Elbow Union	5130 90° Bulkhead Elbow Union	5114 Bulkhead 45° Union Elb. JIC	
Pagina / Page	12	13	13	14		
JIC JIC						
	5120 Union Tee JIC	5135 Bulkhead Run Tee JIC	5137 Bulkhead Branch Tee JIC	5900 Union Cross JIC		
Pagina / Page	14	15	15	16	16	17
JIC NPTF						
	1906 Male Connector M JIC x M NPTF	5140 90° Elbow Connector M JIC x M NPTF	5160 Run Tee Connector Jic-Jic-NPTF	5150 45° Elbow Connector M JIC x M NPTF	5170 Branch Tee Connector Jic-NPTF-Jic	5180 Male-Female Connector M JIC x F NPTF

Dimensions and general characteristics may be changed at any time without prior notice.

Data contained herein are for information purpose only, and it does not enlarge, amend or imply any warranty other than provided by us with the product
Any use of the product not in conformance with our instructions may be dangerous.

Adattori JIC

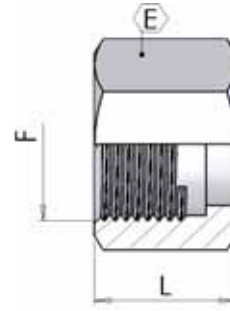
Pagina / Page	18	18	19	19	20	
JIC UNF						
	1907 Male Connector M JIC x M UNF	5205 Long Male Connector M Jic x M UNF	5190 90° Elbow Connector UNF Orientable	5195 Long Adjustable Elbow UNF Orientable	5200 45° Elbow Connector UNF Orientable	
Pagina / Page	20	21		21	22	23
JIC UNF			JIC BSP			
	5210 Run Tee Connector UNF Orientable	5220 Branch Tee Connector UNF Orientable		1905 Male Connector M JIC x M BSP	1915 Male Connector M Jic x M BSP or	5185 Male-Female Connector M JIC x F BSP
Pagina / Page	23	24	24	25	25	26
JIC BSP						
	5230 90° Elbow Connector BSP Orientable	5235 Adjustable 45° Elbow M JIC x M BSP	5240 Run Tee Connector BSP Orientable	5250 Branch Tee Connector BSP Orientable	5255 Adj. Elb. with swivel nut F JIC x M BSP	5036 Swivel Connector F JIC x M BSP or (ED)
Pagina / Page	27	27	28		29	30
JIC BSPT						
	1903 Male Connector M Jic x M BSPT	5165 90° Elbow Connector M JIC x M BSPT	5265 45° Elbow Connector M JIC x M BSPT		5275 Run Tee Connector Jic-Jic-BSPT	5280 Branch Tee Connector Jic-BSPT-Jic
Pagina / Page	31	31	32	32	33	34
JIC METRIC						
	1777 Male Connector M Jic x M Metric	5395 Long Male Connector M Jic x M Metric	5400 Adjustable Elbow M JIC x M Metric	5405 Long Adjustable Elbow M JIC x M Metric	5410 Adjustable 45° Elbow M JIC x M Metric	5425 Adjustable Branch Tee JIC - JIC - Metric
Pagina / Page	34	35		35	36	36
JIC METRIC			Plugs			
	5420 Adjustable Run Tee JIC - Metric - JIC	5037 Swivel Connector F JIC x M Metric or (ED)		5040 SAE Plug	J605 JIC Male Plug	J608 JIC Female Plug Swivel

Dimensions and general characteristics may be changed at any time without prior notice.

Data contained herein are for information purpose only, and it does not enlarge, amend or imply any warranty other than provided by us with the product
Any use of the product not in conformance with our instructions may be dangerous.

5000 Dado

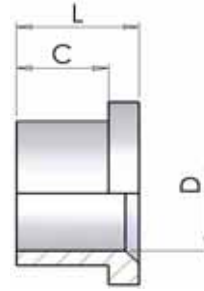
Nut



part number	Ø tube		Dimensions			
	mm	inch	F	L	E	
5000-04	6	1/4"	7/16" - 20	16	14	
5000-05	8	5/16"	1/2" - 20	17	17	
5000-06	10	3/8"	9/16" - 18	18	19	
5000-08	12	1/2"	3/4" - 16	21	22	
5000-10	16	5/8"	7/8" - 14	25	27	
5000-12	20	3/4"	1.1/16" - 12	26	32	
5000-16	25	1"	1.5/16" - 12	28	41	
5000-20	32	1-1/4"	1.5/8" - 12	31	50	
5000-24	38	1-1/2"	1.7/8" - 12	36	60	

5010 Bussola per tubo metrico

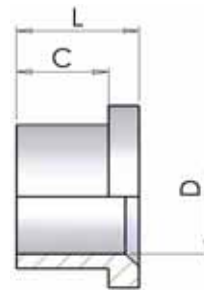
Sleeve for inches tube



part number	Ø tube	Dimensions		
	mm	L	C	D
5010-06	6	10	7	6
5010-08	8	11	7	8
5010-10	10	13	8	10
5010-12	12	14	9	12
5010-14	14	17	11	14
5010-15	15	17	11	15
5010-16	16	17	11	16
5010-18	18	17	11	18
5010-20	20	17	11	20
5010-25	25	20	13	25
5010-30	30	23	15	30
5010-32	32	23	15	32
5010-38	38	28	20	38

5020 Bussola per tubo in pollici

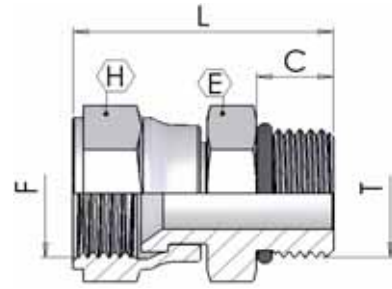
Sleeve for inches tube



part number	Ø tube	Dimensions		
	inch	L	C	D
5020-04	1/4"	10	7	1/4"
5020-05	5/16"	11	7	5/16"
5020-06	3/8"	13	8	3/8"
5020-08	1/2"	14	9	1/2"
5020-10	5/8"	17	11	5/8"
5020-12	3/4"	17	11	3/4"
5020-16	1"	20	13	1"
5020-20	1.1/4"	23	15	1.1/4"
5020-24	1.1/2"	28	20	1.1/2"

5050 Nipplo maschio UNF/femmina JIC

Connector swivel JIC female X UNF male

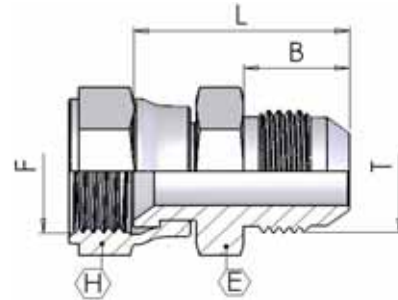


Filettatura / Thread:
UNF/UN (ISO 11926-1)

part number	Ø tube		Dimensions					
	mm	inch	F	T	C	L	H	E
5050-04	6	1/4"	7/16" - 20	7/16" - 20	9	33	15	14
5050-05	8	5/16"	1/2" - 20	1/2" - 20	9	34	17	17
5050-06	10	3/8"	9/16" - 18	9/16" - 18	10	36	19	17
5050-08	12	1/2"	3/4" - 16	3/4" - 16	11	42	24	22
5050-10	16	5/8"	7/8" - 14	7/8" - 14	13	47	27	27
5050-12	20	3/4"	1.1/16" - 12	1.1/16" - 12	15	51	32	32
5050-16	25	1"	1.5/16" - 12	1.5/16" - 12	15	58	38	38
5050-20	32	1-1/4"	1.5/8" - 12	1.5/8" - 12	15	63	50	50
5050-24	38	1-1/2"	1.7/8" - 12	1.7/8" - 12	15	68	55	55

5055 Nipplo M/F Jic

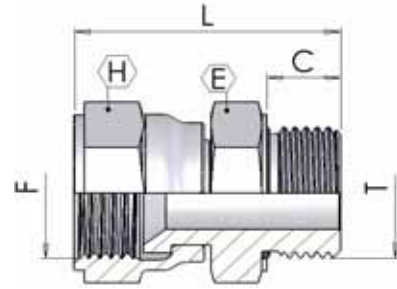
Swivel Union M/F JIC



part number	Ø tube		Dimensions					
	mm	inch	F	T	C	L	H	E
5055-04	6	1/4"	7/16" - 20	7/16" - 20	14	27	15	12
5055-05	8	5/16"	1/2" - 20	1/2" - 20	14	28	17	14
5055-06	10	3/8"	9/16" - 18	9/16" - 18	14	29	19	15
5055-08	12	1/2"	3/4" - 16	3/4" - 16	17	34	24	19
5055-10	16	5/8"	7/8" - 14	7/8" - 14	19	39	27	24
5055-12	20	3/4"	1.1/16" - 12	1.1/16" - 12	22	43	32	27
5055-16	25	1"	1.5/16" - 12	1.5/16" - 12	23	47	38	34
5055-20	32	1-1/4"	1.5/8" - 12	1.5/8" - 12	24	53	50	42
5055-24	38	1-1/2"	1.7/8" - 12	1.7/8" - 12	28	60	55	50
5055-32	50	2"	2.1/2"-12	2.1/2"-12	34	71	60	65

5035 Nipplo maschio BSP/femmina JIC

Connector swivel JIC female X BSP male

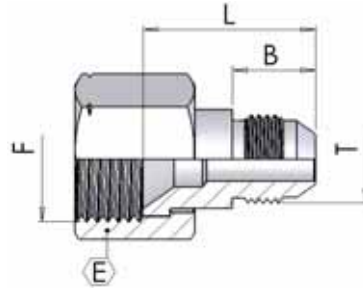


Filettatura / Thread:
BSPP (ISO 1179-3)

part number	Ø tube		Dimensions					
	mm	inch	F	T	C	L	H	E
5035-04-02	6	1/4"	7/16" - 20	1/8"-28	8	28	15	14
5035-04-04	6	1/4"	7/16" - 20	1/4"-19	11	33	15	19
5035-04-06	6	1/4"	7/16" - 20	3/8"-19	11	36	15	22
5035-04-08	6	1/4"	7/16" - 20	1/2"-14	15	41	15	27
5035-05-04	8	5/16"	1/2" - 20	1/4"-19	11	34	17	19
5035-05-06	8	5/16"	1/2" - 20	3/8"-19	11	37	17	22
5035-06-04	10	3/8"	9/16" - 18	1/4"-19	11	35	19	19
5035-06-06	10	3/8"	9/16" - 18	3/8"-19	11	36	19	22
5035-06-08	10	3/8"	9/16" - 18	1/2"-14	15	41	19	27
5035-08-04	12	1/2"	3/4" - 16	1/4"-19	11	36	24	19
5035-08-06	12	1/2"	3/4" - 16	3/8"-19	11	39	24	22
5035-08-08	12	1/2"	3/4" - 16	1/2"-14	15	43	24	27
5035-10-06	16	5/8"	7/8" - 14	3/8"-19	11	43	27	22
5035-10-08	16	5/8"	7/8" - 14	1/2"-14	15	47	27	27
5035-10-12	16	5/8"	7/8" - 14	3/4"-14	15	49	27	32
5035-12-08	20	3/4"	1.1/16" - 12	1/2"-14	15	49	32	27
5035-12-12	20	3/4"	1.1/16" - 12	3/4"-14	15	49	32	32
5035-12-16	20	3/4"	1.1/16" - 12	1"-11	19	55	32	41
5035-16-12	25	1"	1.5/16" - 12	3/4"-14	15	52	38	32
5035-16-16	25	1"	1.5/16" - 12	1"-11	19	58	38	41
5035-16-20	25	1"	1.5/16" - 12	1.1/4"-11	19	63	38	50
5035-20-16	32	1-1/4"	1.5/8" - 12	1"-11	19	58	50	41
5035-20-20	32	1-1/4"	1.5/8" - 12	1.1/4"-11	19	63	50	50
5035-24-24	38	1-1/2"	1.7/8" - 12	1.1/2"-11	19	69	55	55

5056 Riduzione M/F Jic

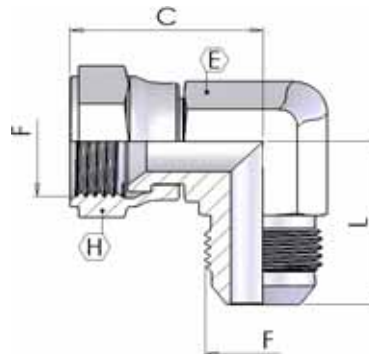
Swivel Reduction M/F JIC



part number	Ø tube		Dimensions				
	mm	inch	F	T	B	L	E
5056-06-04	10	3/8"	9/16" - 18	7/16" - 20	14	23	19
5056-06-05	10	3/8"	9/16" - 18	1/2" - 20	14	23	19
5056-08-04	12	1/2"	3/4" - 16	7/16" - 20	14	24	22
5056-08-05	12	1/2"	3/4" - 16	1/2" - 20	14	24	22
5056-08-06	12	1/2"	3/4" - 16	9/16" - 18	14	24	22
5056-10-04	16	5/8"	7/8" - 14	7/16" - 20	14	25	27
5056-10-06	16	5/8"	7/8" - 14	9/16" - 18	14	25	27
5056-10-08	16	5/8"	7/8" - 14	3/4" - 16	17	28	27
5056-12-04	20	3/4"	1.1/16" - 12	7/16" - 20	14	27	32
5056-12-06	20	3/4"	1.1/16" - 12	9/16" - 18	14	27	32
5056-12-08	20	3/4"	1.1/16" - 12	3/4" - 16	17	30	32
5056-12-10	20	3/4"	1.1/16" - 12	7/8" - 14	19	32	32
5056-16-10	25	1"	1.5/16" - 12	7/8" - 14	19	34	41
5056-16-12	25	1"	1.5/16" - 12	1.1/16" - 12	22	36	41
5056-20-12	32	1.1/4"	1.5/8" - 12	1.1/16" - 12	22	39	50
5056-20-16	32	1.1/4"	1.5/8" - 12	1.5/16" - 12	23	40	50
5056-24-12	38	1.1/2"	1.7/8" - 12	1.1/16" - 12	22	41	60
5056-24-16	38	1.1/2"	1.7/8" - 12	1.5/16" - 12	23	42	60
5056-24-20	38	1.1/2"	1.7/8" - 12	1.5/8" - 12	24	43	60

5060 Gomito 90° maschio/femm. girevole JIC

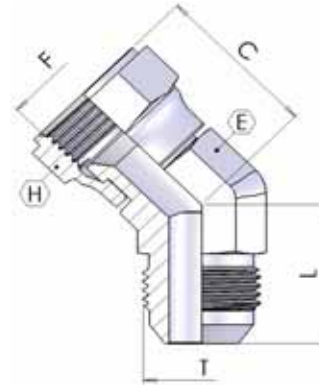
90° connector swivel JIC female X JIC male



part number	Ø tube		Dimensions					
	mm	inch	F	T	C	L	H	E
5060-04	6	1/4"	7/16" - 20	7/16" - 20	26	23	16	14
5060-05	8	5/16"	1/2" - 20	1/2" - 20	29	26	16	14
5060-06	10	3/8"	9/16" - 18	9/16" - 18	32	26	19	14
5060-08	12	1/2"	3/4" - 16	3/4" - 16	35	32	24	19
5060-10	16	5/8"	7/8" - 14	7/8" - 14	41	36	27	22
5060-12	20	3/4"	1.1/16" - 12	1.1/16" - 12	44	40	32	27
5060-16	25	1"	1.5/16" - 12	1.5/16" - 12	50	42	38	34
5060-20	32	1.1/4"	1.5/8" - 12	1.5/8" - 12	59	52	50	41
5060-24	38	1.1/2"	1.7/8" - 12	1.7/8" - 12	66	59	60	48
5060-32	50	2"	2.1/2" - 12	2.1/2" - 12	78	85	66	70

5070 **Gomito 45° maschio/femm. girevole JIC**

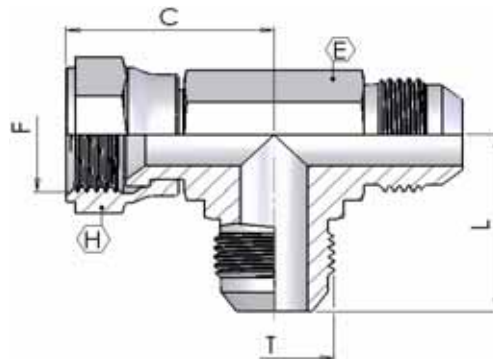
45° connector swivel JIC female X JIC male



part number	Ø tube		Dimensions					
	mm	inch	F	T	C	L	H	E
5070-04	6	1/4"	7/16" - 20	7/16" - 20	24	19	16	14
5070-05	8	5/16"	1/2" - 20	1/2" - 20	25	21	16	14
5070-06	10	3/8"	9/16" - 18	9/16" - 18	25	21	19	14
5070-08	12	1/2"	3/4" - 16	3/4" - 16	32	29	24	19
5070-10	16	5/8"	7/8" - 14	7/8" - 14	34	29	27	22
5070-12	20	3/4"	1.1/16" - 12	1.1/16" - 12	38	33	32	27
5070-16	25	1"	1.5/16" - 12	1.5/16" - 12	44	48	38	33

5080 **T con femmina girevole laterale**

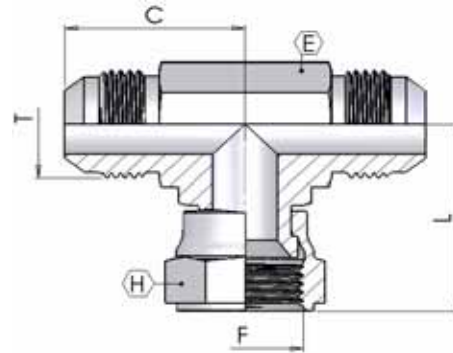
Female run tee



part number	Ø tube		Dimensions					
	mm	inch	F	T	C	L	H	E
5080-04	6	1/4"	7/16" - 20	7/16" - 20	25	23	15	11
5080-05	8	5/16"	1/2" - 20	1/2" - 20	27	24	17	13
5080-06	10	3/8"	9/16" - 18	9/16" - 18	32	27	19	14
5080-08	12	1/2"	3/4" - 16	3/4" - 16	35	32	24	19
5080-10	16	5/8"	7/8" - 14	7/8" - 14	41	37	27	22
5080-12	20	3/4"	1.1/16" - 12	1.1/16" - 12	44	42	32	27
5080-16	25	1"	1.5/16" - 12	1.5/16" - 12	51	46	38	33
5080-20	32	1.1/4"	1.5/8" - 12	1.5/8" - 12	58	52	50	41

5090 T con femmina girevole centrale

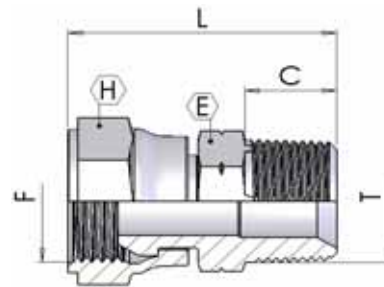
Female branch tee



part number	Ø tube		Dimensions					
	mm	inch	F	T	C	L	H	E
5090-04	6	1/4"	7/16" - 20	7/16" - 20	25	26	15	14
5090-05	8	5/16"	1/2" - 20	1/2" - 20	24	27	17	14
5090-06	10	3/8"	9/16" - 18	9/16" - 18	26	30	19	14
5090-08	12	1/2"	3/4" - 16	3/4" - 16	32	35	24	19
5090-10	16	5/8"	7/8" - 14	7/8" - 14	37	41	27	22
5090-12	20	3/4"	1.1/16" - 12	1.1/16" - 12	42	44	32	27
5090-16	25	1"	1.5/16" - 12	1.5/16" - 12	46	52	38	33
5090-20	32	1.1/4"	1.5/8" - 12	1.5/8" - 12	52	59	50	41

5260 Niplo maschio NPTF/femmina NPSM

Straight connector NPSM female X NPTF male

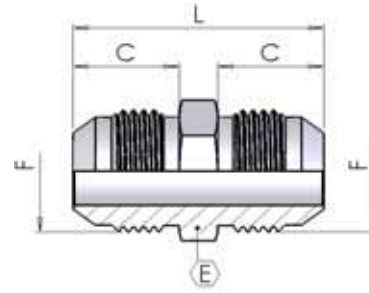


Filettatura / Thread:
NPT (ANSI/ASME B1.20.1-1983)

part number	Ø tube		Dimensions					
	mm	inch	F	T	C	L	H	E
5260-02	6	1/4"	1/8" - 28	1/8" - 28	10	28	14	13
5260-04	8	5/16"	1/4" - 18	1/4" - 18	14	36	19	15
5260-06	10	3/8"	3/8" - 18	3/8" - 18	14	39	22	19
5260-08	12	1/2"	1/2" - 14	1/2" - 14	19	48	27	27
5260-12	20	3/4"	3/4" - 14	3/4" - 14	19	53	32	32
5260-16	25	1"	1" - 11,5	1" - 11,5	24	61	38	36

1900 Nipplo maschio

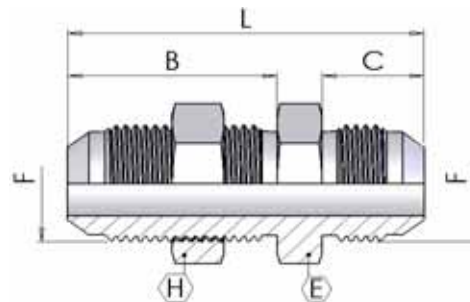
Male connector



part number	Ø tube		Dimensions			
	mm	inch	F	C	L	E
1900-04-04	6	1/4"	7/16" - 20	14	34	12
1900-05-05	8	5/16"	1/2" - 20	14	34	14
1900-06-06	10	3/8"	9/16" - 18	14	34	15
1900-08-08	12	1/2"	3/4" - 16	17	40	19
1900-10-10	16	5/8"	7/8" - 14	19	47	24
1900-12-12	20	3/4"	1.1/16" - 12	22	52	27
1900-16-16	25	1"	1.5/16" - 12	23	56	34
1900-20-20	32	1.1/4"	1.5/8" - 12	24	60	42
1900-24-24	38	1.1/2"	1.7/8" - 12	28	70	50
1900-32-32	50	2"	2.1/2" - 12	34	85	65

5110 Passaparete Diritto

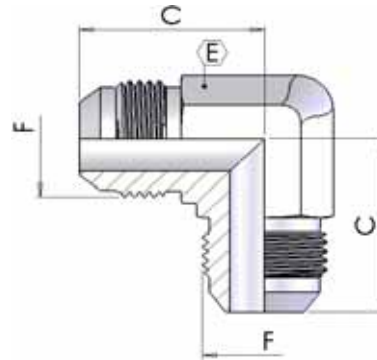
Straight Bulkhead Union



part number	Ø tube		Dimensions					
	mm	inch	F	L	C	B	H	E
5110-04	6	1/4"	7/16" - 20	53	14	31	17	13
5110-05	8	5/16"	1/2" - 20	53	14	31	19	14
5110-06	10	3/8"	9/16" - 18	55	14	33	22	16
5110-08	12	1/2"	3/4" - 16	62	17	37	24	19
5110-10	16	5/8"	7/8" - 14	70	19	41	30	24
5110-12	20	3/4"	1.1/16" - 12	79	22	45	36	27
5110-16	25	1"	1.5/16" - 12	80	23	45	41	36
5110-20	32	1.1/4"	1.5/8" - 12	84	24	47	50	46
5110-24	38	1.1/2"	1.7/8" - 12	89	28	47	55	50

5100 Gomito a 90° M/M

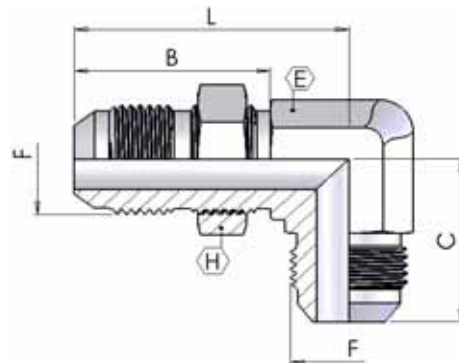
90° Elbow Union



part number	Ø tube		Dimensions		
	mm	inch	F	C	E
5100-04	6	1/4"	7/16" - 20	22	14
5100-05	8	5/16"	1/2" - 20	25	14
5100-06	10	3/8"	9/16" - 18	26	14
5100-08	12	1/2"	3/4" - 16	31	19
5100-10	16	5/8"	7/8" - 14	34	22
5100-12	20	3/4"	1.1/16" - 12	41	27
5100-16	25	1"	1.5/16" - 12	50	35
5100-20	32	1.1/4"	1.5/8" - 12	56	44
5100-24	38	1.1/2"	1.7/8" - 12	61	50
5100-32	50	2"	2.1/2" - 12	75	65

5130 Passaparete a 90°

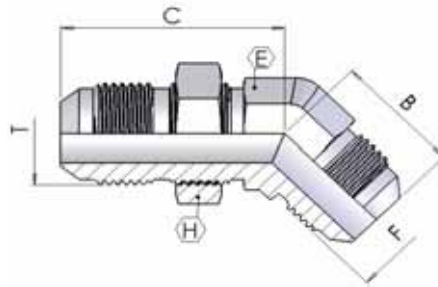
Bulkhead 90° Elbow Union



part number	Ø tube		Dimensions					
	mm	inch	F	C	L	B	H	E
5130-04	6	1/4"	7/16" - 20	25	41	28	17	11
5130-05	8	5/16"	1/2" - 20	27	44	28	19	14
5130-06	10	3/8"	9/16" - 18	28	46	30	22	14
5130-08	12	1/2"	3/4" - 16	35	54	35	24	19
5130-10	16	5/8"	7/8" - 14	40	61	39	30	22
5130-12	20	3/4"	1.1/16" - 12	45	68	43	36	27
5130-16	25	1"	1.5/16" - 12	50	71	43	41	33
5130-20	32	1.1/4"	1.5/8" - 12	55	79	44	50	41

5114 Passaparete a 45°

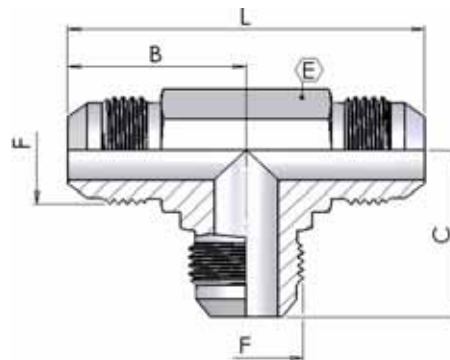
Bulkhead 45° Elbow Union



part number	Ø tube		Dimensions					
	mm	inch	F	T	B	C	H	E
5114-04	6	1/4"	7/16" - 20	7/16" - 20	19	39	17	14
5114-05	8	5/16"	1/2" - 20	1/2" - 20	19	42	19	14
5114-06	10	3/8"	9/16" - 18	9/16" - 18	21	43	22	14
5114-08	12	1/2"	3/4" - 16	3/4" - 16	25	49	24	19
5114-10	16	5/8"	7/8" - 14	7/8" - 14	28	55	30	22
5114-12	20	3/4"	1.1/16" - 12	1.1/16" - 12	33	62	36	27
5114-16	25	1"	1.5/16" - 12	1.5/16" - 12	38	65	41	33
5114-20	32	1-1/4"	1.5/8" - 12	1.5/8" - 12	41	67	50	41
5114-24	38	1-1/2"	1.7/8" - 12	1.7/8" - 12	45	68	55	48

5120 Unione a T

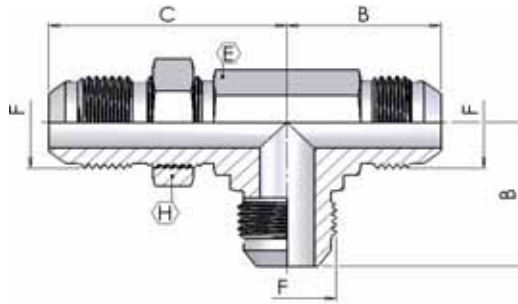
Union Tee



part number	Ø tube		Dimensions				
	mm	inch	F	C	L	B	E
5120-04	6	1/4"	7/16" - 20	26	52	26	14
5120-05	8	5/16"	1/2" - 20	24	48	24	14
5120-06	10	3/8"	9/16" - 18	26	52	26	14
5120-08	12	1/2"	3/4" - 16	32	64	32	19
5120-10	16	5/8"	7/8" - 14	32	64	32	22
5120-12	20	3/4"	1.1/16" - 12	42	84	42	27
5120-16	25	1"	1.5/16" - 12	46	92	46	35
5120-20	32	1.1/4"	1.5/8" - 12	52	104	52	44
5120-24	38	1.1/2"	1.7/8" - 12	59	118	59	50
5120-32	50	2"	2.1/2" - 12	78	156	78	65

5135 T con passaparete laterale

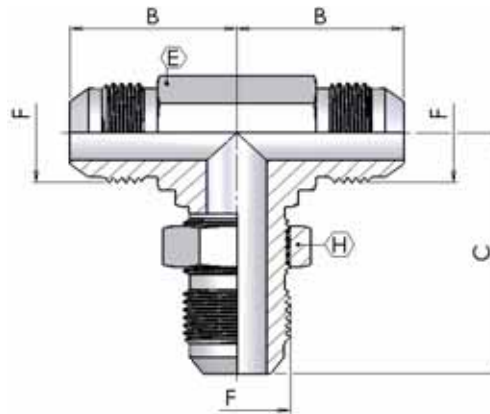
Bulkhead male run tee



part number	Ø tube		Dimensions				
	mm	inch	F	B	C	H	E
5135-04	6	1/4"	7/16" - 20	25	40	17	14
5135-05	8	5/16"	1/2" - 20	27	44	19	14
5135-06	10	3/8"	9/16" - 18	28	46	22	14
5135-08	12	1/2"	3/4" - 16	35	54	24	19
5135-10	16	5/8"	7/8" - 14	40	61	30	22
5135-12	20	3/4"	1.1/16" - 12	45	68	36	27
5135-16	25	1"	1.5/16" - 12	50	71	41	33
5135-20	32	1-1/4"	1.5/8" - 12	55	79	50	41
5135-24	38	1-1/2"	1.7/8" - 12	59	87	55	48

5137 T con passaparete centrale

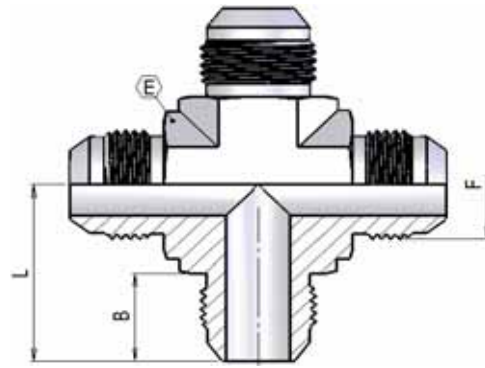
Bulkhead male Branch tee



part number	Ø tube		Dimensions				
	mm	inch	F	B	C	H	E
5137-04	6	1/4"	7/16" - 20	25	40	17	14
5137-05	8	5/16"	1/2" - 20	27	44	19	14
5137-06	10	3/8"	9/16" - 18	28	46	22	14
5137-08	12	1/2"	3/4" - 16	35	54	24	19
5137-10	16	5/8"	7/8" - 14	40	61	30	22
5137-12	20	3/4"	1.1/16" - 12	45	68	36	27
5137-16	25	1"	1.5/16" - 12	50	71	41	33
5137-20	32	1-1/4"	1.5/8" - 12	55	79	50	41
5137-24	38	1-1/2"	1.7/8" - 12	59	87	55	48

5900 Croce di Unione Jic

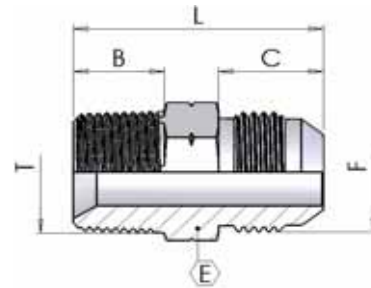
Union Cross JIC



part number	Ø tube		Dimensions					
	mm	inch	F		B	L		E
5900-04	6	1/4"	7/16" - 20		14	23	12	
5900-05	8	5/16"	1/2" - 20		14	24	14	
5900-06	10	3/8"	9/16" - 18		14	27	14	
5900-08	12	1/2"	3/4" - 16		17	32	19	
5900-10	16	5/8"	7/8" - 14		19	37	22	
5900-12	20	3/4"	1.1/16" - 12		22	42	27	
5900-16	25	1"	1.5/16" - 12		23	46	33	
5900-20	32	1-1/4"	1.5/8" - 12		24	52	41	
5900-24	38	1-1/2"	1.7/8" - 12		28	59	48	

1906 Nipplo maschio Jic/NPTF

Male connector NPTF male X JIC male



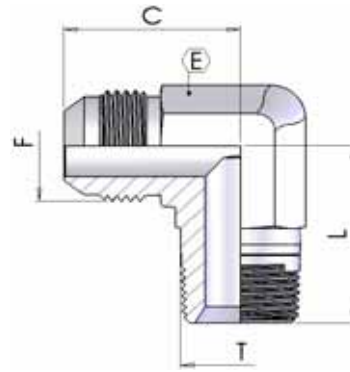
Filettatura / Thread:

NPT (ANSI/ASME B1.20.1-1983)

part number	Ø tube		Dimensions						
	mm	inch	F	T	C	L	B	E	
1906-02-04	6	1/4"	7/16" - 20	1/8"	14	30	10	12	
1906-02-05	8	5/16"	1/2" - 20	1/8"	14	31	10	14	
1906-02-06	10	3/8"	9/16" - 18	1/8"	14	30	10	15	
1906-04-04	6	1/4"	7/16" - 20	1/4"	14	35	14	15	
1906-04-05	8	5/16"	1/2" - 20	1/4"	14	35	14	15	
1906-04-06	10	3/8"	9/16" - 18	1/4"	14	36	14	15	
1906-06-06	10	3/8"	9/16" - 18	3/8"	14	36	14	19	
1906-06-08	12	1/2"	3/4" - 16	3/8"	17	39	14	19	
1906-06-10	16	5/8"	7/8" - 14	3/8"	19	43	14	24	
1906-08-04	6	1/4"	7/16" - 20	1/2"	14	41	19	22	
1906-08-06	10	3/8"	9/16" - 18	1/2"	14	41	19	22	
1906-08-08	12	1/2"	3/4" - 16	1/2"	17	44	19	22	
1906-08-10	16	5/8"	7/8" - 14	1/2"	19	48	19	24	
1906-08-12	20	3/4"	1.1/16" - 12	1/2"	22	49	19	27	
1906-12-08	12	1/2"	3/4" - 16	3/4"	17	45	19	27	
1906-12-10	16	5/8"	7/8" - 14	3/4"	19	50	19	27	
1906-12-12	20	3/4"	1.1/16" - 12	3/4"	22	52	19	27	
1906-12-16	25	1"	1.5/16" - 12	3/4"	23	52	19	34	
1906-16-12	20	3/4"	1.1/16" - 12	1"	22	56	24	36	
1906-16-16	25	1"	1.5/16" - 12	1"	23	58	24	36	
1906-16-20	32	1.1/4"	1.5/8" - 12	1"	24	62	24	46	
1906-20-20	32	1.1/4"	1.5/8" - 12	1.1/4"	24	62	25	46	
1906-24-24	38	1.1/2"	1.7/8" - 12	1.1/2"	28	66	25	50	
1906-32-32	50	2"	2.1/2" - 12	2"	34	78	26	65	

5140 Gomito 90° JIC/NPTF

90° connector JIC male X NPTF male



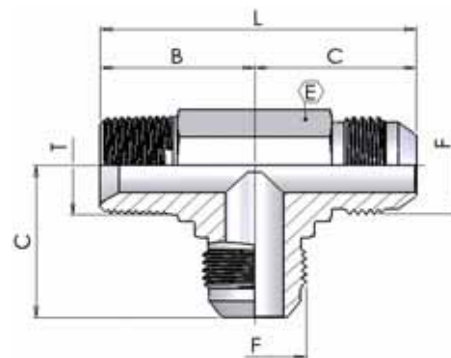
Filettatura / Thread:

NPT (ANSI/ASME B1.20.1-1983)

part number	Ø tube		Dimensions				
	mm	inch	F	T	C	L	E
5140-02-04	6	1/4"	7/16" - 20	1/8"	25	24	14
5140-02-05	8	5/16"	1/2" - 20	1/8"	26	24	14
5140-04-04	6	1/4"	7/16" - 20	1/4"	26	27	14
5140-04-05	8	5/16"	1/2" - 20	1/4"	26	27	14
5140-04-06	10	3/8"	9/16" - 18	1/4"	26	27	14
5140-06-06	10	3/8"	9/16" - 18	3/8"	28	32	19
5140-06-08	12	1/2"	3/4" - 16	3/8"	32	32	19
5140-06-10	14	5/8"	7/8" - 14	3/8"	34	36	22
5140-08-06	10	3/8"	9/16" - 18	1/2"	29	36	22
5140-08-08	12	1/2"	3/4" - 16	1/2"	34	36	22
5140-08-10	15	5/8"	7/8" - 14	1/2"	34	36	22
5140-08-12	18	3/4"	1.1/16" - 12	1/2"	40	42	27
5140-12-08	12	1/2"	3/4" - 16	3/4"	36	40	27
5140-12-10	16	5/8"	7/8" - 14	3/4"	39	43	27
5140-12-12	20	3/4"	1.1/16" - 12	3/4"	40	43	27
5140-12-16	25	1"	1.5/16" - 12	3/4"	42	42	33
5140-16-16	25	1"	1.5/16" - 12	1"	42	42	33
5140-16-20	32	1.1/4"	1.5/8" - 12	1"	56	57	44
5140-20-20	32	1.1/4"	1.5/8" - 12	1-1/4"	56	59	44
5140-24-24	38	1.1/2"	1.7/8" - 12	1-1/2"	62	62	50
5140-32-32	50	2"	2.1/2" - 12	2"	74	74	65

5160 T con maschio NPTF laterale

NPTF male Run Tee



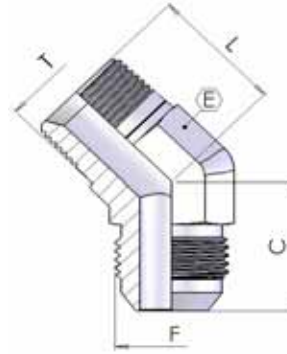
Filettatura / Thread:

NPT (ANSI/ASME B1.20.1-1983)

part number	Ø tube		Dimensions					
	mm	inch	F	T	C	L	B	E
5160-02-04	6	1/4"	7/16" - 20	1/8"	23	43	20	14
5160-04-04	6	1/4"	7/16" - 20	1/4"	26	52	26	14
5160-04-05	8	5/16"	1/2" - 20	1/4"	24	51	27	14
5160-04-06	10	3/8"	9/16" - 18	1/4"	27	55	28	14
5160-06-08	12	1/2"	3/4" - 16	3/8"	32	63	31	19
5160-08-10	16	5/8"	7/8" - 14	1/2"	37	74	37	22
5160-12-12	20	3/4"	1.1/16" - 12	3/4"	42	82	40	27
5160-16-16	25	1"	1.5/16" - 12	1"	46	92	45,5	32

5150 Gomito 45° JIC/NPTF

45° connector JIC male X NPTF male



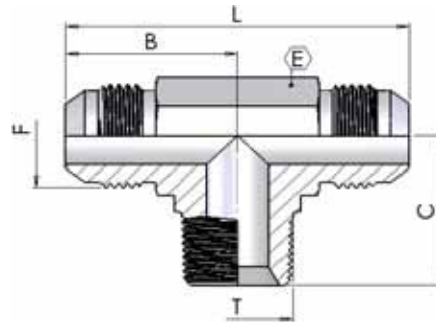
Filettatura / Thread:

NPT (ANSI/ASME B1.20.1-1983)

part number	Ø tube		Dimensions					
	mm	inch	F	T	C	L	E	
5150-02-04	6	1/4"	7/16" - 20	1/8"	20	18	14	
5150-02-05	8	5/16"	1/2" - 20	1/8"	22	20	14	
5150-04-04	6	1/4"	7/16" - 20	1/4"	21	20	14	
5150-04-05	8	5/16"	1/2" - 20	1/4"	20	20	14	
5150-04-06	10	3/8"	9/16" - 18	1/4"	22	23	19	
5150-06-06	10	3/8"	9/16" - 18	3/8"	22	23	19	
5150-06-08	12	1/2"	3/4" - 16	3/8"	27	23	22	
5150-06-10	14	5/8"	7/8" - 14	3/8"	29	23	22	
5150-08-06	10	3/8"	9/16" - 18	1/2"	22	28	22	
5150-08-08	12	1/2"	3/4" - 16	1/2"	27	28	22	
5150-08-10	15	5/8"	7/8" - 14	1/2"	32	32	27	
5150-08-12	18	3/4"	1.1/16" - 12	1/2"	35	32	27	
5150-12-08	12	1/2"	3/4" - 16	3/4"	30	32	27	
5150-12-10	16	5/8"	7/8" - 14	3/4"	29	29	27	
5150-12-12	20	3/4"	1.1/16" - 12	3/4"	33	32	27	
5150-12-16	25	1"	1.5/16" - 12	3/4"	29	29	35	
5150-16-16	25	1"	1.5/16" - 12	1"	37	38	35	
5150-16-20	32	1.1/4"	1.5/8" - 12	1"	42	43	44	
5150-20-20	32	1.1/4"	1.5/8" - 12	1-1/4"	42	43	44	
5150-24-24	38	1.1/2"	1.7/8" - 12	1-1/2"	44	43	50	
5150-32-32	50	2"	2.1/2" - 12	2"	53	52	65	70

5170 T con maschio NPTF centrale

NPTF male branch Tee



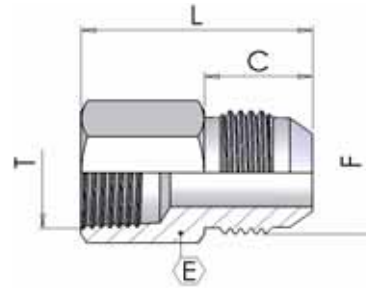
Filettatura / Thread:

NPT (ANSI/ASME B1.20.1-1983)

part number	Ø tube		Dimensions						
	mm	inch	F	T	C	L	B	E	
5170-02-04	6	1/4"	7/16" - 20	1/8"	20	46	23	14	
5170-04-04	6	1/4"	7/16" - 20	1/4"	26	52	26	14	
5170-04-05	8	5/16"	1/2" - 20	1/4"	26	52	26	14	
5170-04-06	10	3/8"	9/16" - 18	1/4"	28	54	27	14	
5170-06-08	12	1/2"	3/4" - 16	3/8"	31	64	32	19	
5170-08-10	16	5/8"	7/8" - 14	1/2"	37	74	37	22	
5170-12-12	20	3/4"	1.1/16" - 12	3/4"	40	84	42	27	
5170-16-16	25	1"	1.5/16" - 12	1"	50	92	46	35	

5180 Nipplo maschio JIC/femmina fissa NPTF

Connector NPTF female X JIC male



Filettatura / Thread:

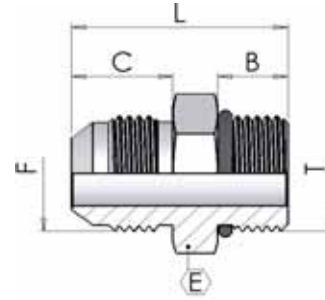
NPT (ANSI/ASME B1.20.1-1983)

part number	Ø tube		Dimensions					
	mm	inch	F	T	C	L	E	
5180-02-04	6	1/4"	7/16" - 20	1/8" - 27	14	30	14	
5180-02-05	8	5/16"	1/2" - 20	1/8" - 27	14	30	14	
5180-04-06	10	3/8"	9/16" - 18	1/4" - 18	14	35	19	
5180-06-06	10	3/8"	9/16" - 18	3/8" - 18	14	39	22	
5180-06-08	12	1/2"	3/4" - 16	3/8" - 14	17	39	22	
5180-08-10	16	5/8"	7/8" - 14	1/2" - 14	19	46	24	
5180-12-12	20	3/4"	1.1/16" - 12	3/4" - 14	22	51	27	
5180-16-16	25	1"	1.5/16" - 12	1" - 11.1/2	23	54	36	

1907 **Niplo maschio Jic/UNF**

Male connector JIC male X UNF straight thread

Filettatura / Thread:
UNF/UN (ISO 11926-1)

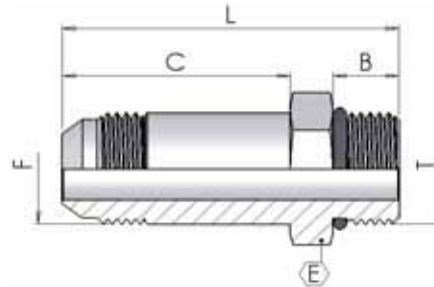


part number	Ø tube		Dimensions					
	mm	inch	F	T	C	L	B	E
1907-04-04	6	1/4"	7/16" - 20	7/16" - 20	14	31	9	14
1907-04-05	6	1/4"	7/16" - 20	1/2" - 20	14	31	9	17
1907-04-06	6	1/4"	7/16" - 20	9/16" - 18	14	32	10	17
1907-05-05	8	5/16"	1/2" - 20	1/2" - 20	14	31	9	17
1907-05-08	8	5/16"	1/2" - 20	3/4" - 14	14	35	11	22
1907-06-06	10	3/8"	9/16" - 18	9/16" - 18	14	33	10	17
1907-06-08	10	3/8"	9/16" - 18	3/4" - 14	14	35	11	22
1907-08-08	12	1/2"	3/4" - 14	3/4" - 14	17	38	11	22
1907-08-10	12	1/2"	3/4" - 14	7/8" - 14	17	39	13	27
1907-10-08	14	5/8"	7/8" - 14	3/4" - 14	19	38	11	24
1907-10-10	15	5/8"	7/8" - 14	7/8" - 14	19	43	13	27
1907-10-12	16	5/8"	7/8" - 14	1.1/16" - 12	19	47	15	32
1907-12-10	20	3/4"	1.1/16" - 12	7/8" - 14	22	46	13	27
1907-12-12	20	3/4"	1.1/16" - 12	1.1/16" - 12	22	50	15	32
1907-12-16	20	3/4"	1.1/16" - 12	1.5/16" - 12	22	51	15	38
1907-16-12	25	1"	1.5/16" - 12	1.1/16" - 12	23	51	15	34
1907-16-16	25	1"	1.5/16" - 12	1.5/16" - 12	23	52	15	38
1907-20-20	32	1.1/4"	1.5/8" - 12	1.5/8" - 12	24	55	15	50
1907-24-24	38	1.1/2"	1.7/8" - 12	1.7/8" - 12	28	60	15	55

5205 **Giunzione M/M Lunga Jic/UNF**

Long Male Connector Jic/UNF

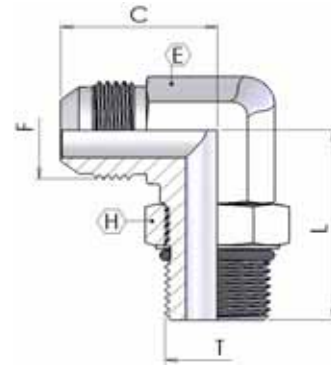
Filettatura / Thread:
UNF/UN (ISO 11926-1)



part number	Ø tube		Dimensions					
	mm	inch	F	T	L	B	C	E
5205-04-04	6	1/4"	7/16-20	7/16-20	53	9	36	14
5205-05-05	8	5/16"	1/2-20	1/2-20	54	9	37	16
5205-06-06	10	3/8"	9/16-18	9/16-18	59	10	40	17
5205-08-06	10	3/8"	9/16-18	3/4-16	60	11	40	22
5205-08-08	12	1/2"	3/4-16	3/4-16	68	11	48	22
5205-08-10	14-16	5/8"	7/8-14	3/4-16	75	11	53	24
5205-10-08	12	1/2"	3/4-16	7/8-14	72	13	48	27
5205-10-10	14-16	5/8"	7/8-14	7/8-14	77	13	53	27
5205-10-12	18-20	3/4"	1.1/16-12	7/8-14	89	13	64	27
5205-12-10	14-16	5/8"	7/8-14	1.1/16-12	81	15	53	32
5205-12-12	18-20	3/4"	1.1/16-12	1.1/16-12	92	15	64	32
5205-16-12	18-20	3/4"	1.1/16-12	1.5/16-12	93	15	64	35
5205-16-16	25	1"	1.5/16-12	1.5/16-12	101	15	72	35
5205-20-20	30-32	1.1/4"	1.5/8-12	1.5/8-12	119	15	88	50
5205-24-24	38	1.1/2"	1.7/8-12	1.7/8-12	131	15	99	55

5190 Gomito 90° orientabile JIC/UNF

90° elbow "adjustable" connector JIC male X UNF straight thread male

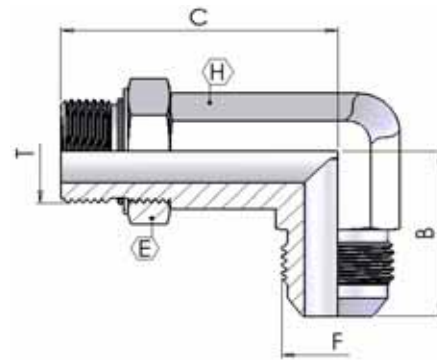


Filettatura / Thread:
UNF/UN (ISO 11926-1)

part number	Ø tube		Dimensions					
	mm	inch	F	T	C	L	H	E
5190-04	6	1/4"	7/16" - 20	7/16" - 20	24	26	14	11
5190-05	8	5/16"	1/2" - 20	1/2" - 20	26	32	17	14
5190-06	10	3/8"	9/16" - 18	9/16" - 18	26	32	17	14
5190-08	12	1/2"	3/4" - 16	3/4" - 16	31	37	22	19
5190-10	16	5/8"	7/8" - 14	7/8" - 14	35	43	25	22
5190-12	20	3/4"	1.1/16" - 12	1.1/16" - 12	41	49	32	27
5190-16	25	1"	1.5/16" - 12	1.5/16" - 12	47	52	38	35
5190-20	32	1.1/4"	1.5/8" - 12	1.5/8" - 12	57	57	48	43

5195 Gomito 90° Orientabile Lungo JIC/UNF

45° elbow "adjustable" connector JIC male X UNF straight thread male

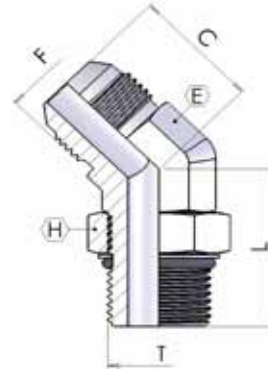


Filettatura / Thread:
UNF/UN (ISO 11926-1)

part number	Ø tube		Dimensions					
	mm	inch	F	T	B	C	E	H
5195-04-04	6	1/4"	7/16-20	7/16-20	23	46	14	12
5195-05-05	8	5/16"	1/2-20	1/2-20	24	50	16	14
5195-06-06	10	3/8"	9/16-18	9/16-18	27	57	17	14
5195-08-06	10	3/8"	9/16-18	3/4-16	29	67	22	19
5195-08-08	12	1/2"	3/4-16	3/4-16	32	67	22	19
5195-08-10	14-16	5/8"	7/8-14	3/4-16	37	75	22	22
5195-10-08	12	1/2"	3/4-16	7/8-14	34	78	27	22
5195-10-10	14-16	5/8"	7/8-14	7/8-14	37	78	27	22
5195-10-12	18-20	3/4"	1.1/16-12	7/8-14	42	88	27	27
5195-12-10	14-16	5/8"	7/8-14	1.1/16-12	40	92	32	27
5195-12-12	18-20	3/4"	1.1/16-12	1.1/16-12	42	92	32	27
5195-16-12	18-20	3/4"	1.1/16-12	1.5/16-12	45	105	41	33
5195-16-16	25	1"	1.5/16-12	1.5/16-12	46	105	41	33
5195-20-20	30-32	1.1/4"	1.5/8-12	1.5/8-12	52	124	50	41
5195-24-24	38	1.1/2"	1.7/8-12	1.7/8-12	59	135	55	48

5200 Gomito 45° orientabile JIC/UNF

45° elbow "adjustable" connector JIC male X UNF straight thread male

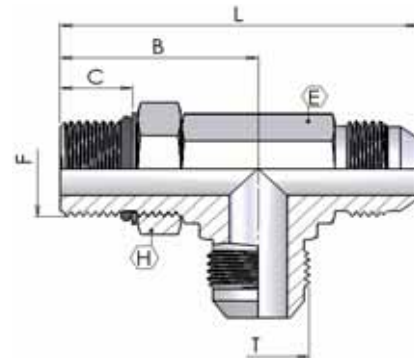


Filettatura / Thread:
UNF/UN (ISO 11926-1)

part number	Ø tube		Dimensions					
	mm	inch	F	T	C	L	H	E
5200-04	6	1/4"	7/16" - 20	7/16" - 20	19	27	14	11
5200-05	8	5/16"	1/2" - 20	1/2" - 20	22	29	17	14
5200-06	10	3/8"	9/16" - 18	9/16" - 18	22	29	17	14
5200-08	12	1/2"	3/4" - 16	3/4" - 16	26	33	22	19
5200-10	16	5/8"	7/8" - 14	7/8" - 14	30	39	25	22
5200-12	20	3/4"	1.1/16" - 12	1.1/16" - 12	35	44	32	27
5200-16	25	1"	1.5/16" - 12	1.5/16" - 12	39	47	38	35
5200-20	32	1.1/4"	1.5/8" - 12	1.5/8" - 12	40	49	48	43

5210 T con maschio UNF laterale orientabile

Adjustable UNF male run Tee

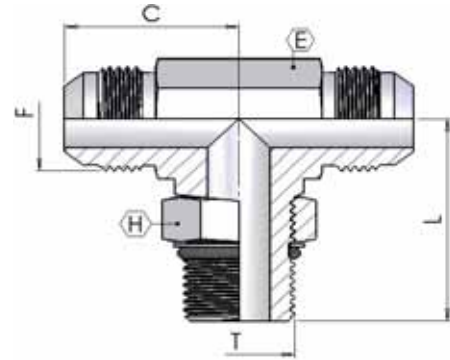


Filettatura / Thread:
UNF/UN (ISO 11926-1)

part number	Ø tube		Dimensions					
	mm	inch	F	T	C	L	B	E
5210-04	6	1/4"	7/16" - 20	7/16" - 20	10	49	26	11
5210-05	8	5/16"	1/2" - 20	1/2" - 20	11	52	28	13
5210-06	10	3/8"	9/16" - 18	9/16" - 18	11	59	32	14
5210-08	12	1/2"	3/4" - 16	3/4" - 16	13	69	37	19
5210-10	16	5/8"	7/8" - 14	7/8" - 14	14	80	43	22
5210-12	20	3/4"	1.1/16" - 12	1.1/16" - 12	17	91	49	27
5210-16	25	1"	1.5/16" - 12	1.5/16" - 12	17	98	52	33

5220 T con maschio UNF centrale orientabile

Adjustable UNF male branch Tee

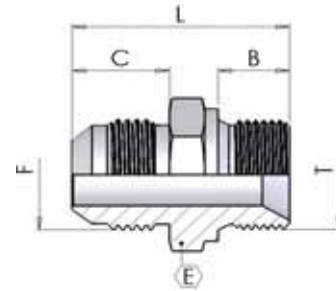


Filettatura / Thread:
UNF/UN (ISO 11926-1)

part number	Ø tube		Dimensions					
	mm	inch	F	T	C	L	H	E
5220-04	6	1/4"	7/16" - 20	7/16" - 20	23	26	14	11
5220-05	8	5/16"	1/2" - 20	1/2" - 20	24	28	16	13
5220-06	10	3/8"	9/16" - 18	9/16" - 18	27	32	17	14
5220-08	12	1/2"	3/4" - 16	3/4" - 16	32	37	22	19
5220-10	16	5/8"	7/8" - 14	7/8" - 14	37	43	27	22
5220-12	20	3/4"	1.1/16" - 12	1.1/16" - 12	42	49	32	27
5220-16	25	1"	1.5/16" - 12	1.5/16" - 12	46	52	38	33

1905 Nipplo maschio BSP/JIC

Connector BSP parallel thread male X JIC male

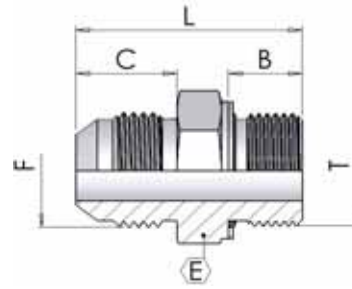


Filettatura / Thread:
BSPP (Form A DIN 3852)

part number	Ø tube		Dimensions					
	mm	inch	F	T	C	L	B	E
1905-02-04	6	1/4"	7/16" - 20	1/8"	14	29	8	14
1905-04-04	6	1/4"	7/16" - 20	1/4"	14	34	12	19
1905-04-05	8	5/16"	1/2" - 20	1/4"	14	34	12	19
1905-04-06	10	3/8"	9/16" - 18	1/4"	14	34	12	19
1905-06-05	8	5/16"	1/2" - 20	3/8"	14	36	12	22
1905-06-06	10	3/8"	9/16" - 18	3/8"	14	36	12	22
1905-06-08	12	1/2"	3/4" - 16	3/8"	17	38	12	22
1905-06-10	14	5/8"	7/8" - 14	3/8"	19	42	12	24
1905-08-06	10	3/8"	9/16" - 18	1/2"	14	39	14	27
1905-08-08	12	1/2"	3/4" - 16	1/2"	17	42	14	27
1905-08-10	15	5/8"	7/8" - 14	1/2"	19	44	14	27
1905-08-12	20	3/4"	1.1/16" - 12	1/2"	22	47	14	27
1905-10-10	14	5/8"	7/8" - 14	5/8"	19	46	16	30
1905-10-12	14	5/8"	1.1/16" - 12	5/8"	22	49	16	30
1905-12-10	14	5/8"	7/8" - 14	3/4"	19	46	16	32
1905-12-12	20	3/4"	1.1/16" - 12	3/4"	22	49	16	32
1905-12-16	25	1"	1.5/16" - 12	3/4"	23	52	16	34
1905-16-12	20	3/4"	1.1/16" - 12	1"	22	52	18	41
1905-16-16	25	1"	1.5/16" - 12	1"	23	54	18	41
1905-16-20	32	1.1/4"	1.5/8" - 12	1"	24	57	18	42
1905-20-20	32	1.1/4"	1.5/8" - 12	1.1/4"	24	58	20	50
1905-24-20	32	1.1/4"	1.5/8" - 12	1.1/2"	24	59	22	55
1905-24-24	38	1.1/2"	1.7/8" - 12	1.1/2"	28	63	22	55

1915 Giunzione M/M Jic/BSP O'Ring

Male Connector Jic/BSP O'Ring

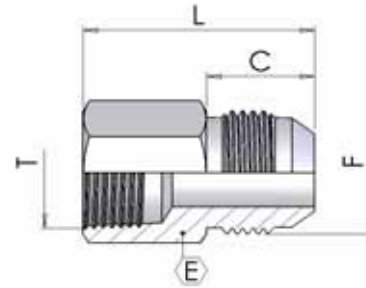


Filettatura / Thread:
BSPP (ISO 1179-3)

part number	Ø tube		Dimensions					
	mm	inch	F	T	L	B	C	E
1915-02-04	6	1/4"	7/16-20	1/8-28	29	8	14	14
1915-02-05	8	5/16"	1/2-20	1/8-28	29	8	14	16
1915-04-04	6	1/4"	7/16-20	1/4-19	35	12	14	19
1915-04-05	8	5/16"	1/2-20	1/4-19	35	12	14	19
1915-04-06	10	3/8"	9/16-18	1/4-19	35	12	14	19
1915-04-08	12	1/2"	3/4-16	1/4-19	38	12	17	22
1915-06-04	6	1/4"	7/16-20	3/8-19	35	12	14	24
1915-06-05	8	5/16"	1/2-20	3/8-19	35	12	14	24
1915-06-06	10	3/8"	9/16-18	3/8-19	35	12	14	24
1915-06-08	12	1/2"	3/4-16	3/8-19	38	12	17	24
1915-06-10	14-16	5/8"	7/8-14	3/8-19	41	12	20	24
1915-08-06	10	3/8"	9/16-18	1/2-14	38	14	14	27
1915-08-08	12	1/2"	3/4-16	1/2-14	41	14	17	27
1915-08-10	14-16	5/8"	7/8-14	1/2-14	44	14	20	27
1915-08-12	18-20	3/4"	1.1/16-12	1/2-14	47	14	22	27
1915-12-08	12	1/2"	3/4-16	3/4-11	45	16	17	36
1915-12-10	14-16	5/8"	7/8-14	3/4-11	48	16	20	36
1915-12-12	18-20	3/4"	1.1/16-12	3/4-11	50	16	22	36
1915-12-16	25	1"	1.5/16-12	3/4-11	51	16	23	36
1915-16-12	18-20	3/4"	1.1/16-12	1-11	53	18	22	41
1915-16-16	25	1"	1.5/16-12	1-11	54	18	23	41
1915-16-20	30-32	1.1/4"	1.5/8-12	1-11	56	18	25	42
1915-20-16	25	1"	1.5/16-12	1.1/4-11	57	20	23	50
1915-20-20	30-32	1.1/4"	1.5/8-12	1.1/4-11	59	20	25	50
1915-24-24	38	1.1/2"	1.7/8-12	1.1/2-11	66	22	28	60

5185 Nipplo maschio JIC/femmina fissa BSP

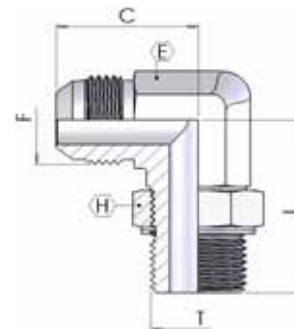
Connector BSP female X JIC male



part number	Ø tube		Dimensions					
	mm	inch	F	T	C	L	E	
5185-02-04	6	1/4"	7/16-20	1/8-28	14	28	19	
5185-02-05	8	5/16"	1/2-20	1/8-28	14	28	19	
5185-04-04	6	1/4"	7/16-20	1/4-19	14	31	19	
5185-04-05	8	5/16"	1/2-20	1/4-19	14	31	19	
5185-04-06	10	3/8"	9/16-18	1/4-19	14	31	22	
5185-04-08	12	1/2"	3/4-16	1/4-19	17	36	27	
5185-06-06	10	3/8"	9/16-18	3/8-19	14	36	22	
5185-06-08	12	1/2"	3/4-16	3/8-19	17	36	27	
5185-08-06	10	3/8"	9/16-18	1/2-14	14	41	22	
5185-08-08	12	1/2"	3/4-16	1/2-14	17	41	27	
5185-08-10	16	5/8"	7/8-14	1/2-14	20	42	32	
5185-08-12	20	3/4"	1.1/16-12	1/2-14	22	45	32	
5185-12-12	20	3/4"	1.1/16-12	3/4-11	22	48	32	
5185-16-16	25	1"	1.5/16-12	1-11	23	55	41	

5230 Gomito 90° orientabile JIC/BSP

90° elbow "adjustable" connector JIC male X BSP straight thread male



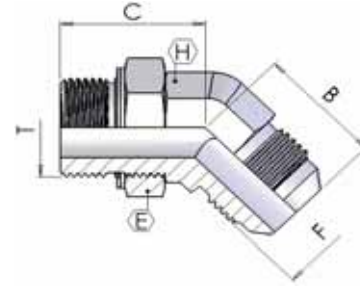
Filettatura / Thread:
BSPP (ISO 1179-3)

part number	Ø tube		Dimensions						
	mm	inch	F	T	C	L	H	E	
5230-02-04	6	1/4"	7/16" - 20	1/8"	23	26	14	11	
5230-04-04	6	1/4"	7/16" - 20	1/4"	24	32	19	14	
5230-04-05	8	5/16"	1/2" - 20	1/4"	24	33	19	14	
5230-04-06	10	3/8"	9/16" - 18	1/4"	27	32	19	14	
5230-06-06	10	3/8"	9/16" - 18	3/8"	29	37	22	19	
5230-06-08	12	1/2"	3/4" - 16	3/8"	32	37	22	19	
5230-06-10	14	5/8"	7/8" - 14	3/8"	37	43	22	22	
5230-08-08	12	1/2"	3/4" - 16	1/2"	34	43	27	22	
5230-08-10	15	5/8"	7/8" - 14	1/2"	37	43	27	22	
5230-08-12	20	3/4"	1.1/16" - 12	1/2"	42	47	27	27	
5230-12-10	16	5/8"	7/8" - 14	3/4"	37	50	36	27	
5230-12-12	20	3/4"	1.1/16" - 12	3/4"	42	50	36	27	
5230-16-16	25	1"	1.5/16" - 12	1"	46	52	41	33	
5230-20-20	32	1.1/4"	1.5/8" - 12	1.1/4"	52	57	50	41	
5230-24-24	38	1.1/2"	1.7/8" - 12	1.1/2"	59	61	55	48	

5235 Curva a 45° Orientabile JIC/BSP

Adjustable BSP male run Tee

Filettatura / Thread:
BSPP (ISO 1179-3)

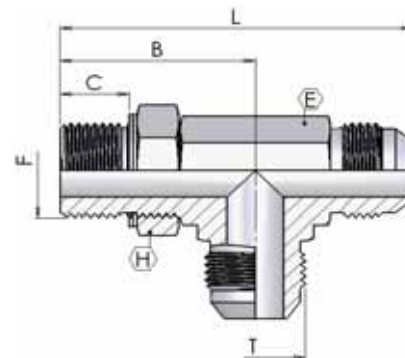


part number	Ø tube		Dimensions					
	mm	inch	F	T	B	C	H	E
5235-02-04	6	1/4"	7/16-20	1/8-28	19	27	14	12
5235-02-05	8	5/16"	1/2-20	1/8-28	20	27	14	14
5235-04-04	6	1/4"	7/16-20	1/4-19	21	29	19	14
5235-04-05	8	5/16"	1/2-20	1/4-19	21	29	19	14
5235-04-06	10	3/8"	9/16-18	1/4-19	21	29	19	14
5235-04-08	12	1/2"	3/4-16	1/4-19	25	30	19	19
5235-06-04	6	1/4"	7/16-20	3/8-19	21	33	24	19
5235-06-05	8	5/16"	1/2-20	3/8-19	21	33	24	19
5235-06-06	10	3/8"	9/16-18	3/8-19	22	33	24	19
5235-06-08	12	1/2"	3/4-16	3/8-19	25	33	24	19
5235-06-10	14-16	5/8"	7/8-14	3/8-19	28	35	24	22
5235-08-06	10	3/8"	9/16-18	1/2-14	23	39	27	22
5235-08-08	12	1/2"	3/4-16	1/2-14	25	39	27	22
5235-08-10	14-16	5/8"	7/8-14	1/2-14	28	39	27	22
5235-08-12	18-20	3/4"	1.1/16-12	1/2-14	33	41	27	27
5235-12-08	12	1/2"	3/4-16	3/4-11	28	44	36	27
5235-12-10	14-16	5/8"	7/8-14	3/4-11	30	44	36	27
5235-12-12	18-20	3/4"	1.1/16-12	3/4-11	33	44	36	27
5235-12-16	25	1"	1.5/16-12	3/4-11	37	47	36	33
5235-16-12	18-20	3/4"	1.1/16-12	1-11	36	47	41	33
5235-16-16	25	1"	1.5/16-12	1-11	37	47	41	33
5235-16-20	30-32	1.1/4"	1.5/8-12	1-11	41	49	41	41
5235-20-16	25	1"	1.5/16-12	1.1/4-11	39	49	50	41
5235-20-20	30-32	1.1/4"	1.5/8-12	1.1/4-11	41	49	50	41
5235-24-24	38	1.1/2"	1.7/8-12	1.1/2-11	45	49	60	48

5240 T con maschio BSP laterale orientabile

Adjustable BSP male run Tee

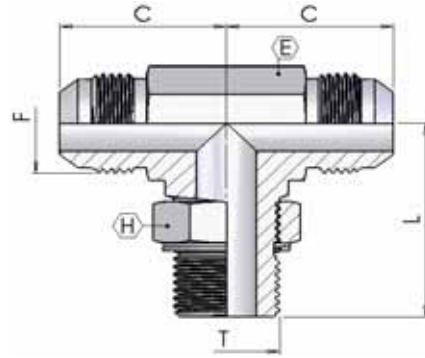
Filettatura / Thread:
BSPP (ISO 1179-3)



part number	Ø tube		Dimensions					
	mm	inch	T	F	C	L	B	E
5240-02-04	6	1/4"	7/16" - 20	1/8"	6	49	26	11
5240-04-05	8	5/16"	1/2" - 20	1/4"	11	56	32	14
5240-04-06	10	3/8"	9/16" - 18	1/4"	11	59	32	14
5240-06-06	10	3/8"	9/16" - 18	3/8"	11	64	37	19
5240-06-08	12	1/2"	3/4" - 16	3/8"	11	69	37	19
5240-08-10	16	5/8"	7/8" - 14	1/2"	13	80	43	22
5240-12-10	14-16	5/8"	7/8" - 14	3/4"	13	88	49,3	27
5240-12-12	20	3/4"	1.1/16" - 12	3/4"	13	92	50	27
5240-16-16	25	1"	1.5/16" - 12	1"	16	98	52	33

5250 T con maschio BSP centrale orientabile

Adjustable BSP male branch Tee

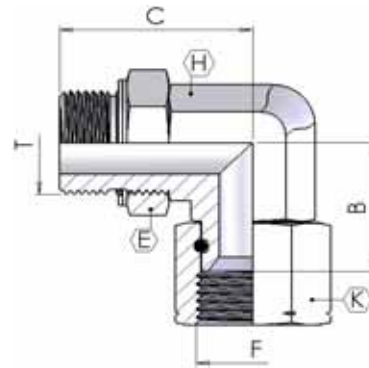


Filettatura / Thread:
BSPP (ISO 1179-3)

part number	Ø tube		Dimensions					
	mm	inch	F	T	C	L	H	E
5250-02-04	6	1/4"	7/16" - 20	1/8"	23	26	14	11
5250-04-05	8	5/16"	1/2" - 20	1/4"	24	32	19	14
5250-04-06	10	3/8"	9/16" - 18	1/4"	27	32	19	14
5250-06-06	10	3/8"	9/16" - 18	3/8"	27	37	22	19
5250-06-08	12	1/2"	3/4" - 16	3/8"	32	37	22	19
5250-08-08	12	1/2"	3/4" - 16	1/2"	34	43	27	22
5250-08-10	16	5/8"	7/8" - 14	1/2"	37	43	27	22
5250-12-12	20	3/4"	1.1/16" - 12	3/4"	42	50	36	27
5250-16-16	25	1"	1.5/16" - 12	1"	46	52	41	33

5255 Curva Orientabile con Femmina Girevole JIC/GAS

Adjustable Elbow with Swivel Nut JIC/BSP

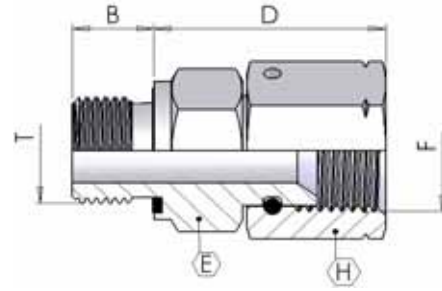


Filettatura / Thread:
BSPP (ISO 1179-3)

part number	Ø tube		Dimensions						
	mm	inch	F	T	B	C	E	H	K
5255-02-04	6	1/4"	7/16-20	1/8-28	18	26	14	12	17
5255-04-04	6	1/4"	7/16-20	1/4-19	18	32	19	14	17
5255-04-05	8	5/16"	1/2-20	1/4-19	19	32	19	14	17
5255-04-06	10	3/8"	9/16-18	1/4-19	23	32	19	14	19
5255-04-08	12	1/2"	3/4-16	1/4-19	24	35	19	19	24
5255-06-05	8	5/16"	1/2-20	3/8-19	22	37	22	19	17
5255-06-06	10	3/8"	9/16-18	3/8-19	23	37	22	19	19
5255-06-08	12	1/2"	3/4-16	3/8-19	25	37	22	19	24
5255-06-10	14-16	5/8"	7/8-14	3/8-19	26	40	22	22	27
5255-08-08	12	1/2"	3/4-16	1/2-14	27	43	27	22	24
5255-08-10	14-16	5/8"	7/8-14	1/2-14	29	43	27	22	27
5255-08-12	18-20	3/4"	1.1/16-12	1/2-14	31	46	27	27	32
5255-12-10	14-16	5/8"	7/8-14	3/4-11	29	55	36	27	27
5255-12-12	18-20	3/4"	1.1/16-12	3/4-11	31	55	36	27	32
5255-12-16	25	1"	1.5/16-12	3/4-11	36	58	36	33	41
5255-16-12	18-20	3/4"	1.1/16-12	1-11	36	60	41	33	32
5255-16-16	25	1"	1.5/16-12	1-11	38	60	41	33	41
5255-20-20	30-32	1.1/4"	1.5/8-12	1.1/4-11	46	62	50	42	50
5255-24-24	38	1.1/2"	1.7/8-12	1.1/2-11	53	65	55	48	55

5036 **Nipplo femmina girevole JIC / maschio BSP con guarnizione ED**

Connector swivel JIC female X BSP male with "ED" seal



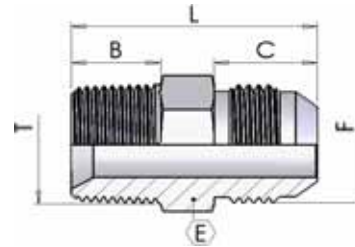
Filettatura / Thread:

BSPP (Form E DIN 3852)

part number	Ø tube		Dimensions					
	mm	inch	F	T	B	D	H	E
5036-02-04	6	1/4"	7/16"-20	1/8"	8	26	14	14
5036-02-05	8	5/16"	1/2"-20	1/8"	8	28	17	14
5036-04-04	6	1/4"	7/16"-20	1/4"	12	26	14	19
5036-04-05	8	5/16"	1/2"-20	1/4"	12	27	17	19
5036-04-06	10	3/8"	9/16"-18	1/4"	12	28	19	19
5036-04-08	12	1/2"	3/4"-16	1/4"	12	30	22	19
5036-06-04	6	1/4"	7/16"-20	3/8"	12	28	14	22
5036-06-05	8	5/16"	1/2"-20	3/8"	12	29	17	22
5036-06-06	10	3/8"	9/16"-18	3/8"	12	30	19	22
5036-06-08	12	1/2"	3/4"-16	3/8"	12	32	22	22
5036-06-10	16	5/8"	7/8"-14	3/8"	12	36	27	22
5036-08-06	10	3/8"	9/16"-18	1/2"	14	31	19	27
5036-08-08	12	1/2"	3/4"-16	1/2"	14	34	22	27
5036-08-10	16	5/8"	7/8"-14	1/2"	14	38	27	27
5036-08-12	20	3/4"	1.1/16"-12	1/2"	14	38	32	27
5036-12-10	16	5/8"	7/8"-14	3/4"	16	39	27	32
5036-12-12	20	3/4"	1.1/16"-12	3/4"	16	39	32	32
5036-12-16	25	1"	1.5/16"-12	3/4"	16	43	41	32
5036-16-12	20	3/4"	1.1/16"-12	1"	18	41	32	41
5036-16-16	25	1"	1.5/16"-12	1"	18	44	41	41
5036-16-20	32	1.1/4"	1.5/8"-12	1"	18	45	50	41
5036-20-16	25	1"	1.5/16"-12	1.1/4"	20	47	41	50
5036-20-20	32	1.1/4"	1.5/8"-12	1.1/4"	20	47	50	50
5036-20-24	32	1.1/4"	1.7/8"-12	1.1/4"	20	54	60	50
5036-24-24	38	1.1/2"	1.7/8"-12	1.1/2"	22	55	60	55

1903 Giunzione M/M Jic/Gas Conico

Male Connector Jic/BSPT



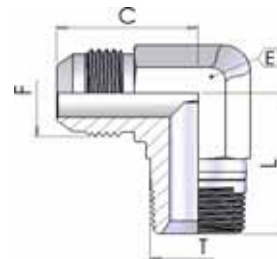
Filettatura / Thread:

BSPT (Form C DIN 3852)

part number	Ø tube		Dimensions					
	mm	inch	F	T	L	B	C	E
1903-02-04	6	1/4"	7/16-20	1/8-28	31	10	14	13
1903-02-05	8	5/16"	1/2-20	1/8-28	31	10	14	14
1903-04-04	6	1/4"	7/16-20	1/4-19	36	15	14	14
1903-04-05	8	5/16"	1/2-20	1/4-19	36	15	14	14
1903-04-06	10	3/8"	9/16-18	1/4-19	36	15	14	16
1903-04-08	12	1/2"	3/4-16	1/4-19	39	15	17	19
1903-06-06	10	3/8"	9/16-18	3/8-19	36	15	14	19
1903-06-08	12	1/2"	3/4-16	3/8-19	39	15	17	19
1903-06-10	14-16	5/8"	7/8-14	3/8-19	44	15	20	24
1903-08-08	12	1/2"	3/4-16	1/2-14	36	19	17	22
1903-08-10	14-16	5/8"	7/8-14	1/2-14	48	19	20	24
1903-08-12	18-20	3/4"	1.1/16-12	1/2-14	53	19	22	27
1903-12-10	14-16	5/8"	7/8-14	3/4-11	50	19	20	27
1903-12-12	18-20	3/4"	1.1/16-12	3/4-11	53	19	22	27
1903-12-16	25	1"	1.5/16-12	3/4-11	54	19	23	36
1903-16-12	18-20	3/4"	1.1/16-12	1-11	58	24	22	36
1903-16-16	25	1"	1.5/16-12	1-11	59	24	23	36
1903-16-20	30-32	1.1/4"	1.5/8-12	1-11	62	24	25	42
1903-20-20	30-32	1.1/4"	1.5/8-12	1.1/4-11	62	25	25	46
1903-20-24	38	1.1/2"	1.7/8-12	1.1/4-11	67	25	28	50
1903-24-24	38	1.1/2"	1.7/8-12	1.1/2-11	68	25	28	50

5165 Curva 90° M/M Jic/Gas Conico

Male 90° Elbow Jic/BSPT



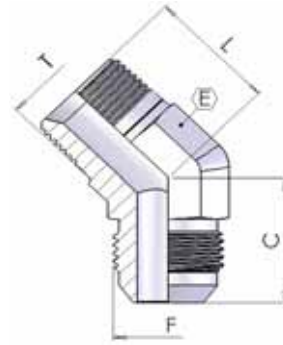
Filettatura / Thread:

BSPT (Form C DIN 3852)

part number	Ø tube		Dimensions				
	mm	inch	F	T	L	C	E
5165-02-04	6	1/4"	7/16"-20	1/8-28	20	23	12
5165-02-05	8	5/16"	1/2"-20	1/8-28	20	24	14
5165-04-04	6	1/4"	7/16"-20	1/4-19	28	27	14
5165-04-05	8	5/16"	1/2"-20	1/4-19	28	27	14
5165-04-06	10	3/8"	9/16"-18	1/4-19	28	27	14
5165-04-08	12	1/2"	3/4"-16	1/4-19	31	32	19
5165-06-06	10	3/8"	9/16"-18	3/8-19	31	29	14
5165-06-08	12	1/2"	3/4"-16	3/8-19	31	32	19
5165-06-10	14-16	5/8"	7/8"-14	3/8-19	33	37	22
5165-08-08	12	1/2"	3/4"-16	1/2-14	38	34	22
5165-08-10	14-16	5/8"	7/8"-14	1/2-14	38	37	22
5165-08-12	18-20	3/4"	1.1/16"-12	1/2-14	41	42	27
5165-12-10	14-16	5/8"	7/8"-14	3/4-11	41	40	27
5165-12-12	18-20	3/4"	1.1/16"-12	3/4-11	41	42	27
5165-12-16	25	1"	1.5/16"-12	3/4-11	45	46	33
5165-16-12	18-20	3/4"	1.1/16"-12	1-11	50	45	33
5165-16-16	25	1"	1.5/16"-12	1-11	50	46	33
5165-16-20	30-32	1.1/4"	1.5/8"-12	1-11	60	52	41
5165-20-20	30-32	1.1/4"	1.5/8"-12	1.1/4-11	61	52	41
5165-20-24	38	1.1/2"	1.7/8"-12	1.1/4-11	66	59	48
5165-24-24	38	1.1/2"	1.7/8"-12	1.1/2-11	67	59	48

5265 Curva 45° M/M Jic/Gas Conico

Male 45° Elbow Jic/BSPT

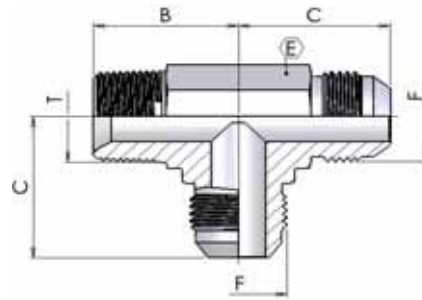


Filettatura / Thread:
BSPT (Form C DIN 3852)

part number	Ø tube		Dimensions					
	mm	inch	F	T	L	C	E	
5265-02-04	6	1/4"	7/16-20	1/8-28	17	19	12	
5265-02-05	8	5/16"	1/2-20	1/8-28	17	20	14	
5265-04-04	6	1/4"	7/16-20	1/4-19	22	21	14	
5265-04-05	8	5/16"	1/2-20	1/4-19	22	21	14	
5265-04-06	10	3/8"	9/16-18	1/4-19	22	21	14	
5265-04-08	12	1/2"	3/4-16	1/4-19	24	25	19	
5265-06-06	10	3/8"	9/16-18	3/8-19	24	22	14	
5265-06-08	12	1/2"	3/4-16	3/8-19	24	25	19	
5265-06-10	14-16	5/8"	7/8-14	3/8-19	25	28	22	
5265-08-08	12	1/2"	3/4-16	1/2-14	30	25	22	
5265-08-10	14-16	5/8"	7/8-14	1/2-14	30	28	22	
5265-08-12	18-20	3/4"	1.1/16-12	1/2-14	31	33	27	
5265-12-10	14-16	5/8"	7/8-14	3/4-11	31	30	27	
5265-12-12	18-20	3/4"	1.1/16-12	3/4-11	31	33	27	
5265-12-16	25	1"	1.5/16-12	3/4-11	33	37	33	
5265-16-12	18-20	3/4"	1.1/16-12	1-11	38	36	33	
5265-16-16	25	1"	1.5/16-12	1-11	38	37	33	
5265-16-20	30-32	1.1/4"	1.5/8-12	1-11	42	41	41	
5265-20-20	30-32	1.1/4"	1.5/8-12	1.1/4-11	43	41	41	
5265-20-24	38	1.1/2"	1.7/8-12	1.1/4-11	44	45	48	
5265-24-24	38	1.1/2"	1.7/8-12	1.1/2-11	45	45	48	

5275 T JIC con maschio BSPT laterale

Run Tee Jic/BSPT

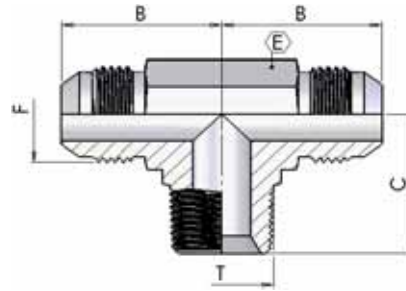


Filettatura / Thread:
BSPT (Form C DIN 3852)

part number	Ø tube		Dimensions					
	mm	inch	F	T	B	C	E	
5275-02-04	6	1/4"	7/16-20	1/8	23	20	12	
5275-02-05	8	5/16"	1/2-20	1/8	24	20	14	
5275-04-04	6	1/4"	7/16-20	1/4	27	28	14	
5275-04-05	8	5/16"	1/2-20	1/4	27	28	14	
5275-04-06	10	3/8"	9/16-18	1/4	27	28	14	
5275-04-08	12	1/2"	3/4-16	1/4	32	31	19	
5275-06-06	10	3/8"	9/16-18	3/8	29	31	14	
5275-06-08	12	1/2"	3/4-16	3/8	32	31	19	
5275-06-10	14-16	5/8"	7/8-14	3/8	37	33	22	
5275-08-08	12	1/2"	3/4-16	1/2	34	38	22	
5275-08-10	14-16	5/8"	7/8-14	1/2	37	38	22	
5275-08-12	18-20	3/4"	1.1/16-12	1/2	42	41	27	
5275-12-10	14-16	5/8"	7/8-14	3/4	40	41	27	
5275-12-12	18-20	3/4"	1.1/16-12	3/4	42	41	27	
5275-12-16	25	1"	1.5/16-12	3/4	46	45	33	
5275-16-12	18-20	3/4"	1.1/16-12	1	45	50	33	
5275-16-16	25	1"	1.5/16-12	1	46	50	33	
5275-16-20	30-32	1.1/4"	1.5/8-12	1	52	60	41	
5275-20-20	30-32	1.1/4"	1.5/8-12	1.1/4	52	61	41	
5275-20-24	38	1.1/2"	1.7/8-12	1.1/4	59	66	48	
5275-24-24	38	1.1/2"	1.7/8-12	1.1/2	59	67	48	

5280 T JIC con maschio BSPT centrale

Branch Tee Jic/BSPT



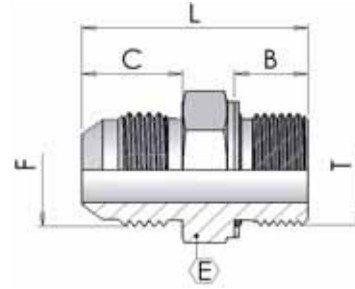
Filettatura / Thread:
BSPT (Form C DIN 3852)

part number	Ø tube		Dimensions					
	mm	inch	F	T	B	C	E	
5280-02-04	6	1/4"	7/16-20	1/8	23	20	12	
5280-02-05	8	5/16"	1/2-20	1/8	24	20	14	
5280-04-04	6	1/4"	7/16-20	1/4	27	28	14	
5280-04-05	8	5/16"	1/2-20	1/4	27	28	14	
5280-04-06	10	3/8"	9/16-18	1/4	27	28	14	
5280-04-08	12	1/2"	3/4-16	1/4	32	31	19	
5280-06-06	10	3/8"	9/16-18	3/8	29	31	14	
5280-06-08	12	1/2"	3/4-16	3/8	32	31	19	
5280-06-10	14-16	5/8"	7/8-14	3/8	37	33	22	
5280-08-08	12	1/2"	3/4-16	1/2	34	38	22	
5280-08-10	14-16	5/8"	7/8-14	1/2	37	38	22	
5280-08-12	18-20	3/4"	1.1/16-12	1/2	42	41	27	
5280-12-10	14-16	5/8"	7/8-14	3/4	40	41	27	
5280-12-12	18-20	3/4"	1.1/16-12	3/4	42	41	27	
5280-12-16	25	1"	1.5/16-12	3/4	46	45	33	
5280-16-12	18-20	3/4"	1.1/16-12	1	45	50	33	
5280-16-16	25	1"	1.5/16-12	1	46	50	33	
5280-16-20	30-32	1.1/4"	1.5/8-12	1	52	60	41	
5280-20-20	30-32	1.1/4"	1.5/8-12	1.1/4	52	61	41	
5280-20-24	38	1.1/2"	1.7/8-12	1.1/4	59	66	48	
5280-24-24	38	1.1/2"	1.7/8-12	1.1/2	59	67	48	

1777 Giunzione M/M Jic/Metrico DIN 3852-1

Male Connector Jic/Metric DIN 3852-1

Filettatura / Thread:
Metric Parallel

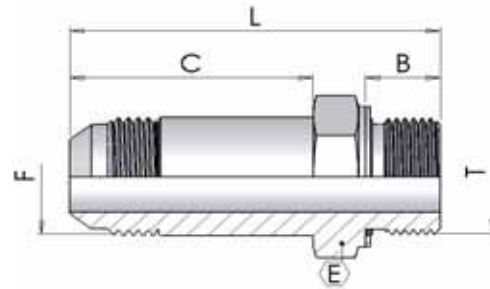


part number	Ø tube		Dimensions					
	mm	inch	F	T	L	B	C	E
1777-10-04	6	1/4"	7/16-20	M10x1	30	9	14	16
1777-10-05	8	5/16"	1/2-20	M10x1	30	9	14	16
1777-12-04	6	1/4"	7/16-20	M12x1,5	33	12	14	17
1777-12-05	8	5/16"	1/2-20	M12x1,5	33	12	14	17
1777-14-06	10	3/8"	9/16-18	M14x1,5	34	12	14	19
1777-16-06	10	3/8"	9/16-18	M16x1,5	35	13	14	22
1777-16-08	12	1/2"	3/4-16	M16x1,5	38	13	17	22
1777-18-08	12	1/2"	3/4-16	M18x1,5	40	14	17	24
1777-18-10	14-16	5/8"	7/8-14	M18x1,5	42	14	20	24
1777-22-10	14-16	5/8"	7/8-14	M22x1,5	45	15	20	30
1777-22-12	18-20	3/4"	1.1/16-12	M22x1,5	48	15	22	30
1777-27-12	18-20	3/4"	1.1/16-12	M27x2	53	19	22	36
1777-27-16	25	1"	1.5/16-12	M27x2	54	19	23	36
1777-33-16	25	1"	1.5/16-12	M33x2	54	19	23	41
1777-42-20	30	1.1/4"	1.5/8-12	M42x2	58	20	25	50
1777-48-24	38	1.1/2"	1.7/8-12	M48x2	65	22	28	60

5395 Giunzione M/M Lunga Jic/Metrico DIN 3852-1

Long Male Connector Jic/Metric DIN 3852-1

Filettatura / Thread:
Metric Parallel

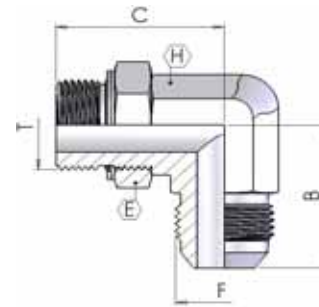


part number	Ø tube		Dimensions					
	mm	inch	F	T	L	B	C	E
5395-10-04	6	1/4"	7/16-20	M10x1	52	9	36	16
5395-10-05	8	5/16"	1/2-20	M10x1	53	9	37	16
5395-12-04	6	1/4"	7/16-20	M12x1,5	54	12	36	17
5395-12-05	8	5/16"	1/2-20	M12x1,5	56	12	37	17
5395-14-06	10	3/8"	9/16-18	M14x1,5	59	12	40	19
5395-16-06	10	3/8"	9/16-18	M16x1,5	60	13	40	22
5395-16-08	12	1/2"	3/4-16	M16x1,5	69	13	48	22
5395-18-08	12	1/2"	3/4-16	M18x1,5	71	14	48	24
5395-18-10	14-16	5/8"	7/8-14	M18x1,5	76	14	53	24
5395-22-10	14-16	5/8"	7/8-14	M22x1,5	78	15	53	30
5395-22-12	18-20	3/4"	1.1/16-12	M22x1,5	90	15	64	30
5395-27-12	18-20	3/4"	1.1/16-12	M27x2	94	19	64	36
5395-27-16	25	1"	1.5/16-12	M27x2	103	19	72	36
5395-33-16	25	1"	1.5/16-12	M33x2	103	19	72	41
5395-42-20	30	1.1/4"	1.5/8-12	M42x2	122	20	88	50
5395-48-24	38	1.1/2"	1.7/8-12	M48x2	136	22	99	60

**5400 Curva Orientabile JIC/Metrico
DIN 3852-1**

Adjustable Elbow JIC/Metric DIN 3852-1

Filettatura / Thread:
Metric Parallel

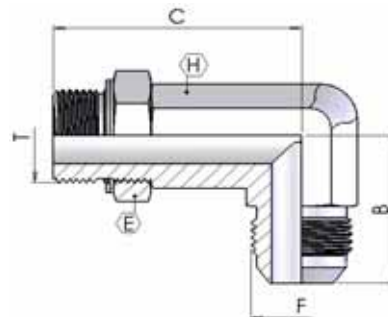


part number	Ø tube		Dimensions					
	mm	inch	F	T	B	C	H	E
5400-10-04	6	1/4"	7/16-20	M10x1	23	27	12	14
5400-10-05	8	5/16"	1/2-20	M10x1	24	27	14	14
5400-12-04	6	1/4"	7/16-20	M12x1,5	27	32	14	17
5400-12-05	8	5/16"	1/2-20	M12x1,5	27	32	14	17
5400-14-06	10	3/8"	9/16-18	M14x1,5	27	32	14	19
5400-16-06	10	3/8"	9/16-18	M16x1,5	29	38	19	22
5400-16-08	12	1/2"	3/4-16	M16x1,5	32	38	19	22
5400-18-08	12	1/2"	3/4-16	M18x1,5	32	40	19	24
5400-18-10	14-16	5/8"	7/8-14	M18x1,5	37	41	22	24
5400-22-10	14-16	5/8"	7/8-14	M22x1,5	37	43	22	27
5400-22-12	18-20	3/4"	1.1/16-12	M22x1,5	42	45	27	27
5400-27-12	18-20	3/4"	1.1/16-12	M27x2	42	52	27	36
5400-27-16	25	1"	1.5/16-12	M27x2	46	52	33	36
5400-33-16	25	1"	1.5/16-12	M33x2	46	53	33	41
5400-42-20	30	1.1/4"	1.5/8-12	M42x2	52	58	41	50
5400-48-24	38	1.1/2"	1.7/8-12	M48x2	59	67	48	60

**5405 Curva Orientabile Lunga
JIC/Metrico DIN 3852-1**

Long Adjustable Elbow JIC/Metric DIN 3852-1

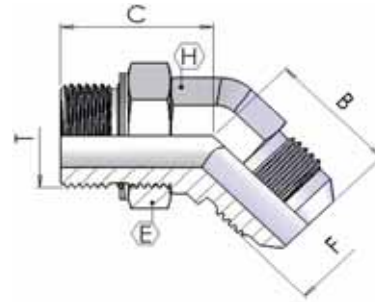
Filettatura / Thread:
Metric Parallel



part number	Ø tube		Dimensions					
	mm	inch	F	T	B	C	H	E
5405-10-04	6	1/4"	7/16-20	M10x1	23	46	12	14
5405-10-05	8	5/16"	1/2-20	M10x1	24	50	14	14
5405-12-04	6	1/4"	7/16-20	M12x1,5	27	54	14	17
5405-12-05	8	5/16"	1/2-20	M12x1,5	27	54	14	17
5405-14-06	10	3/8"	9/16-18	M14x1,5	27	57	14	19
5405-16-06	10	3/8"	9/16-18	M16x1,5	29	67	19	22
5405-16-08	12	1/2"	3/4-16	M16x1,5	32	67	19	22
5405-18-08	12	1/2"	3/4-16	M18x1,5	32	67	19	24
5405-18-10	14-16	5/8"	7/8-14	M18x1,5	37	75	22	24
5405-22-10	14-16	5/8"	7/8-14	M22x1,5	37	78	22	27
5405-22-12	18-20	3/4"	1.1/16-12	M22x1,5	42	88	27	27
5405-27-12	18-20	3/4"	1.1/16-12	M27x2	42	95	27	36
5405-27-16	25	1"	1.5/16-12	M27x2	46	105	33	36
5405-33-16	25	1"	1.5/16-12	M33x2	46	105	33	41
5405-42-20	30	1.1/4"	1.5/8-12	M42x2	52	124	41	50
5405-48-24	38	1.1/2"	1.7/8-12	M48x2	59	141	48	60

**5410 Curva a 45° Orientabile
JIC/Metrico DIN 3852-1**

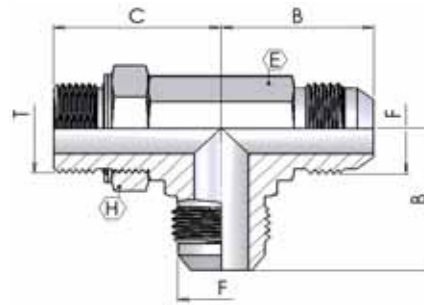
Adjustable 45° Elbow JIC/Metric DIN 3852-1



Filettatura / Thread:
Metric Parallel

part number	Ø tube		Dimensions						
	mm	inch	F	T	B	C	H	E	
5410-10-04	6	1/4"	7/16-20	M10x1	19	27	12	14	
5410-10-05	8	5/16"	1/2-20	M10x1	20	27	14	14	
5410-12-04	6	1/4"	7/16-20	M12x1,5	21	29	14	17	
5410-12-05	8	5/16"	1/2-20	M12x1,5	21	29	14	19	
5410-14-06	10	3/8"	9/16-18	M14x1,5	21	29	14	17	
5410-16-06	10	3/8"	9/16-18	M16x1,5	22	33	19	22	
5410-16-08	12	1/2"	3/4-16	M16x1,5	25	33	19	22	
5410-18-08	12	1/2"	3/4-16	M18x1,5	25	33	19	24	
5410-18-10	14-16	5/8"	7/8-14	M18x1,5	28	35	22	24	
5410-22-10	14-16	5/8"	7/8-14	M22x1,5	28	38	22	27	
5410-22-12	18-20	3/4"	1.1/16-12	M22x1,5	33	41	27	27	
5410-27-12	18-20	3/4"	1.1/16-12	M27x2	33	44	27	36	
5410-27-16	25	1"	1.5/16-12	M27x2	37	46	33	36	
5410-33-16	25	1"	1.5/16-12	M33x2	37	47	33	41	
5410-42-20	30	1.1/4"	1.5/8-12	M42x2	41	49	41	50	
5410-48-24	38	1.1/2"	1.7/8-12	M48x2	45	53	48	60	

5420 T JIC con maschio Metrico DIN 3852-1 laterale orientabile

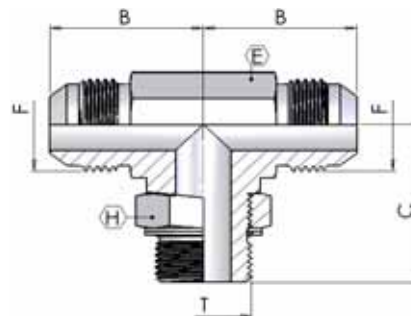


Adjustable Run Tee Metric DIN 3852-1/JIC

Filettatura / Thread:
Metric Parallel

part number	Ø tube		Dimensions					
	mm	inch	F	T	B	C	H	E
5420-10-04	6	1/4"	7/16-20	M10x1	23	27	12	14
5420-10-05	8	5/16"	1/2-20	M10x1	24	27	14	14
5420-12-04	6	1/4"	7/16-20	M12x1,5	27	32	14	17
5420-12-05	8	5/16"	1/2-20	M12x1,5	27	32	14	19
5420-14-06	10	3/8"	9/16-18	M14x1,5	27	32	14	17
5420-16-06	10	3/8"	9/16-18	M16x1,5	29	38	19	22
5420-16-08	12	1/2"	3/4-16	M16x1,5	32	38	19	22
5420-18-08	12	1/2"	3/4-16	M18x1,5	32	40	19	24
5420-18-10	14-16	5/8"	7/8-14	M18x1,5	37	41	22	24
5420-22-10	14-16	5/8"	7/8-14	M22x1,5	37	43	22	27
5420-22-12	18-20	3/4"	1.1/16-12	M22x1,5	42	45	27	27
5420-27-12	18-20	3/4"	1.1/16-12	M27x2	42	52	27	36
5420-27-16	25	1"	1.5/16-12	M27x2	46	52	33	36
5420-33-16	25	1"	1.5/16-12	M33x2	46	53	33	41
5420-42-20	30	1.1/4"	1.5/8-12	M42x2	52	58	41	50
5420-48-24	38	1.1/2"	1.7/8-12	M48x2	59	67	48	60

5425 T JIC con maschio Metrico DIN 3852-1 centrale orientabile



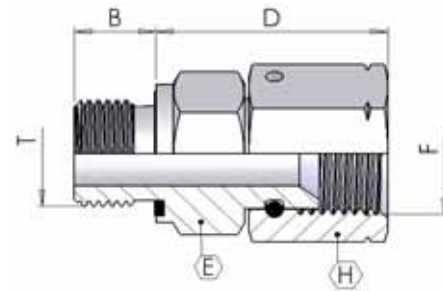
Adjustable Branch Tee Metric DIN 3852-1/JIC

Filettatura / Thread:
Metric Parallel

part number	Ø tube		Dimensions					
	mm	inch	F	T	B	C	H	E
5425-10-04	6	1/4"	7/16-20	M10x1	23	27	12	14
5425-10-05	8	5/16"	1/2-20	M10x1	24	27	14	14
5425-12-04	6	1/4"	7/16-20	M12x1,5	27	32	14	17
5425-12-05	8	5/16"	1/2-20	M12x1,5	27	32	14	19
5425-14-06	10	3/8"	9/16-18	M14x1,5	27	32	14	17
5425-16-06	10	3/8"	9/16-18	M16x1,5	29	38	19	22
5425-16-08	12	1/2"	3/4-16	M16x1,5	32	38	19	22
5425-18-08	12	1/2"	3/4-16	M18x1,5	32	40	19	24
5425-18-10	14-16	5/8"	7/8-14	M18x1,5	37	41	22	24
5425-22-10	14-16	5/8"	7/8-14	M22x1,5	37	43	22	27
5425-22-12	18-20	3/4"	1.1/16-12	M22x1,5	42	45	27	27
5425-27-12	18-20	3/4"	1.1/16-12	M27x2	42	52	27	36
5425-27-16	25	1"	1.5/16-12	M27x2	46	52	33	36
5425-33-16	25	1"	1.5/16-12	M33x2	46	53	33	41
5425-42-20	30	1.1/4"	1.5/8-12	M42x2	52	58	41	50
5425-48-24	38	1.1/2"	1.7/8-12	M48x2	59	67	48	60

5037 Niplo femmina girevole JIC / maschio Metrico con guarnizione ED

Connector swivel JIC female X Metric male with "ED" seal

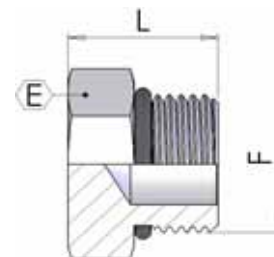


Filettatura / Thread:
BSPP (Form E DIN 3852)

part number	Ø tube		Dimensions					
	mm	inch	F	T	B	D	H	E
5037-10-04	6	1/4"	7/16"-20	M10x1	8	24,5	14	14
5037-10-05	8	5/16"	1/2"-20	M10x1	8	26,0	17	14
5037-12-04	6	1/4"	7/16"-20	M12x1,5	8	24,5	14	17
5037-12-05	8	5/16"	1/2"-20	M12x1,5	8	26,0	17	17
5037-14-05	8	5/16"	1/2"-20	M14x1,5	12	26,0	17	19
5037-14-06	10	3/8"	9/16"-18	M14x1,5	12	26,8	19	19
5037-16-06	10	3/8"	9/16"-18	M16x1,5	12	27,3	19	22
5037-16-08	12	1/2"	3/4"-16	M16x1,5	12	29,6	22	22
5037-18-08	12	1/2"	3/4"-16	M18x1,5	12	30,6	22	24
5037-18-10	16	5/8"	7/8"-14	M18x1,5	12	34,6	27	24
5037-20-10	16	5/8"	7/8"-14	M20x1,5	14	35,6	27	27
5037-22-10	16	5/8"	7/8"-14	M22x1,5	14	36,1	27	29
5037-22-12	20	3/4"	1.1/16"-12	M22x1,5	14	36,2	32	27
5037-27-12	20	3/4"	1.1/16"-12	M27x2	16	36,7	32	32
5037-27-16	25	1"	1.5/16"-12	M27x2	16	40,4	41	32
5037-33-16	25	1"	1.5/16"-12	M33x2	18	41,4	41	41
5037-42-20	32	1.1/4"	1.5/8"-12	M42x2	20	43,8	50	50
5037-48-24	38	1.1/2"	1.7/8"-12	M48x2	22	51,3	60	55

5040 Tappo maschio SAE

UNF male plug

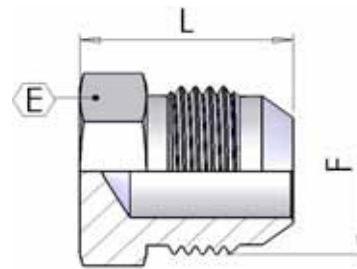


Filettatura / Thread:
UNF/UN (ISO 11926-1)

part number	Ø tube		Dimensions		
	mm	inch	F	L	E
5040-04			7/16" - 20	17	14
5040-05			1/2" - 20	17	14
5040-06			9/16" - 18	19	17
5040-08			3/4" - 16	21	22
5040-10			7/8" - 14	24	27
5040-12			1.1/16" - 12	27	32
5040-16			1.5/16" - 12	28	38

J605 Tappo maschio

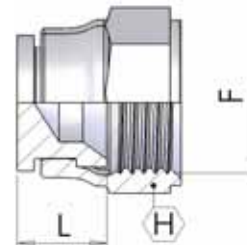
Male plug



part number	Ø tube		Dimensions		
	mm	inch	F	L	E
J605-04			7/16" - 20	22	12
J605-05			1/2" - 20	20	14
J605-06			9/16" - 18	22	15
J605-08			3/4" - 16	25	19
J605-10			7/8" - 14	27	24
J605-12			1.1/16" - 12	32	27
J605-14			1.3/16" - 12	33	32
J605-16			1.5/16" - 12	33	34
J605-20			1.5/8" - 12	36	46
J605-24			1.7/8" - 12	43	50

J608 Tappo femmina girevole

Female Plug Swivel



part number	Ø tube		Dimensions		
	mm	inch	F	L	H
J608-04			7/16" - 20	10	14
J608-05			1/2" - 20	10	17
J608-06			9/16" - 18	12	19
* SAE 45° J608-07			5/8" - 18	12	22
J608-08			3/4" - 16	13	24
J608-10			7/8" - 14	14	27
J608-12			1.1/16" - 12	16	32
J608-14			1.3/16" - 12	15	36
J608-16			1.5/16" - 12	17	41
J608-20			1.5/8" - 12	20	50
J608-24			1.7/8" - 12	23	55