



IMM.M.M.

Adattatori DIN 2353 serie francese / DIN 2353 french series adaptors

E



E

IMM Hy press

IMM Group



Adattatori DIN 2353 Serie Francese

Pagina / Page 2 2



Nut

Cutting rings

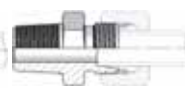
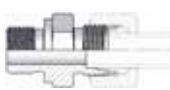
7400

Dado di serraggio

7410

Anellino tagliante

Pagina / Page 3 4 5



Male stud couplings

Male stud elbow

7430

Terminale diritto

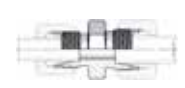
7450

Terminale diritto

7460

Terminale a gomito

Pagina / Page 6 6 7 7 8



Union

7500

Intermedio diritto

7510

Intermedio diritto ridotto

7520

Intermedio a gomito

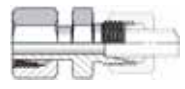
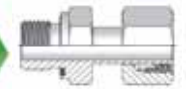
7000

Intermedio a T

7010

Intermedio a croce

Pagina / Page 9 9 10 10 11



Bulkhead Union

Standpipe Adaptors

7020

Passaparete Diritto

7130

Passaparete a 90°

7170

Bocchettone diritto premontato con o'r

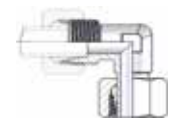
7175

Bocchettone diritto premontato

7210

Riduzione a codolo premontato

Pagina / Page 11 12



Swivel elbow

F stud coupling

7140

Girevole a gomito

7250

Terminale diritto femmina

Pagina / Page 13 13



Plug

Welding

7290

Tappo con O-Ring

7280

Ogiva a saldare con O-Ring

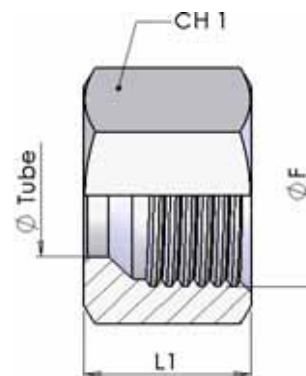
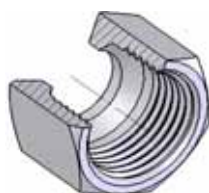
Dimensions and general characteristics may be changed at any time without prior notice.

Data contained herein are for information purpose only, and it does not enlarge, amend or imply any warranty other than provided by us with the product

Any use of the product not in conformance with our instructions may be dangerous.

7400 Dado di serraggio

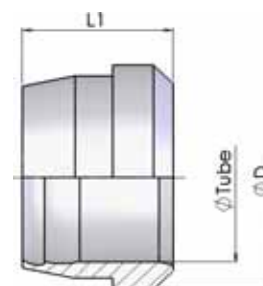
Nuts



PN	part number	Ø tube		Thread	Dimensions	
		mm	inch		CH1	L1
bar				F		
640	7400-13G	13,25	1/4"	20x1,5	24	18
400	7400-17G	16,75	3/8"	24x1,5	30	18
400	7400-21G	21,25	1/2"	30x1,5	36	20,5
320	7400-27G	26,75	3/4"	36x1,5	42	21,5
250	7400-34G	33,50	1"	45x1,5	55	23,5
160	7400-42G	42,25	1.1/4"	52x1,5	65	24,5

7410 Anellino tagliente

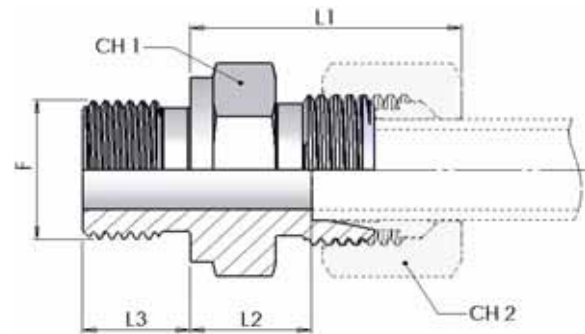
Cutting Rings



PN	part number	Ø tube		Dimensions
		mm	inch	
bar				L1
640	7410-13G	13,25	1/4"	10
400	7410-17G	16,75	3/8"	10
400	7410-21G	21,25	1/2"	10
320	7410-27G	26,75	3/4"	10,5
250	7410-34G	33,50	1"	10,5
160	7410-42G	42,25	1.1/4"	11,5

7430 Terminale diritto

Male Stud Couplings



Filettatura / Thread:

BSPP (UNI ISO 228)

PN	part number (body only)	Ø tube		Thread	Dimensions						
		mm	inch		F	CH1	CH2	L1	L2	L3	
640	7430-13GR-1	13,25	1/4"	1/4"	22	24	33	10,5	10		
	7430-13GR06-1			3/8"	22	24	34	12	10		
	7430-13GR08-1			1/2"	27	24	35	13	12		
400	7430-17GR-1	16,75	3/8"	3/8"	27	30	35	12	10		
	7430-17GR08-1			1/2"	27	30	36	13	12		
400	7430-21GR-1	21,25	1/2"	1/2"	32	36	39	15	12		
	7430-21GR12-1			3/4"	32	36	40	16,5	16		
320	7430-27GR-1	26,75	3/4"	3/4"	41	42	41	16,5	16		
	7430-27GR16-1			1"	46	42	43	18,5	16		
250	7430-34GR-1	33,50	1"	1"	46	55	45	20,5	16		
	7430-34GR20-1			1 1/4"	50	55	48	23	18		
160	7430-42GR-1	42,25	1.1/4"	1 1/4"	55	65	49	23	18		
	7430-42GR24-1			1 1/2"	60	65	49	23	18		

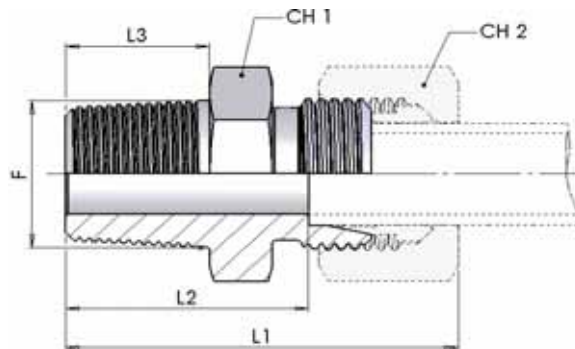
Filettatura / Thread:

Metrica Cilindrica / Metric Parallel (UNI 4535-64)

PN	part number (body only)	Ø tube		Thread	Dimensions						
		mm	inch		F	CH1	CH2	L1	L2	L3	
640	7430-13GM16-1	13,25	1/4"	16x1,5	22	24	34	12	10		
	7430-13GM18-1			18x1,5	24	24	35	12,5	12		
400	7430-17GM18-1	16,75	3/8"	18x1,5	27	30	35	12,5	12		
	7430-17GM20-1			20x1,5	27	30	36	12,5	12		
	7430-17GM22-1			22x1,5	32	30	36	13	14		

7450 Terminale diritto

Male Stud Couplings



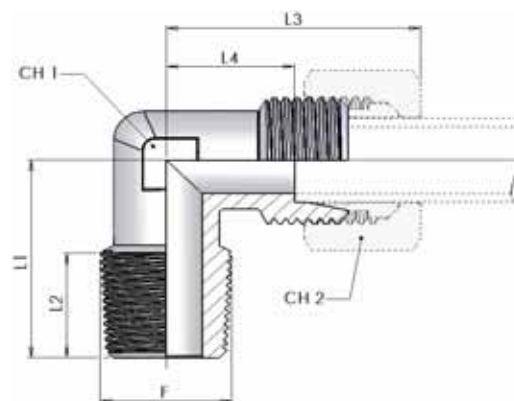
Filettatura / Thread:

BSPT (UNI ISO 7/1)

PN	part number (body only)	Ø tube		Thread	Dimensions					
		mm	inch		F	CH1	CH2	L1	L2	L3
640	7450-13GK-1	13,25	1/4"	1/4"	22	24	34,5	22,5	12,5	
	7450-13GK06-1			3/8"	22	24	35	22,5	13	
	7450-13GK08-1			1/2"	22	24	39	27,5	17	
400	7450-17GK04-1	16,75	3/8"	1/4"	27	30	35,5	23,5	12,5	
	7450-17GK-1			3/8"	27	30	36	23,5	13	
	7450-17GK08-1			1/2"	27	30	40	28	17	
400	7450-21GK-1	21,25	1/2"	1/2"	32	36	41	31	17	
	7450-21GK12-1			3/4"	32	36	42	32	18	
320	7450-27GK08-1	26,75	3/4"	1/2"	41	42	42	32	17	
	7450-27GK-1			3/4"	41	42	43	33	18	
	7450-27GK16-1			1"	41	42	46,5	36	21,5	
250	7450-34GK-1	33,50	1"	1"	46	55	46,5	40	21,5	
	7450-34GK20-1			1 1/4"	46	55	49	42,5	24	
160	7450-42GK-1	42,25	1.1/4"	1 1/4"	55	65	50	44,5	24	
	7450-42GK24-1			1 1/2"	55	65	50	44,5	24	

7460 Terminale a gomito

Stud Elbows



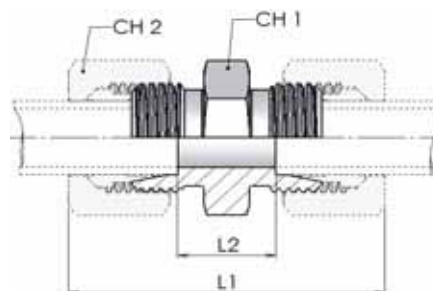
Filettatura / Thread:

BSPT (UNI ISO 7/1)

PN	part number (body only)	Ø tube		Thread	Dimensions						
		mm	inch		F	CH1	CH2	L1	L2	L3	L4
640	7460-13GK-1	13,25	1/4"	1/4"	19	24	30	12,5	41	18,5	
	7460-13GK06-1			3/8"	19	24	30	13	41	18,5	
	7460-13GK08-1			1/2"	24	24	34	17	40	18	
400	7460-17GK04-1	16,75	3/8"	1/4"	24	30	31	12,5	45	21,5	
	7460-17GK-1			3/8"	24	30	31	13	45	21,5	
	7460-17GK08-1			1/2"	24	30	34	17	45	21,5	
400	7460-21GK-1	21,25	1/2"	1/2"	27	36	38	17	50	26,5	
	7460-21GK12-1			3/4"	27	36	42	18	50	26,5	
320	7460-27GK-1	26,75	3/4"	3/4"	36	42	46	18	54	29,5	
	7460-27GK16-1			1"	36	42	48	19,5	54	29,5	
250	7460-34GK-1	33,50	1"	1"	41	55	54	21	62	37	
	7460-34GK20-1			1 1/4"	41	55	54	22	62	37	
160	7460-42GK-1	42,25	1.1/4"	1 1/4"	50	65	61	23,5	69	43	

7500 Intermedio diritto

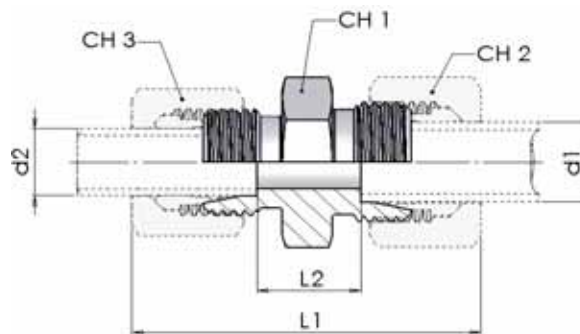
Straight couplings



PN	part number (body only)	Ø tube		Dimensions									
		mm	inch	CH1	CH2	L1	L2						
bar													
640	7500-13G-1	13,25	1/4"		22	24	58	13					
400	7500-17G-1	16,75	3/8"		27	30	61	14					
400	7500-21G-1	21,25	1/2"		32	36	67	19					
320	7500-27G-1	26,75	3/4"		41	42	70	20					
250	7500-34G-1	33,50	1"		46	55	76	26					
160	7500-42G-1	42,25	1.1/4"		55	65	79	28					

7510 Intermedio diritto ridotto

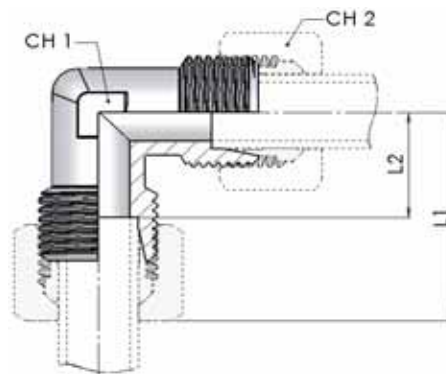
Reduced Straight couplings



PN	part number (body only)	Ø tube d1		Ø tube d2		Dimensions								
		mm	inch	mm	inch	CH1	CH2	CH3	L1	L2				
400	7510-17/13G-1	16,75	3/8"	13,25	1/4"	27	30	24	60	14				
400	7510-21/13G-1	21,25	1/2"	13,25	1/4"	32	36	24	63	17				
	7510-21/17G-1			16,75	3/8"	32	36	30	64	17				

7520 Intermedio a gomito

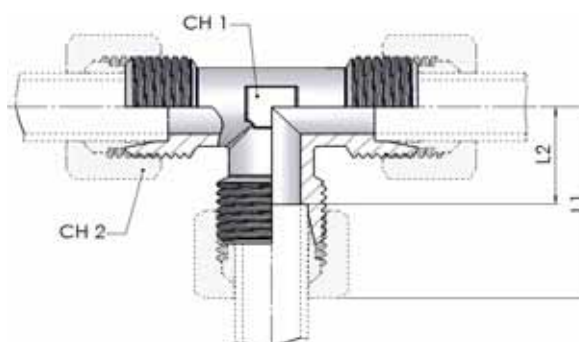
Equal Elbows



PN	part number (body only)	Ø tube		Dimensions							
		mm	inch	CH1	CH2	L1	L2				
640	7520-13G-1	13,25	1/4"	19	24	41	18,5				
400	7520-17G-1	16,75	3/8"	24	30	45	21,5				
400	7520-21G-1	21,25	1/2"	27	36	50	26,5				
320	7520-27G-1	26,75	3/4"	36	42	54	29,5				
250	7520-34G-1	33,50	1"	41	55	62	37				
160	7520-42G-1	42,25	1.1/4"	50	65	69	43				

7000 Intermedio a 'T'

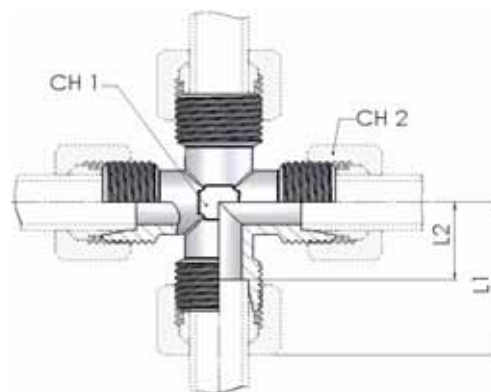
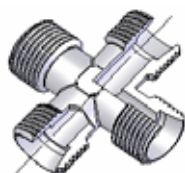
Equal Tees



PN	part number (body only)	Ø tube		Dimensions							
		mm	inch	CH1	CH2	L1	L2				
640	7000-13G-1	13,25	1/4"	19	24	41	18,5				
400	7000-17G-1	16,75	3/8"	24	30	45	21,5				
400	7000-21G-1	21,25	1/2"	27	36	50	26,5				
320	7000-27G-1	26,75	3/4"	36	42	54	29,5				
250	7000-34G-1	33,50	1"	41	55	62	37				
160	7000-42G-1	42,25	1.1/4"	50	65	69	43				

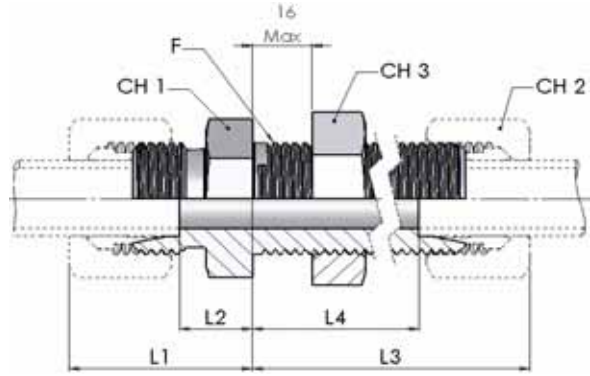
7010 Intermedio a croce

Equal Crosses



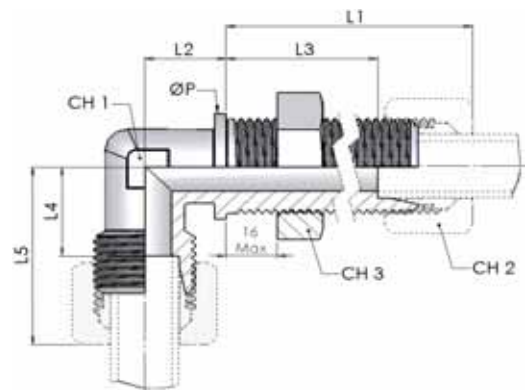
PN	part number (body only)	Ø tube		Dimensions							
		mm	inch	CH1	CH2	L1	L2				
640	7010-13G-1	13,25	1/4"	19	24	41	18,5				
400	7010-17G-1	16,75	3/8"	24	30	45	21,5				
400	7010-21G-1	21,25	1/2"	27	36	50	26,5				
320	7010-27G-1	26,75	3/4"	36	42	54	29,5				
250	7010-34G-1	33,50	1"	41	55	62	37				
160	7010-42G-1	42,25	1.1/4"	50	65	69	43				

7020 Passaparete Dritto
Straight Bulkhead Union



PN	part number (body only)	Ø tube		Thread	Dimensions						
		mm	inch		F	CH1	CH2	CH3	L1	L2	L3
640	7020-13G-1	13,25	1/4"	20x1,5	27	24	27	32	10	47	25
400	7020-17G-1	16,75	3/8"	24x1,5	32	30	32	34	11	49	26
400	7020-21G-1	21,25	1/2"	30x1,5	36	36	41	37	13	52	28
320	7020-27G-1	26,75	3/4"	36x1,5	46	42	46	40	15	54	29
250	7020-34G-1	33,50	1"	45x1,5	55	55	55	44	19	58	33
160	7020-42G-1	42,25	1.1/4"	52x1,5	65	65	65	46	20	60	34

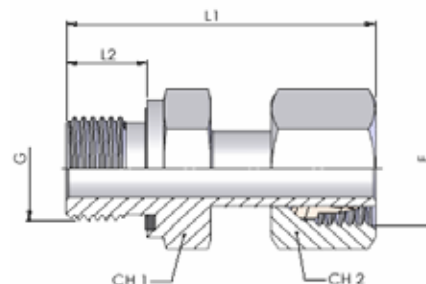
7130 Passaparete a 90°
Bulkhead 90° Elbow Union



PN	part number (body only)	Ø tube		Dimensions								
		mm	inch	CH1	CH2	CH3	L1	L2	L3	L4	L5	ØP
640	7130-13G-1	13,25	1/4"	19	24	27	51	23	29	20	42	27
400	7130-17G-1	16,75	3/8"	24	30	32	54	24	31	23	46	30
400	7130-21G-1	21,25	1/2"	27	36	41	59	30	35	28	52	36
320	7130-27G-1	26,75	3/4"	36	42	46	63	34	38	31	56	42
250	7130-34G-1	33,50	1"	41	55	55	63	39	38	37	62	50

7170 Bocchettone diritto premontato con o'r

Stud /Standpipe Adaptors

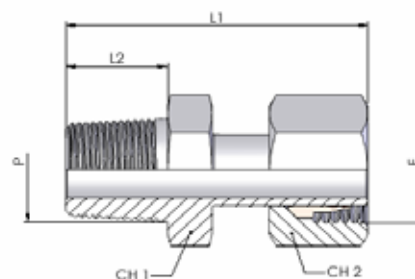


Filettatura / Thread:
BSPP (Form E DIN 3852)

PN	part number	Ø tube		Thread		Dimensions				
		mm	inch	G	F	CH1	CH2	L1	L2	
640	7170-13GR	13,25	1/4"	1/4"	20 x 1,5	17	24	39,5	10	
	7170-13GR06			3/8"	20 x 1,5	22	24	41	10	
	7170-13GR08			1/2"	20 x 1,5	27	24	44	12	
400	7170-17GR	16,75	3/8"	3/8"	24 x 1,5	22	30	43	10	
	7170-17GR08			1/2"	24 x 1,5	27	30	46	12	
400	7170-21GR	21,25	1/2"	1/2"	30 x 1,5	27	36	48	12	
	7170-21GR12			3/4"	30 x 1,5	32	36	53,5	16	
320	7170-27GR	26,75	3/4"	3/4"	36 x 1,5	32	42	53,5	16	
	7170-27GR16			1"	36 x 1,5	46	42	55,5	16	
250	7170-34GR	33,50	1"	1"	45 x 1,5	46	55	56,5	16	
	7170-34GR20			1 1/4"	45 x 1,5	50	55	61	18	
160	7170-42GR	42,25	1.1/4"	1 1/4"	52 x 1,5	50	65	62	18	
	7170-42GR24			1 1/2"	52 x 1,5	60	65	62	18	

7175 Bocchettone diritto premontato

Stud /Standpipe Adaptors

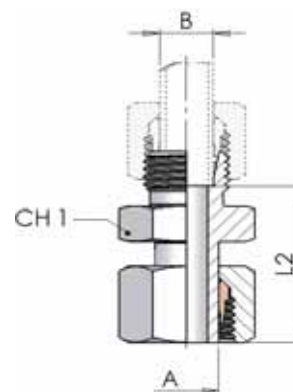


Filettatura / Thread:
BSPT (UNI ISO 7/1)

PN	part number	Ø tube		Thread		Dimensions				
		mm	inch	P	F	CH1	CH2	L1	L2	
640	7175-13GK	13,25	1/4"	1/4"	20 x 1,5	14	24	40	12,5	
	7175-13GK06			3/8"	20 x 1,5	19	24	41	13	
	7175-13GK08			1/2"	20 x 1,5	22	24	46	17	
400	7175-17GK	16,75	3/8"	3/8"	24 x 1,5	19	30	43	13	
	7175-17GK08			1/2"	24 x 1,5	22	30	48	17	
400	7175-21GK	21,25	1/2"	1/2"	30 x 1,5	24	36	50	17	
	7175-21GK12			3/4"	30 x 1,5	27	36	52	18	
320	7175-27GK	26,75	3/4"	3/4"	36 x 1,5	30	42	52	18	
	7175-27GK16			1"	36 x 1,5	36	42	57,5	21,5	

7210 Riduzione a codolo premontato

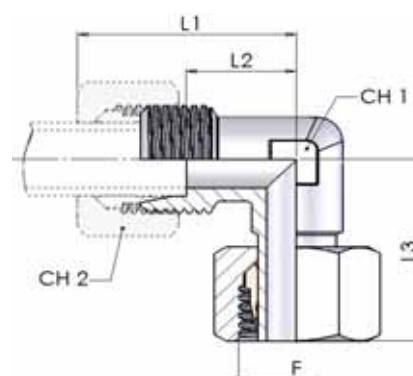
Standpipe/Tube Reducers



PN	part number (body only)	Ø tube A		Ø tube B		Dimensions							
		mm	inch	mm	inch	CH1	L2						
bar													
400	7210-17/13G-1	16,75	3/8"	13,25	1/4"	22	34						
400	7210-21/13G-1	21,25	1/2"	13,25	1/4"	22	36						
	7210-21/17G-1			16,75	3/8"	27	37						
320	7210-27/13G-1	26,75	3/4"	13,25	1/4"	30	36						
	7210-27/17G-1			16,75	3/8"	30	37						
	7210-27/21G-1			21,25	1/2"	32	40						
250	7210-34/17G-1	33,50	1"	16,75	3/8"	36	38						
	7210-34/21G-1			21,25	1/2"	36	41						
	7210-34/27G-1			26,75	3/4"	41	42						
160	7210-42/21G-1	42,25	1.1/4"	21,25	1/2"	46	42						
	7210-42/27G-1			26,75	3/4"	46	43						
	7210-42/34G-1			33,50	1"	46	47						

7140 Girevole a gomito

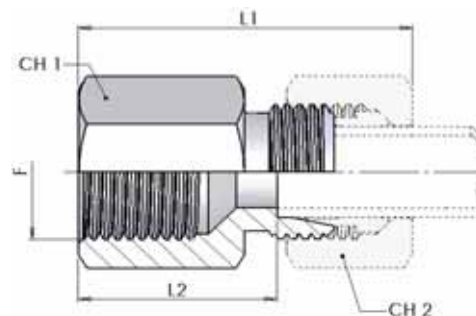
Angular rotary fitting



PN	part number (body only)	Ø tube		Thread	Dimensions							
		mm	inch	F	CH1	CH2	L1	L2	L3			
640	7140-13G-1	13,25	1/4"	20x1,5	19	24	41	18,5	35,5			
400	7140-17G-1	16,75	3/8"	24x1,5	24	30	45	21,5	37,5			
400	7140-21G-1	21,25	1/2"	30x1,5	27	36	50	26,5	45			
320	7140-27G-1	26,75	3/4"	36x1,5	36	42	54	29,5	49			
250	7140-34G-1	33,50	1"	45x1,5	41	55	62	37	54			

7250 Terminale diritto femmina

Female Stud Couplings



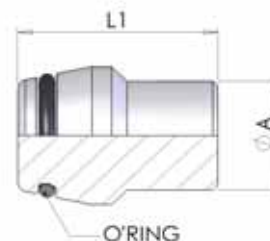
Filettatura / Thread:

BSPT (UNI ISO 228)

PN	part number (body only)	Ø tube		Thread	Dimensions						
		mm	inch		F	CH1	CH2	L1	L2		
640	7250-13GR-1	13,25	1/4"	1/4"	22	24	41	19			
	7250-13GR06-1			3/8"	22	24	41	19			
	7250-13GR08-1			1/2"	27	24	43	21			
400	7250-17GR-1	16,75	3/8"	3/8"	27	30	42	19			
	7250-17GR08-1			1/2"	27	30	44	21			
400	7250-21GR-1	21,25	1/2"	1/2"	32	36	47	23			

7290 Tappo con O-Ring

Pipe plug with O-Ring seal



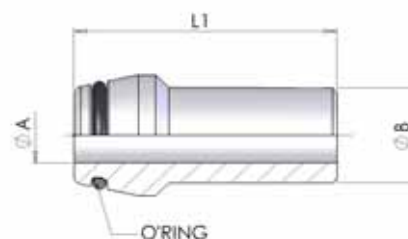
PN	part number	Ø tube (ØA)		Dimensions		
		mm	inch	* O'Ring	L1	
640	7290-13G	13,25	1/4"	11 x 2	21	
400	7290-17G	16,75	3/8"	14 x 2	23	
400	7290-21G	21,25	1/2"	18 x 2,5	28	
320	7290-27G	26,75	3/4"	24 x 2,5	28	
250	7290-34G	33,50	1"	30 x 2,5	29	
160	7290-42G	42,25	1.1/4"	38 x 2,5	30	

* - Gamma di temperature senza riduzioni di pressione con i raccordi con guarnizioni O.Ring in NBR (di serie) e FPM (su richiesta): NBR (Perbunan): da -35° a +100°C - FPM (Viton): da -25° a +120°C

* - Temperature range without pressure reductions with connections fitted with O.Ring in NBR (standard) and FPM (to order): NBR(Perbunan): from -35° to +100°C - FPM (Viton): from -25° to +120°C

7280 Ogiva a saldare con O-Ring

Welding Nipples with O-Ring Seal



PN	part number	Ø tube (ØB)		Dimensions		
		mm	inch	* O'Ring	L1	A
640	7280-13G	13,25	1/4"	11 x 2	40	7
400	7280-17G	16,75	3/8"	14 x 2	42	10,5
400	7280-21G	21,25	1/2"	18 x 2,5	48	13,5
320	7280-27G	26,75	3/4"	24 x 2,5	51	18,5
250	7280-34G	33,50	1"	30 x 2,5	59	24
160	7280-42G	42,25	1.1/4"	38 x 2,5	66	32,5

* - Gamma di temperature senza riduzioni di pressione con i raccordi con guarnizioni O.Ring in NBR (di serie) e FPM (su richiesta): NBR (Perbunan): da -35° a +100°C - FPM (Viton): da -25° a +120°C

* - Temperature range without pressure reductions with connections fitted with O.Ring in NBR (standard) and FPM (to order): NBR(Perbunan): from -35° to +100°C - FPM (Viton): from -25° to +120°C

