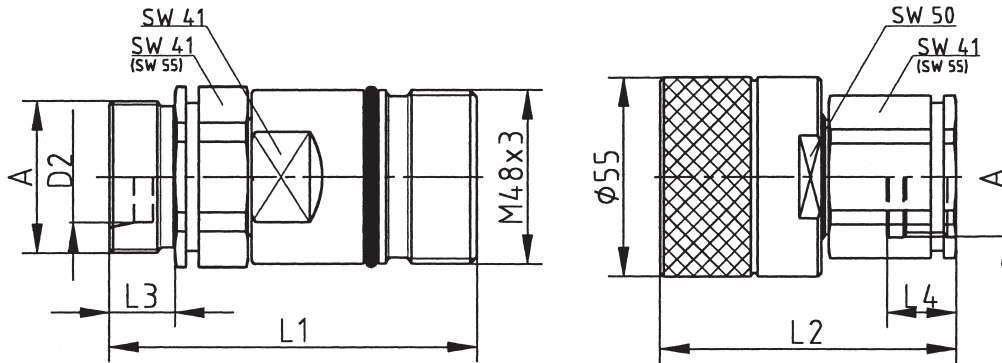


Rychlospojky šroubovací – pracovní tlak 400 bar

HS 20

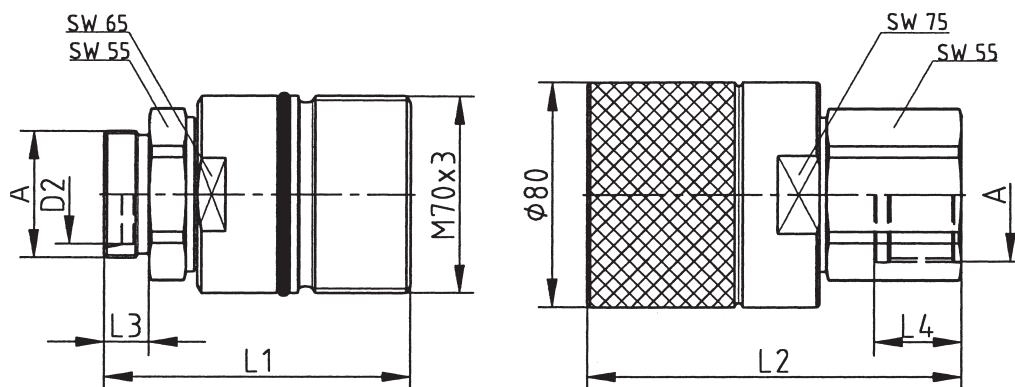


Metrický závit

SAMICE obj. číslo	SAMEC obj. číslo	závit	L1	L2	L3
HS201-L2836	HS20-L-2836	M36x2	97,0	80,0	14,0

BSP

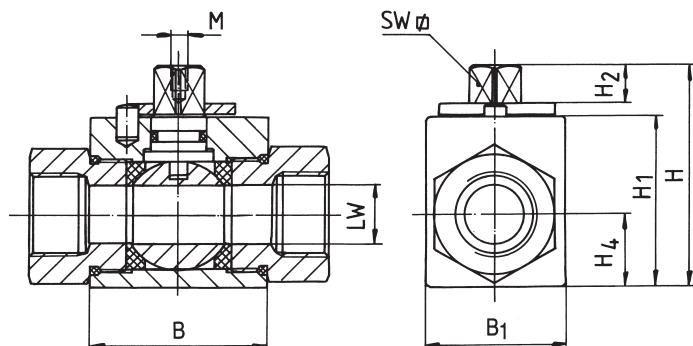
SAMICE obj. číslo	SAMEC obj. číslo	závit	L1	L2	L4
HS20-1-IGF12	HS20-2-IGF12	G3/4"	99,0	82,0	19,0
HS20-1-IGF16	HS20-2-IGF16	G1"	99,0	82,0	19,0


BSP

SAMICE obj. číslo	SAMEC obj. číslo	závit	L1	L2	L4
HS25-1-IGF20	HS25-2-IGF20	G1.1/4 ^{cc}	126,0	131,0	29,0
HS25-1-IGF24	HS25-2-IGF24	G1.1/2 ^{cc}	128,0	133,0	31,0

KULOVÉ VENTILY:

Kulové ventily – dvoucestné



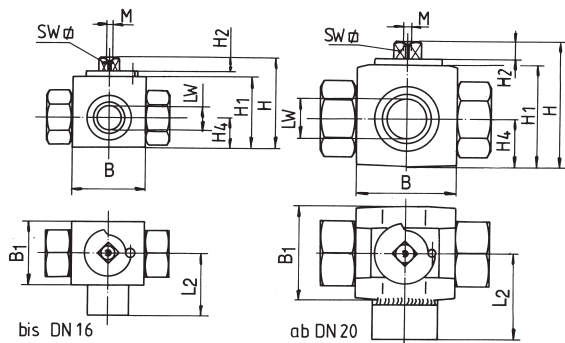
BSP vnitřní

Obj. číslo	závit	bar	L	L ₁	B	B ₁	H	H ₁	H ₂	H ₄	SW
6BK1/4"-1113	G1/4"	500	69,0	12,0	36,0	26,0	43,5	32,0	8,0	13,0	9,0
6BK3/8"-1113	G3/8"	500	69,0	12,0	36,0	26,0	43,5	32,0	8,0	13,0	9,0
6BK1/2"-1113	G1/2"	500	85,0	14,0	48,0	35,0	51,0	40,0	8,0	17,5	9,0
6BK5/8"-1113	G5/8"	500	84,0	14,0	48,0	38,0	62,0	46,0	12,0	19,0	12,0
6BK3/4"-1113	G3/4"	400	96,0	17,0	62,0	49,0	73,0	57,0	12,0	24,5	14,0
6BK 1"- 1113	G 1"	350	113,0	19,0	66,0	60,0	76,0	60,0	12,0	26,5	14,0
6BK1.1/4"-1113	G1.1/4"	350	121,0	20,0	66,0	60,0	76,0	60,0	12,0	26,5	14,0
6BK1.1/2"-1113	G1.1/2"	350	124,0	24,0	66,0	60,0	76,0	60,0	12,0	26,5	14,0

Metrický závit vnější

Obj. číslo	závit	tlak	L	L ₁	B	B ₁	H	H ₁	H ₂	H ₄	SW
6BK06L - 1113	M12x1,5	500	67,0	10,0	36,0	26,0	43,5	32,0	8,0	13,0	9,0
6BK08L - 1113	M14x1,5	500	67,0	10,0	36,0	26,0	43,5	32,0	8,0	13,0	9,0
6BK10L - 1113	M16x1,5	500	71,0	11,0	36,0	26,0	43,5	32,0	8,0	13,0	9,0
6BK12L - 1113	M18x1,5	500	71,0	11,0	48,0	35,0	51,0	40,0	8,0	17,5	9,0
6BK15L - 1113	M22x1,5	500	84,0	12,0	48,0	35,0	51,0	40,0	8,0	17,5	9,0
6BK18L - 1113	M26x1,5	500	83,0	12,0	48,0	38,0	62,0	46,0	12,0	19,0	12,0
6BK22L - 1113	M30x2	400	102	14,0	62,0	49,0	73,0	57,0	12,0	24,5	14,0
6BK28L - 1113	M36x2	350	108	14,0	66,0	60,0	76,0	60,0	12,0	26,5	14,0
6BK35L - 1113	M45x2	350	114	16,0	66,0	60,0	76,0	60,0	12,0	26,5	14,0

Kulové ventily – třícestné vrtané do „L“



DN	PN ₁	PN ₂	B	B ₁	H	H ₁	H ₂	H ₄	SW
04	400	100	36	26	43,5	32	8	13	9
06	400	100	36	26	43,5	32	8	13	9
08	400	100	36	26	43,5	32	8	13	9
10	400	100	43	32	49	38	8	16,5	9
13	350	100	48	35	51	40	8	17,5	9
16	350	100	48	38	62	46	12	19	12
20	350	70	61	49	73	57	12	24,5	14
25	350	70	65	60	76	60	12	26,5	14
32	350	70	80	76	104	84	13,5	38	17

Obj. číslo	závit	L	L ₁	L ₂
6DBK1/4"-1113L	G1/4"	69,0	12,0	32,0
6DBK3/8"-1113L	G3/8"	69,0	12,0	37,0
6DBK1/2"-1113L	G1/2"	85,0	14,0	37,0
6DBK3/4"-1113L	G3/4"	96,0	17,0	47,0
6DBK 1"- 1113L	G 1"	113,0	19,0	55,0
6DBK1.1/4"-1113L	G1.1/4"	121,0	20,0	55,0
6DBK1.1/2"-1113L	G1.1/2"	120,0	24,0	72,0

Obj. číslo	závit	L	L ₁	L ₂
6DBK06L-1113L	M12x1,5	67,0	10,0	32,0
6DBK08L-1113L	M14x1,5	67,0	10,0	32,0
6DBK10L-1113L	M16x1,5	71,0	11,0	32,0
6DBK12L-1113L	M18x1,5	71,0	11,0	32,0
6DBK12L-1113L	M22x1,5	84,0	12,0	42,0
6DBK18L-1113L	M26x1,5	83,0	12,0	43,0
6DBK22L-1113L	M30x2	102,0	14,0	47,0
6DBK28L-1113L	M36x2	108,0	14,0	55,0
6DBK35L-1113L	M45x2	128,0	16,0	69,0

Poznámky:

Poznámky: